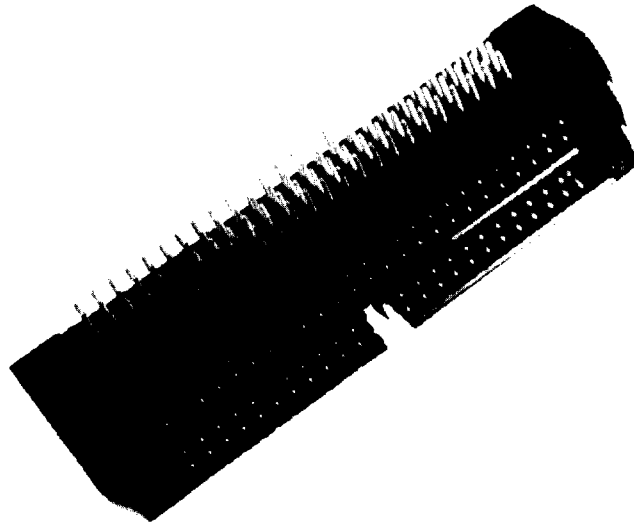


DUAL ENTRY HEADER



This CTS header mates with two socket-type insulation-displacement connectors. It will accept all I.D.C. sockets with bump polarizing and is available with or without latch ears of various lengths to lock the mating connectors together. The stacked dual entry header solves land area problems and reduces the number of individual headers required.

FEATURES and BENEFITS:

- ▶ High density
- ▶ Cost savings
- ▶ 2 cables at single exit point
- ▶ Phosphor bronze contacts
- ▶ Glass filled thermoplastic
- ▶ UL 94 V-O material

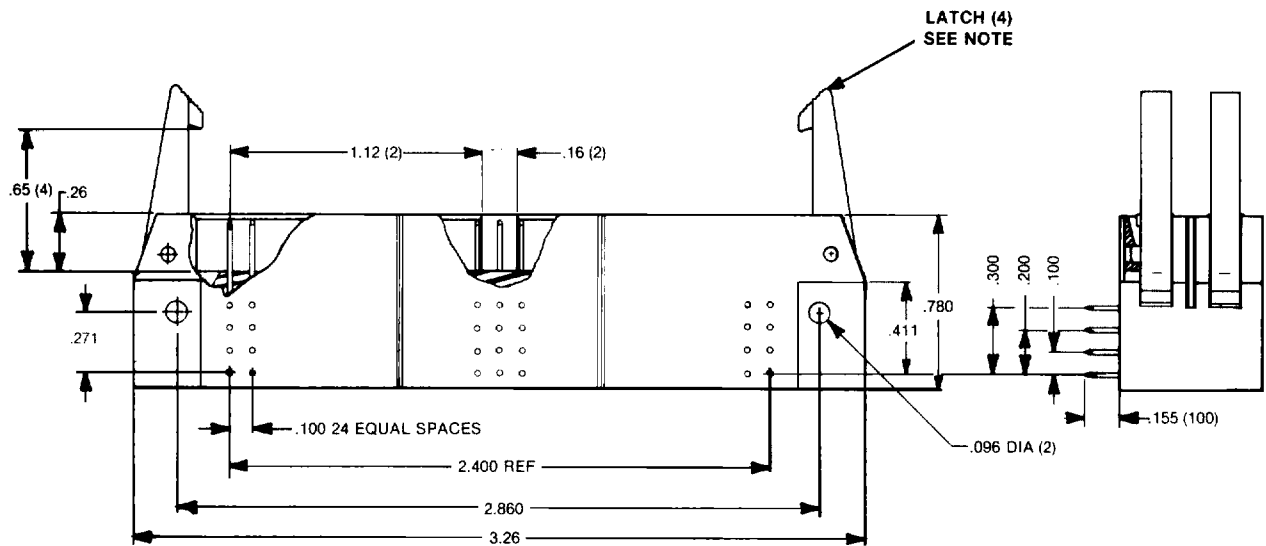
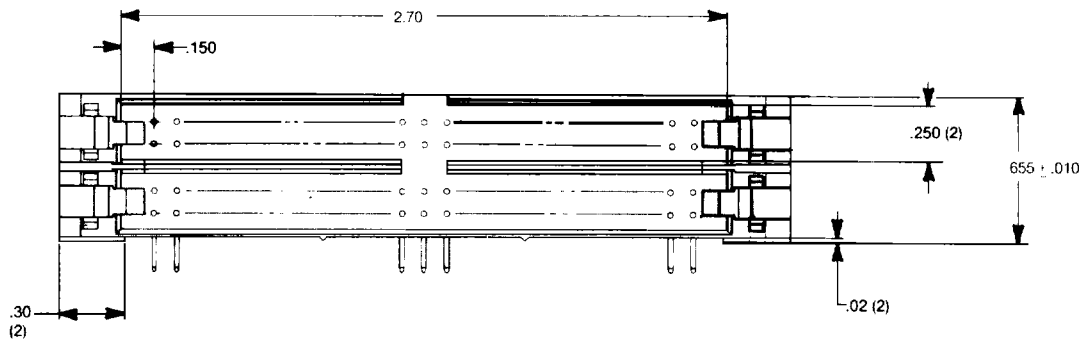
CTSCS049

CTS Corporation, Connector Division

9210 Science Center Drive New Hope, MN 55428

dba CTS ELECTRONICS CORPORATION

Phone (612) 533-3533
FAX (612) 536-0349
TWX 910-576-2717



NOTE:
 PART NUMBER 200896-01 WITHOUT LATCH EARS
 PART NUMBER 200896-02 WITH LATCH EARS

I. MATERIAL:

- A. INSULATOR—POLYESTER BLEND, 30% GLASS FIBER REINFORCED (VALOX), COLOR-BLACK.
- B. CONTACT—PHOSPHOR BRONZE PER QQ-W-321, ALLOY 510, COMPOSITION A.
- I. FINISH—NICKEL PLATE ENTIRE CONTACT .000050 MINIMUM THICK PER QQ-N-290. ONE END, GOLD PLATE .000030 MINIMUM THICK PER MIL-G-45204, TYPE II, CLASS Ø. OPPOSITE END TO BE SOLDERABLE TIN PLATED .000100 MINIMUM THICK PER MIL-T-10727.