

DESCRIPTION/APPLICATION

This family of phenolic blocks is ideal for high temperature applications. The rugged material withstands temperatures up to 302° F (150° C).

DESIGN ADVANTAGES




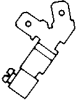
- Quick-connect contact sections available - accept female 1/4 inch (6.3mm) quick-connect terminals.
- Broad wire range - accept single or combination of AWG sizes #22 up to #8 solid or stranded, depending on contact style selected.
- 20 to 50 amperes rating per circuit, depending on contact style selected - see selector chart for specific ratings.
- Surface mounted flat base and channel mounted dovetail base models available.
- Packaged for rapid handling and assembly - Snap-fit sections are packed 100 per carton.
- Only one end section needed per block assembly.
- Fanning Strips - interlocking sectional fanning strips allow entire circuit groups to be connected and disconnected as a single unit.
- Select any of five contact styles - including two types of quick connect sections.
- Readily identify circuits - blocks available with painted marking surface or use removable vinyl marking strip. Preprinted marking strips are also available.
- Factory assembled blocks available.
- Medium Duty phenolic block sections snap-fit with 300 & 600V nylon and poly., Heavy Duty, Intermediate Heavy Duty, and Fuse and Switch blocks.

500 SERIES MEDIUM DUTY PHENOLIC

**BUCHANAN®**

500 SERIES 300 V PHENOLIC 0.44" PITCH HIGH TEMPERATURE



CHARACTERISTICS	STRAP SCREW	TUBULAR SCREW	TUBULAR CLAMP	QUICK CONNECT
Type of Block	Model	Model	Model	Model
Direct Mount (Flat Base)				
Painted	521-BU	524	525	527
Unpainted	511-BU	514	515-BU	517
Channel Mount (Dovetail Base)				
Painted	0521	0524	0525	0527
Unpainted	0511	0514	0515	0517
Contact Type				
				
Specifications				
Wire Range (AWG) Solid & Stranded	22-10	18-8	22-10	22-12
Wire Strip Length (in.)	—	11/32	11/32	—
Screw Type	6-32 slotted binding head	10-32 slotted pan head	10-32 slotted pan head	—
Ampacity	35 A	50 A	30 A	20 A
End Sections				
Direct Mount	530-BU	530-BU	530-BU	530-BU
Channel Mount	0530	0530	0530	0530

NOTE: Standard package is 100 pieces for contact and 25 pieces for end sections.

NOTES:

For factory assembled blocks, suffix catalog number with number of blocks desired. (Maximum number of flat base preassembled sections is 12).

Example: Twenty-five sections of tubular clamp sections preassembled on channel = 051525

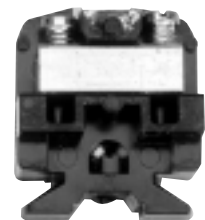
For unpainted factory assembled blocks supplied with a removable marking strip add — 1 to catalog number.

For blocks with two or more different contact sections, imprinted marking strips, or special features, consult factory.

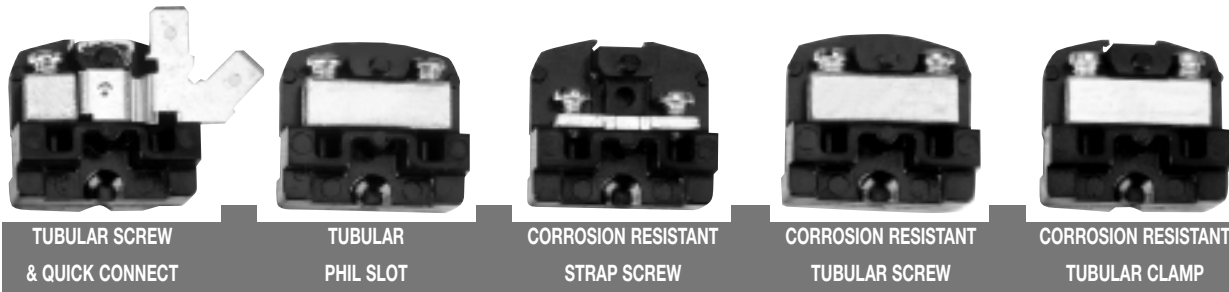
Comparison (Type of Block)



Direct Mount
(Flat Base)



Channel Mount
(Dovetail Base)



Model	Model	Model	Model	Model
529	524PS	D521	D524	D525
519	514PS	D511	D514	D515
0529	0524PS	D0521	D0524	D0525
0519	0514PS	D0511	D0514	D0515
Contact Type				
18-8 & 22-12	18-8	22-10	18-8	22-10
—	—	—	11/32	11/32
—	—	6-32 Nickel plated Slotted Binding Head	10-32 Nickel plated Slotted Pan Head	10-32 Nickel plated Slotted Pan Head
20 A	50 A	35 A	50 A	30 A
530-BU	530-BU	530-BU	530-BU	530-BU
0530	0530	0530	0530	0530

NOTE: Standard package is 100 pieces for contact and 25 pieces for end sections.

Ordering Information

CATALOG #	DESCRIPTION	STANDARD PACKAGE
54-BU	Tubular Screw	50
58	Strap Screw	50
54100	Molding Only, no contact	50



NOTES:










For factory assembled fanning strips, suffix catalog number with number desired











Example: Ten factory assembled sections of #58 = 5810

BUCHANAN®



500 SERIES ACCESSORIES

CHANNEL CLAMPS AND ACCESSORIES				JUMPERS				
								
STEEL CHANNEL	BREAK AWAY STEEL	PRE-PUNCHED ALUMINUM CHANNEL	ELEVATED ALUMINUM CHANNEL	SCREW CHANNEL CLAMPS	UNIVERSAL CLAMPS	SNAP-IN CLAMPS	SEE-THRU COVER	GANGING ROD
Catalog Number								
60 63-BU	60-B-36	64 67	60-SO	61	68	62	57	30-BU
Standard Package								
6 feet 3 feet	3 feet	6 feet 3 feet	6 feet	100	100	100	50	2 feet

MOUNTING CHANNEL				MARKING ACCESSORIES					
									
JUMPER FOR TUBULAR CONTACTS	SNAP-APART SPADE JUMPER	SNAP-APART FLANGED JUMPER	SNAP-APART RING TONGUE JUMPER	PLASTIC CLOTH TAPE	PLASTIC CLOTH TAPE	VINYL MARKING STRIPS	ELEVATED MARKING STRIP	NYLON HOLDING PLUG	MARKING PEN
Catalog Number									
40-BU	J7140	J7240	J7340	66	55-BU	50-BU	52-BU	65-BU	99-BU
Standard Package									
100	40 ckt	40 ckt	40 ckt	1 sheet	50 feet	25 feet	18 inches	100	12

500 SERIES TECHNICAL DATA

Voltage Rating: Blocks meet 300 volt creepage and clearance requirements of NEMA, UL, and CSA for general industrial control equipment and panel boards. Withstand voltages greatly in excess of IEEE switchgear standards for 750 volts. Quick connect Blocks retain 300V rating with insulated female quick connects.

Housing:

MATERIAL: Phenolic; Filled, flame retardant

MAXIMUM SERVICE TEMP.: 150°C (302°F)

BREAKDOWN VOLTAGE AC, 60Hz

Contact to Contact: 6,600V (3,800V w/ Quick Connect)

Contact to Ground: 9600V

DIELECTRIC STRENGTH: 300 Volts/mil thickness per ASTM D149 (25°C-RH40% at Sea Level)

UL HIGH VOLTAGE ARC TRACKING TEST

(INCHES/MIN.): .49-.58

WATER ABSORPTION (24 HRS. % WT. GAIN): 0.45% per ASTM D570

FLAMMABILITY: UL94V-1

CHEMICAL RESISTANCE: Resistant to acids, alkalines, and aliphatic hydrocarbons and ketones, per ASTM D543.

RADIATION RESISTANCE (ERGS G-1 (C)): 2.7 x 10⁸

COLOR: Black

Standard Contacts

Electrical grade copper or copper alloy conductor. Steel Screws. Tube and screws are plated to resist corrosion in most industrial applications.

Environmental Contacts

(for highly corrosive atmospheres)

TUBULAR SCREW: Electrical grade copper tube with nickel plating. Nickel plated brass screws.

STRAP SCREW: Nickel plated brass straps and screws. Nickel plating exceeds specification QQ-N-290 Class I, Type VII. Maximum Width of Lugs is 5/16"

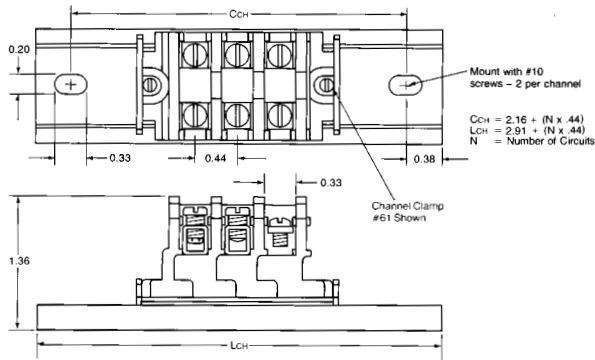


Group Circuits with Interlocking Fanning Strips

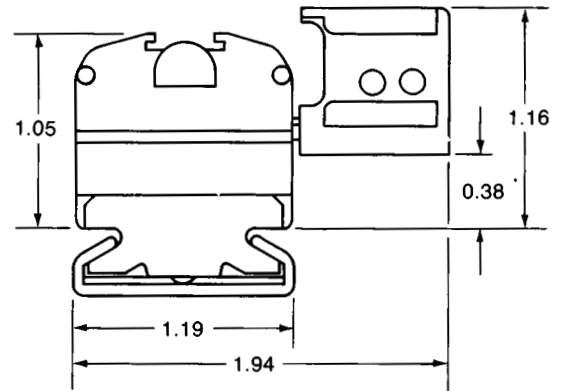


**500 SERIES
300 VOLT**

DOVETAIL BASE MOUNTED ON STANDARD #60 CHANNEL



SECTIONAL FANNING STRIPS



FLAT BASE (DIRCT MOUNT)

