

MAX solutions

MILL-MAX SURFACE MOUNT PIN RECEPTACLES

Thank you for your inquiry regarding Mill-Max surface mount pin receptacles. For your evaluation, we have attached a sample of a surface mount receptacle (P/N 3907-0-18-01-30-27-10-0).

Pin receptacles are individual component lead sockets primarily used for plugging and unplugging of components on pc boards. They are made by press-fitting a pre-tooled "multi-finger" contact into a precision machined shell.

Surface mount receptacles can be supplied on tape per EIA-481 for automated assembly with industry standard "pick and place" machines.

All receptacles utilize "multi-finger" beryllium copper inner contacts renowned for their greater compliancy and proven reliability.

Receptacles are available with various plating combinations: gold or tin contact and shell or the economy of selective plating with a gold contact in a tin shell.

Should you require additional information or samples of our many other receptacles, pins and terminals, please call our application engineers at (516) 922-6000.



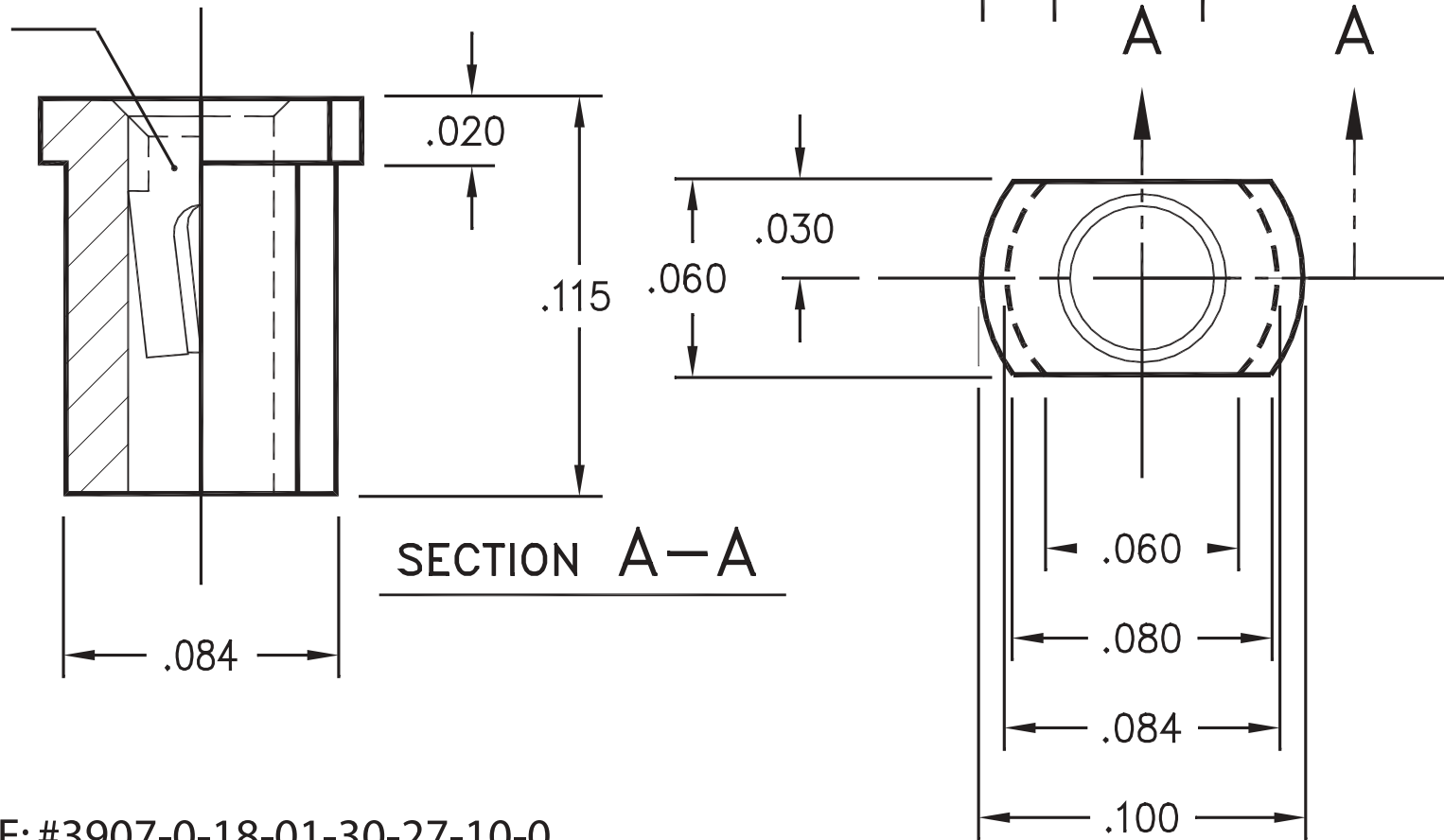
(11/01 -- 496D, 488, 491)

Mill-Max Mfg. Corp. • 190 Pine Hollow Road, Oyster Bay, NY 11771-0300
516-922-6000 • Fax: 516-922-9253 • www.mill-max.com



REV	DATE	DESCRIPTION
-----	------	-------------

MILL-MAX
TYPE #30
CONTACT




RECEPTACLE: #3907-0-18-01-30-27-10-0

ON TAPE & REEL: #S739-93-001-30-070000 (4,000 PER 13" REEL)

NOTES:

1. SHELL MATERIAL: BRASS ALLOY 360, 1/2 HARD.
2. SHELL FINISH: 200 μ " TIN OVER NICKEL.
3. CONTACT MATERIAL: BERYLLIUM COPPER ALLOY 172, HEAT TREATED.
4. CONTACT FINISH: 30 μ " GOLD OVER NICKEL.

	MILL-MAX[®] MFG. CORP. P.O. BOX 300, 190 PINE HOLLOW RD, OYSTER BAY, N.Y. 11771-0300 TEL: (516) 922-6000 FAX: (516) 922-9253					
	SCALE	DATE	DRAWN	CHECKED	ENG. APPROVAL	DATE
DIMENSIONS IN INCHES	N/S	3/5/97	D.M.			
PIN TOLERANCES:	TITLE					
LENGTHS \pm .005	SURFACE MOUNT RECEPTACLE					
DIAMETERS \pm .002	CUSTOMER APPROVAL		DATE	PROPOSAL NUMBER	REV	
ANGLES \pm 2°				MM5	-	