
120mA LDO REGULATOR

NO.EA-074-0606

OUTLINE

The R1140Q Series are CMOS-based voltage regulator ICs with high output voltage accuracy, low supply current, low ON-resistance, and high ripple rejection. Each of these voltage regulator ICs consists of a voltage reference unit, an error amplifier, resistors for setting Output Voltage, a current limit circuit, and a chip enable circuit.

These ICs perform with low dropout voltage and a chip enable function. The line transient response and load transient response of the R1140Q Series are excellent, thus these ICs are very suitable for the power supply for hand-held communication equipment.

The output voltage of these ICs is internally fixed with high accuracy. Since the package for these ICs is SC-82AB (Super Mini-mold) package, high density mounting of the ICs on boards is possible.

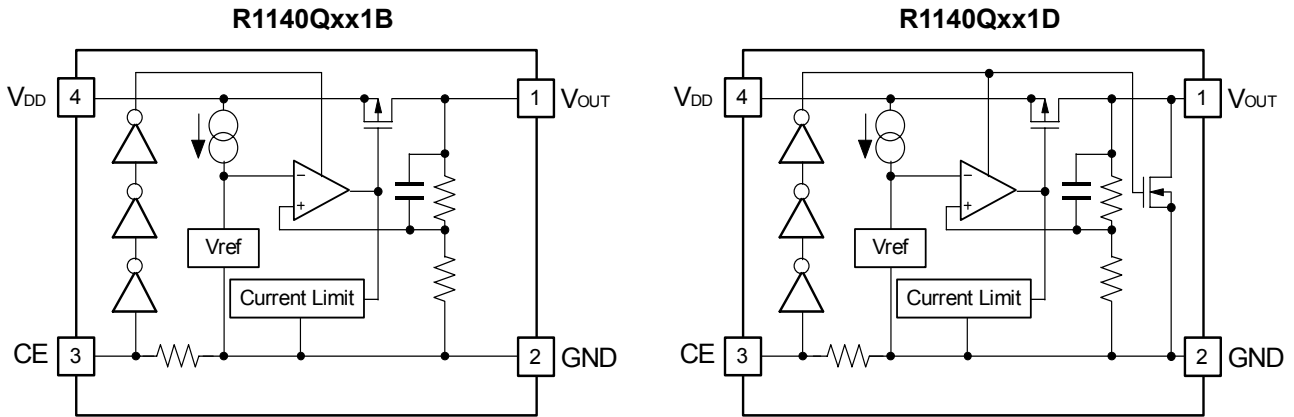
FEATURES

- Ultra-Low Supply Current..... Typ. 75 μ A
- Standby Mode Typ. 0.1 μ A
- Low Dropout Voltage..... Typ. 0.15V ($I_{OUT}=100\text{mA}$, Output Voltage=3.0V Type)
- High Ripple Rejection Typ. 75dB (f=1kHz)
- Low Temperature-Drift Coefficient of Output Voltage... Typ. $\pm 100\text{ppm}/^\circ\text{C}$
- Excellent Line Regulation Typ. 0.05%/V
- High Output Voltage Accuracy $\pm 2.0\%$
- Output Voltage Range..... 1.5V to 4.0V
- Excellent Dynamic Response
- Small Package SC-82AB (Super Mini-mold)
- Built-in Chip Enable Circuit (B/D : active high)
- Built-in Fold-back Protection Circuit..... Typ. 40mA (Current at short mode)

APPLICATION

- Power source for cellular phones such as GSM, CDMA and various kinds of PCS.
- Power source for electrical appliances such as cameras, VCRs and camcorders.
- Power source for battery-powered equipment.

BLOCK DIAGRAMS



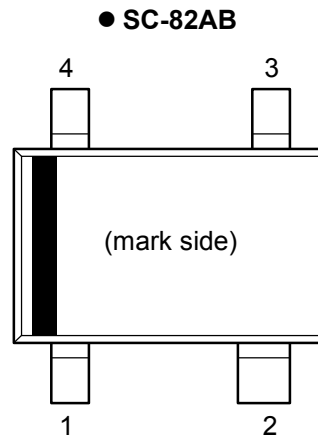
SELECTION GUIDE

The output voltage, mask option, and the taping type for the ICs can be selected at the user's request. The selection can be made by designating the part number as shown below;:

R1140Qxx1x-xx-X ← Part Number
 ↑ ↑ ↑ ↑ ↑
 a b c d e

| Code | Contents |
|------|---|
| a | Designation of Package Type Q: SC-82AB (Super Mini-mold) |
| b | Setting Output Voltage (V _{OUT}): Stepwise setting with a step of 0.1V in the range of 1.5V to 4.0V is possible. |
| c | Designation of Mask Option : B: Without auto discharge function at OFF state. D: With auto discharge function at OFF state. |
| d | Designation of Taping Type : Ex. TR, TL (refer to Taping Specifications; TR type is the standard direction.) |
| e | Designation of composition of pin plating -F : Leed free plating |

PIN CONFIGURATION



PIN DESCRIPTION

| Pin No | Symbol | Pin Description |
|--------|-----------|-----------------|
| 1 | V_{OUT} | Output Pin |
| 2 | GND | Ground Pin |
| 3 | CE | Chip Enable Pin |
| 4 | V_{DD} | Input Pin |

ABSOLUTE MAXIMUM RATINGS

| Symbol | Item | Rating | Unit |
|-----------|------------------------------|------------------------|------|
| V_{IN} | Input Voltage | 6.5 | V |
| V_{CE} | Input Voltage (CE Pin) | -0.3 to $V_{IN} + 0.3$ | V |
| V_{OUT} | Output Voltage | -0.3 to $V_{IN} + 0.3$ | V |
| I_{OUT} | Output Current | 140 | mA |
| P_D | Power Dissipation (SC-82AB)* | 380 | mW |
| T_{opt} | Operating Temperature Range | -40 to 85 | °C |
| T_{stg} | Storage Temperature Range | -55 to 125 | °C |

*) For Power Dissipation, please refer to PACKAGE INFORMATION to be described.

ELECTRICAL CHARACTERISTICS

• R1140Qxx1B/D

T_{opt}=25°C

| Symbol | Item | Conditions | Min. | Typ. | Max. | Unit |
|--------------------------------------|---|--|----------------------------|------|----------------------------|------------|
| V _{OUT} | Output Voltage | V _{IN} =Set V _{OUT} +1.0V 1mA ≤ I _{OUT} ≤ 30mA | V _{OUT} × 0.98 | | V _{OUT} × 1.02 | V |
| I _{OUT} | Output Current | V _{IN} -V _{OUT} =1.0V | 120 | | | mA |
| ΔV _{OUT} /ΔI _{OUT} | Load Regulation | V _{IN} =Set V _{OUT} +1.0V 1mA ≤ I _{OUT} ≤ 120mA | | 12 | 40 | mV |
| V _{DIF} | Dropout Voltage | Refer to the ELECTRICAL CHARACTERISTICS by OUTPUT VOLTAGE | | | | |
| I _{SS} | Supply Current | V _{IN} =Set V _{OUT} +1.0V | | 75 | 150 | μA |
| I _{standby} | Supply Current (Standby) | V _{IN} =V _{CE} =Set V _{OUT} +1.0V | | 0.1 | 1.0 | μA |
| ΔV _{OUT} /ΔV _{IN} | Line Regulation | Set V _{OUT} +0.5V ≤ V _{IN} ≤ 6.0V I _{OUT} =30mA (In case that V _{OUT} ≤ 1.6V, 2.2V ≤ V _{IN} ≤ 6.0V) | | 0.05 | 0.20 | %/V |
| RR | Ripple Rejection | f=1kHz, Ripple 0.5Vp-p V _{IN} =Set V _{OUT} +1V, I _{OUT} =30mA (In case that V _{OUT} ≤ 1.7V, V _{IN} -V _{OUT} =1.2V) | | 75 | | dB |
| V _{IN} | Input Voltage | | 2.2 | | 6.0 | V |
| ΔV _{OUT} /ΔT _{opt} | Output Voltage Temperature Coefficient | I _{OUT} =30mA -40°C ≤ T _{opt} ≤ 85°C | | ±100 | | ppm/ °C |
| I _{LIM} | Short Current Limit | V _{OUT} =0V | | 40 | | mA |
| R _{PU} | \overline{CE} Pull up resistance | | 1.5 | 4.0 | 16.0 | MΩ |
| V _{CEH} | \overline{CE} Input Voltage "H" | | 1.5 | | V _{IN} | V |
| V _{CEL} | \overline{CE} Input Voltage "L" | | 0.0 | | 0.3 | V |
| en | Output Noise | BW=10Hz to 100kHz | | 30 | | μVrms |
| R _{LOW} | Low Output Nch Tr. ON Resistance (of D version) | V _{CE} =0V | | 70 | | Ω |

• ELECTRICAL CHARACTERISTICS by OUTPUT VOLTAGE

T_{opt} = 25°C

| Output Voltage V _{OUT} (V) | Dropout Voltage V _{DIF} (V) | | |
|--|--------------------------------------|------|------|
| | Condition | Typ. | Max. |
| 1.5V ≤ V _{OUT} ≤ 1.6V | I _{OUT} =120mA | 0.36 | 0.70 |
| 1.7V ≤ V _{OUT} ≤ 1.8V | | 0.30 | 0.50 |
| 1.9V ≤ V _{OUT} ≤ 2.0V | | 0.28 | 0.45 |
| 2.1V ≤ V _{OUT} ≤ 2.7V | | 0.24 | 0.40 |
| 2.8V ≤ V _{OUT} ≤ 4.0V | | 0.18 | 0.30 |

TECHNICAL NOTES

When using these ICs, consider the following points:

Phase Compensation

In these ICs, phase compensation is made for securing stable operation even if the load current is varied. For this purpose, be sure to use a $2.2\mu\text{F}$ or more capacitor C_{OUT} with good frequency characteristics and ESR (Equivalent Series Resistance).

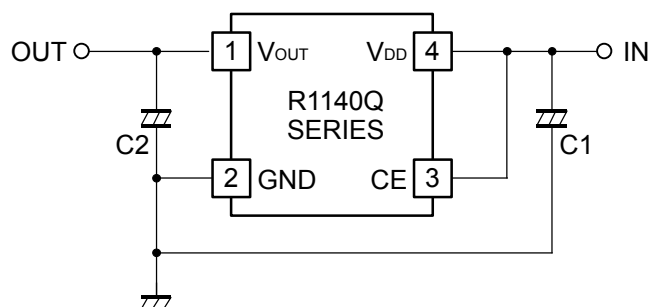
(Note: When the additional ceramic capacitors are connected to the Output Pin with Output capacitor for phase compensation, the operation might be unstable. Because of this, test these ICs with as same external components as ones to be used on the PCB.)

PCB Layout

Make V_{DD} and GND line sufficient. When the impedance of these is high, it would be a cause of picking up the noise or unstable operation. Connect a capacitor with as much as $1.0\mu\text{F}$ capacitor between V_{DD} and GND pin as close as possible.

Set external components, especially output capacitor as close as possible to the ICs and make wiring shortest.

TYPICAL APPLICATION



(External Components)
Output Capacitor; Tantalum Type

TEST CIRCUITS

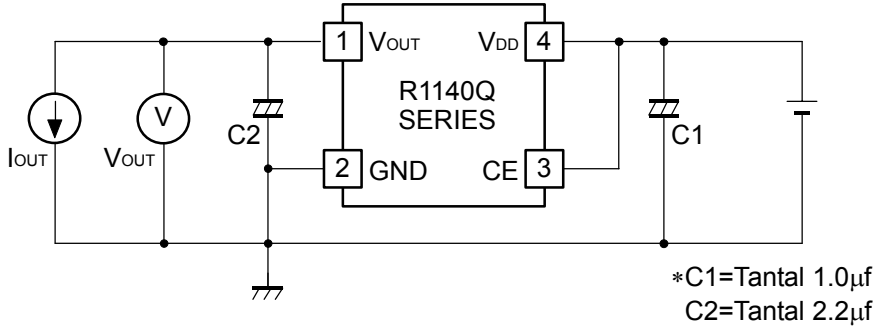


Fig.1 Standard test Circuit

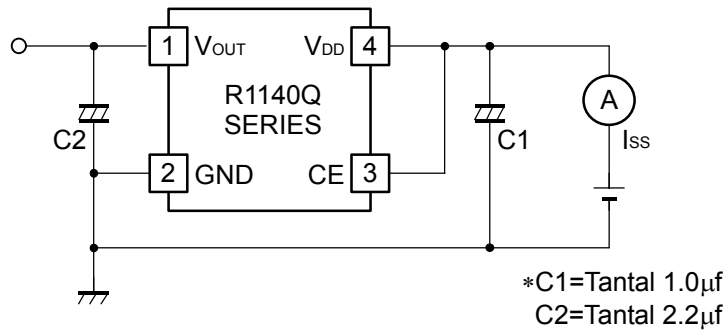


Fig.2 Supply Current Test Circuit

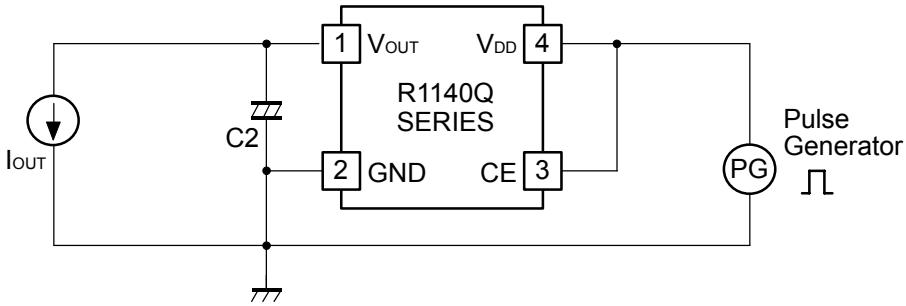


Fig.3 Ripple Rejection, Line Transient Response Test Circuit

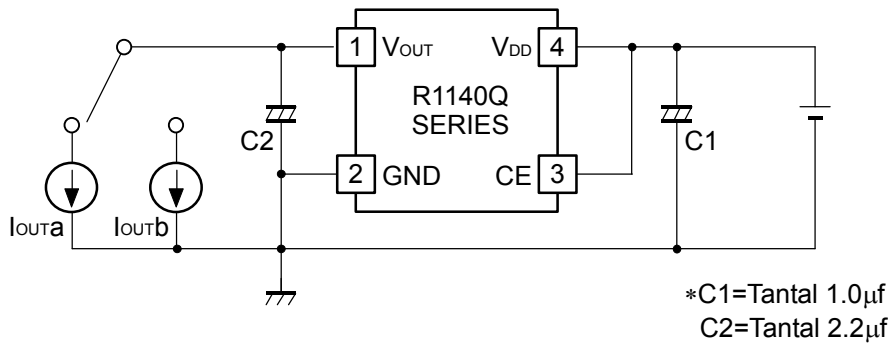
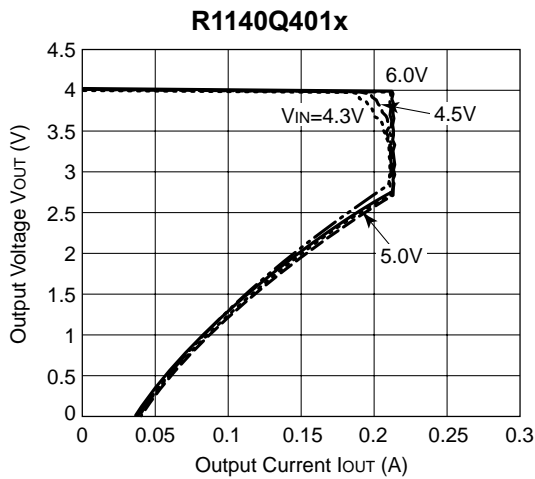
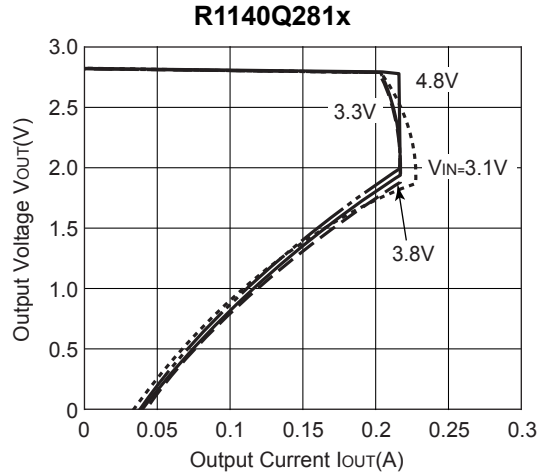
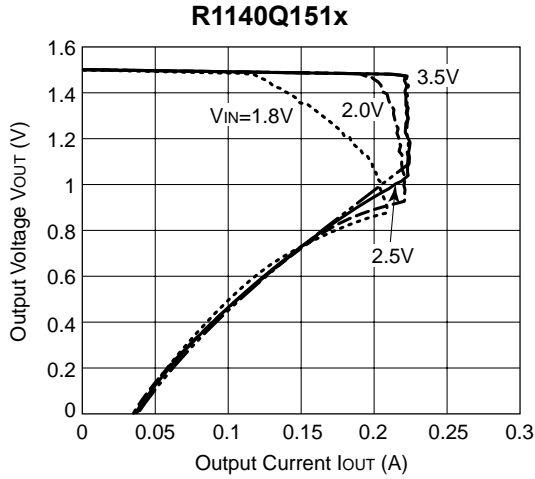


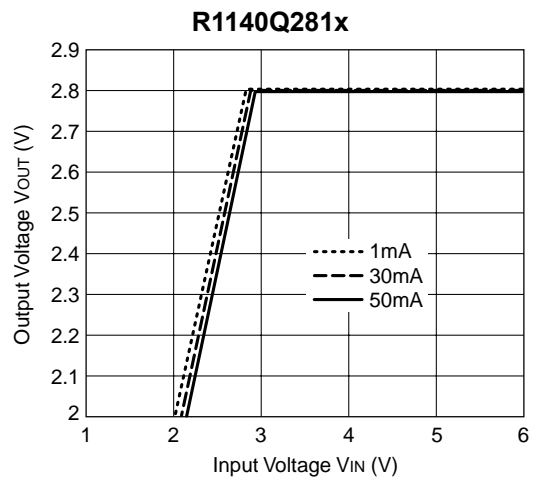
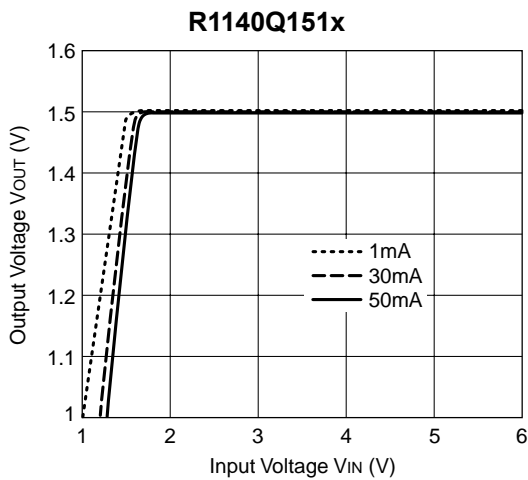
Fig.4 Load Transient Response Test Circuit

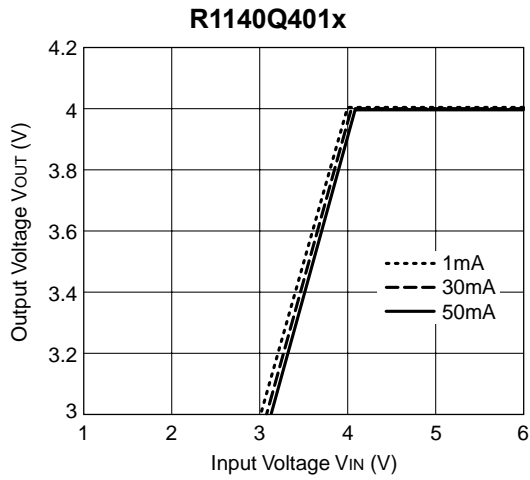
TYPICAL CHARACTERISTICS

1) Output Voltage vs. Output Current

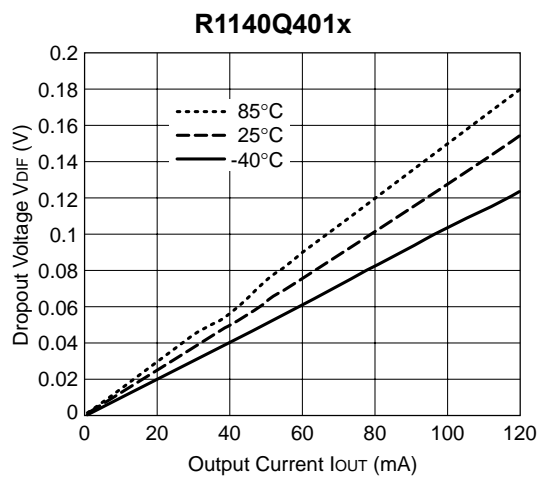
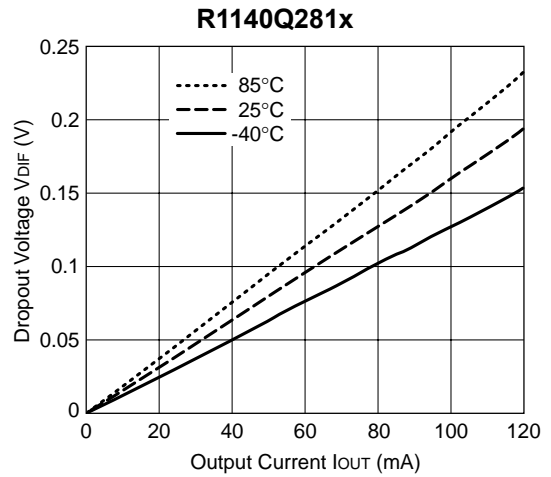
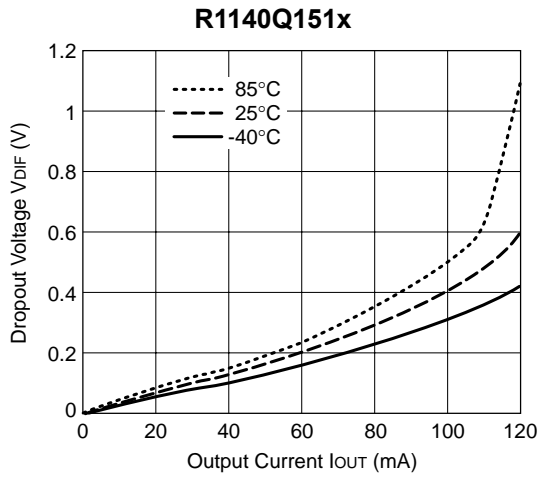


2) Output Voltage vs. Input Voltage

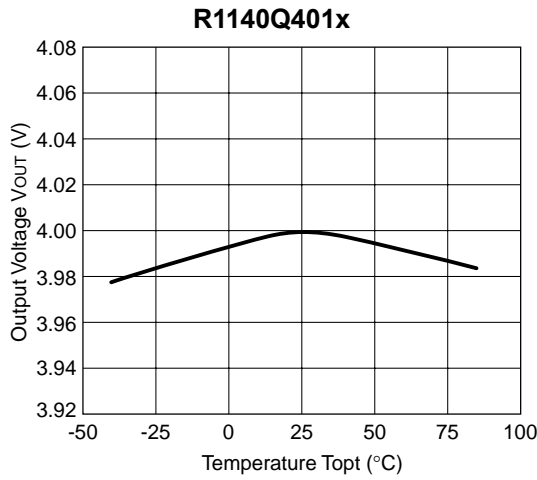
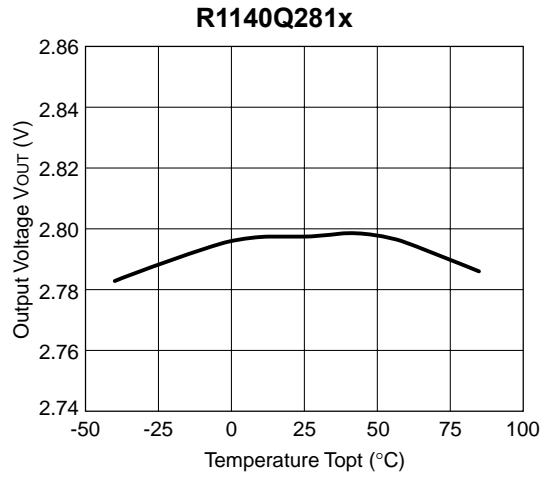
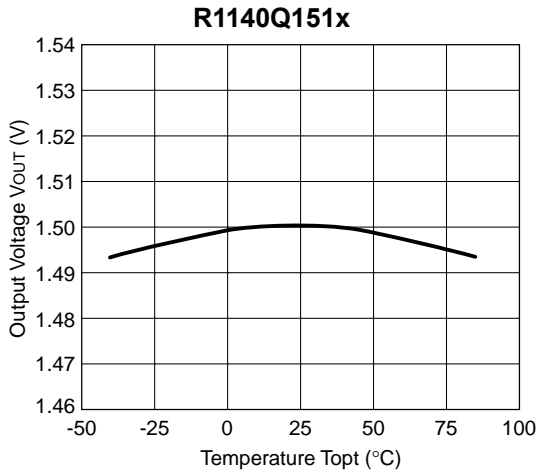




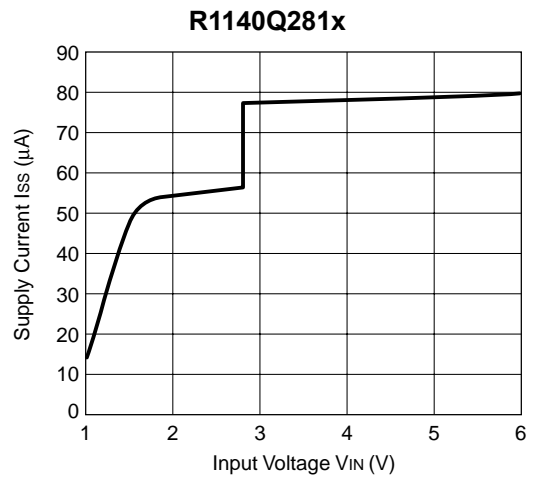
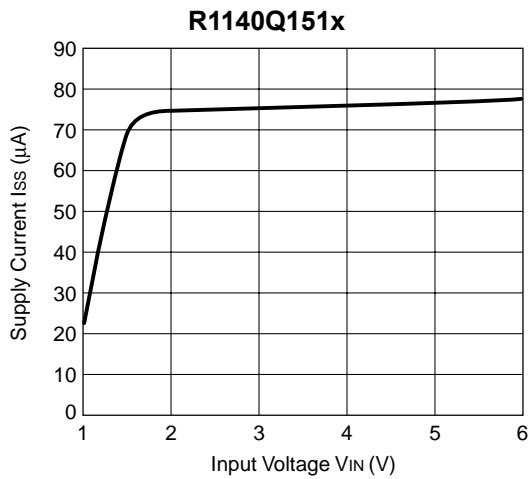
3) Dropout Voltage vs. Output Current



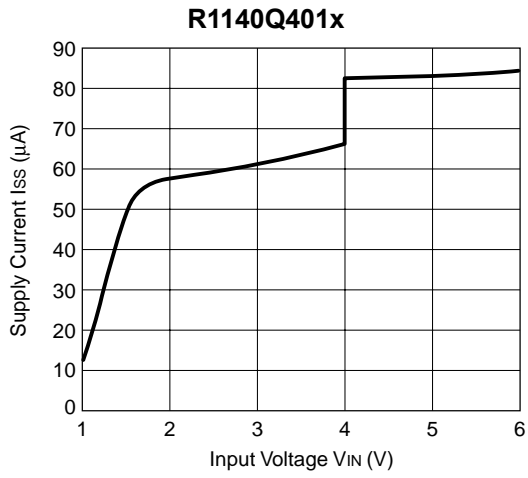
4) Output Voltage vs. Temperature



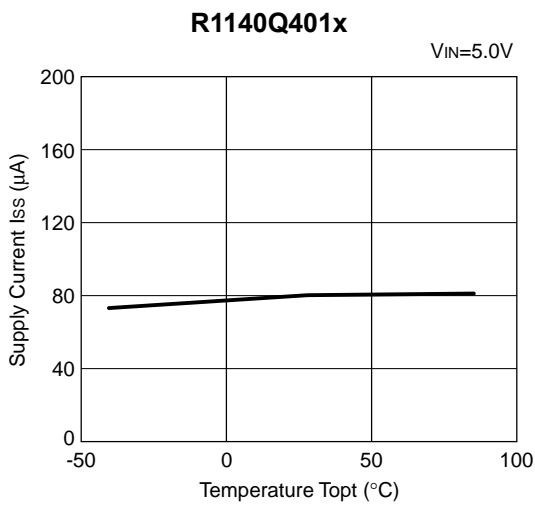
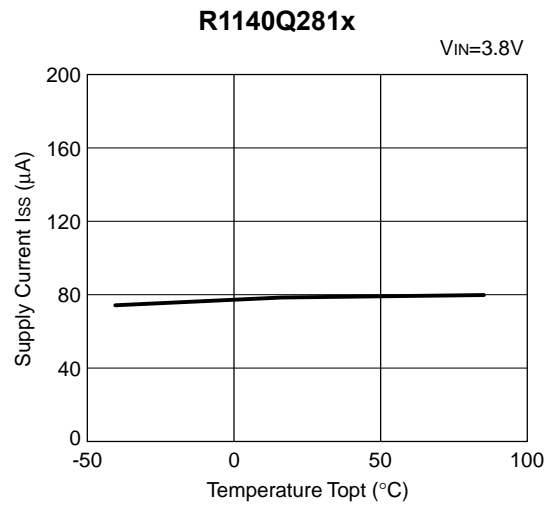
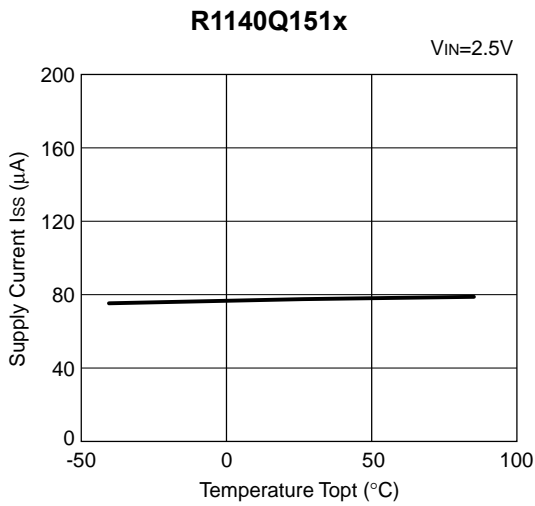
5) Supply Current vs. Input Voltage



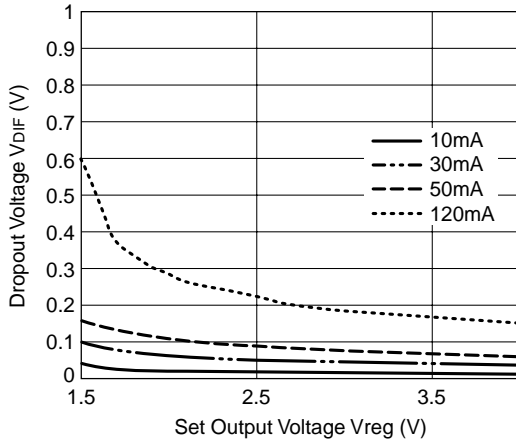
R1140Q



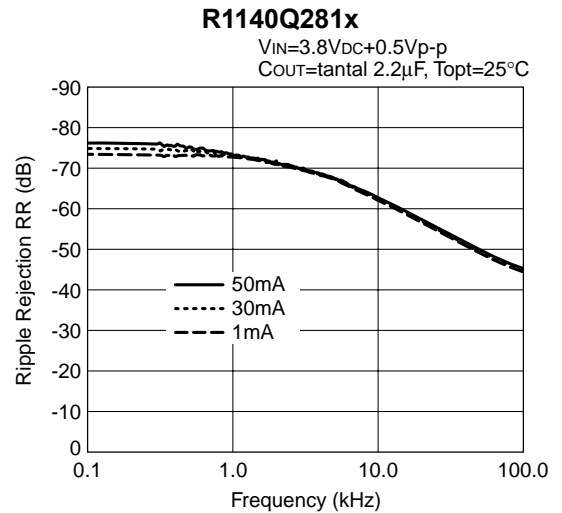
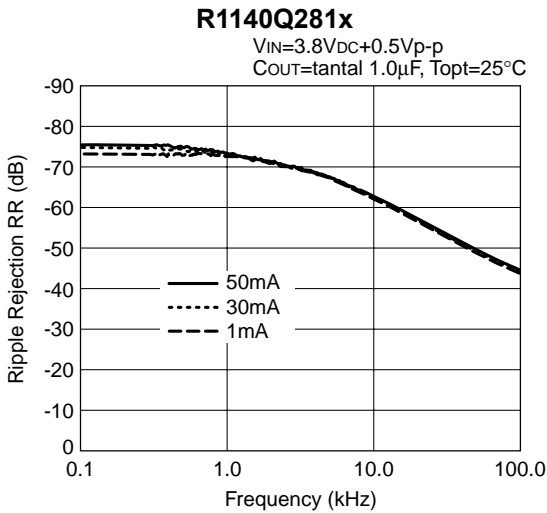
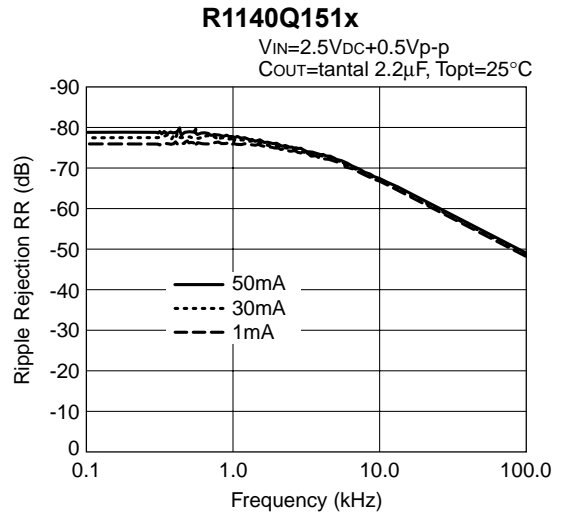
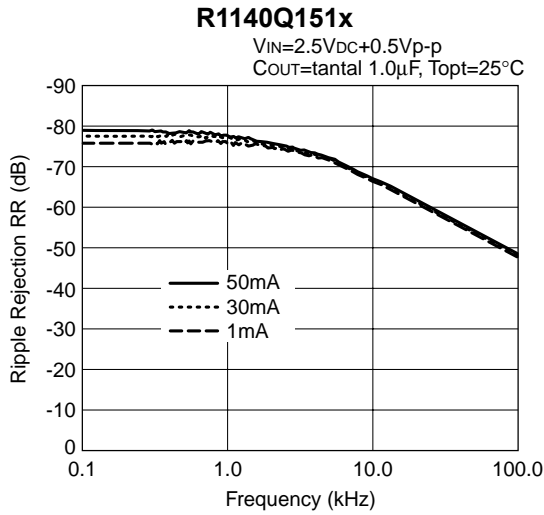
6) Supply Current vs. Temperature

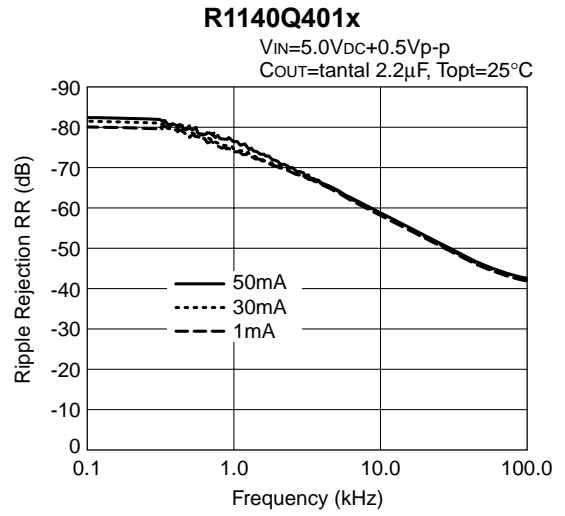
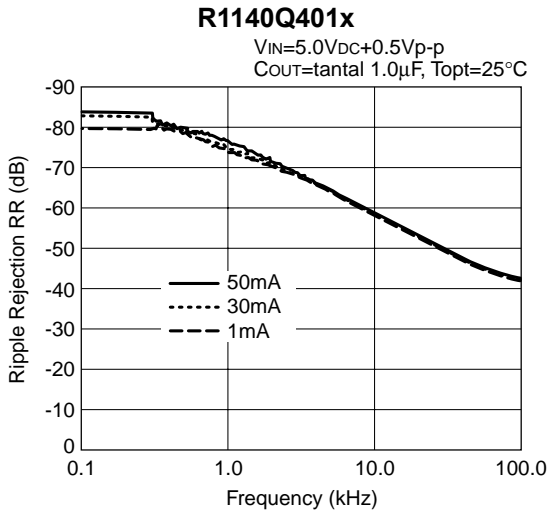


7) Dropout Voltage vs. Set Output Voltage

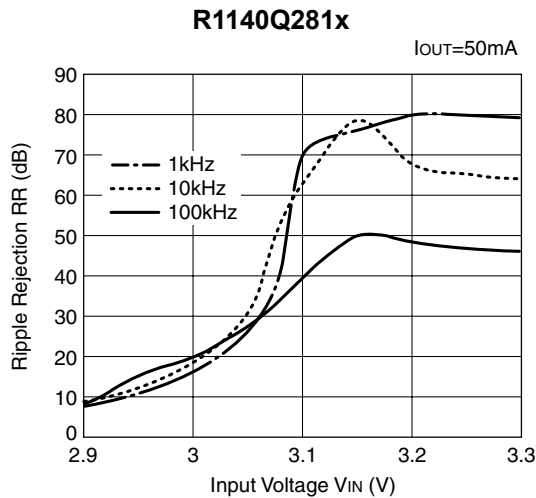
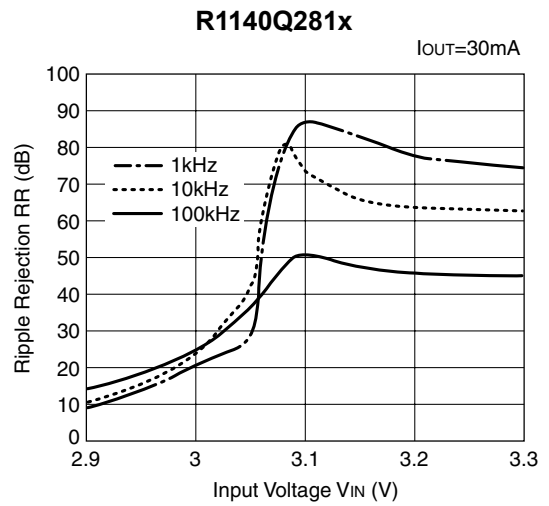
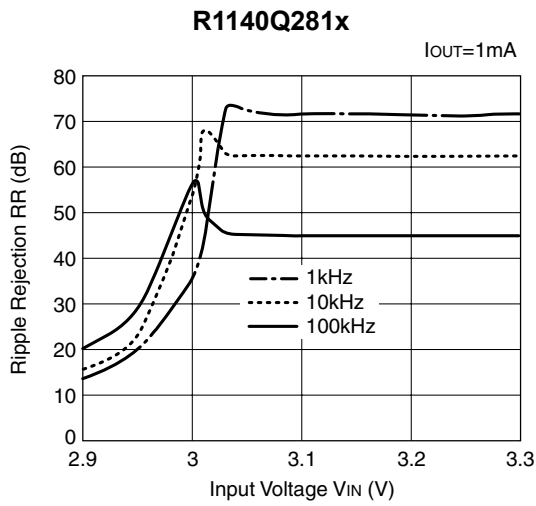


8) Ripple Rejection vs. Frequency





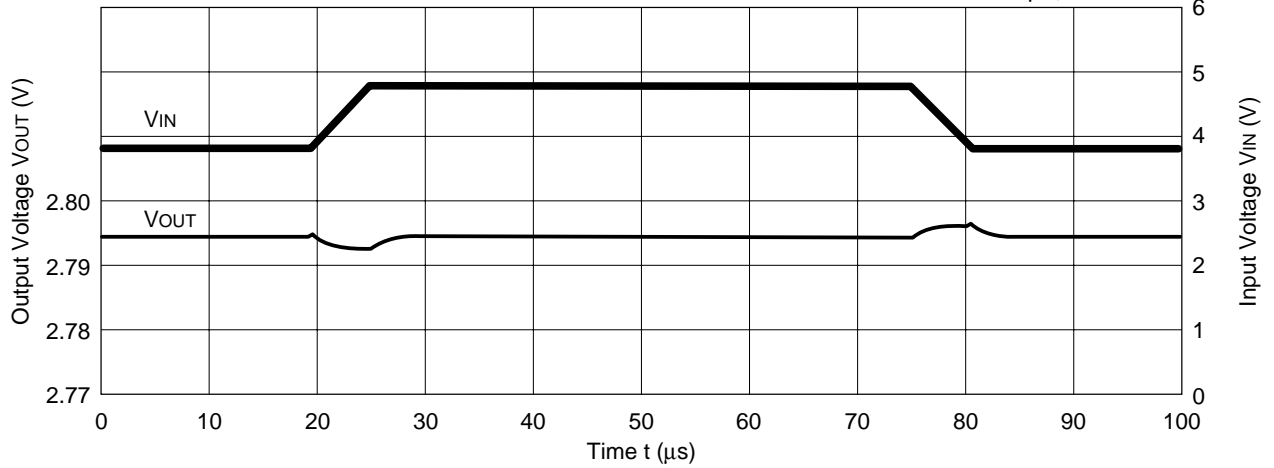
9) Ripple Rejection vs. Input Bias



10) Input Transient Response

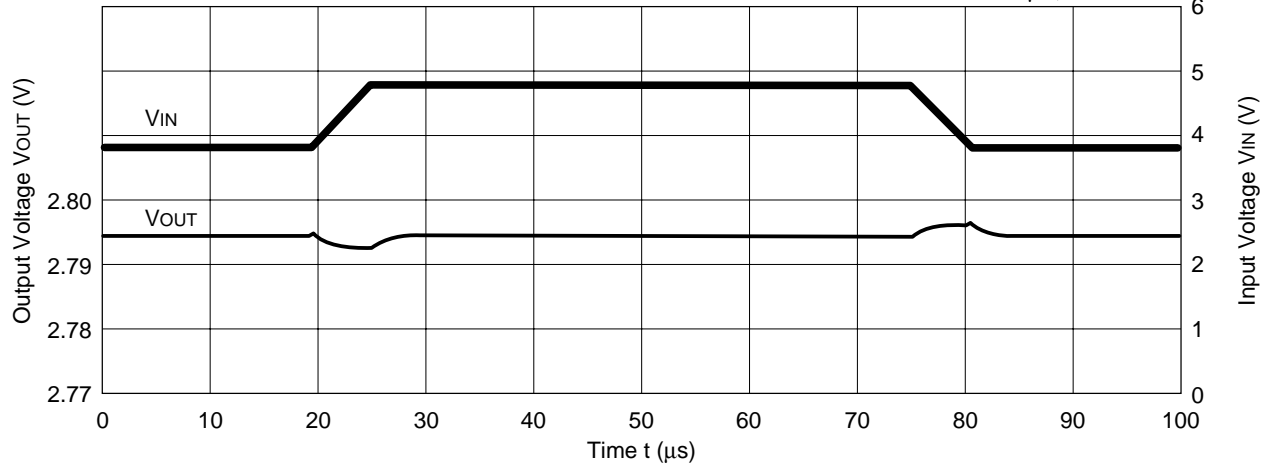
R1140Q281x

V_{IN}=3.8V↔4.8V, tr=tf=5μs
C_{OUT}=tantal 1.0μF, I_{OUT}=30mA



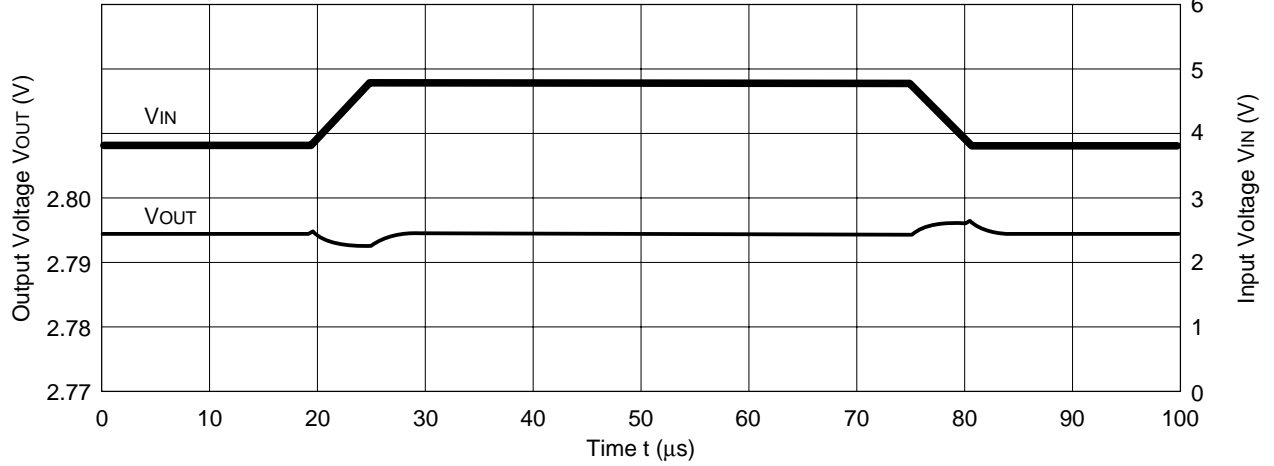
R1140Q281x

V_{IN}=3.8V↔4.8V, tr=tf=5μs
C_{OUT}=tantal 2.2μF, I_{OUT}=30mA



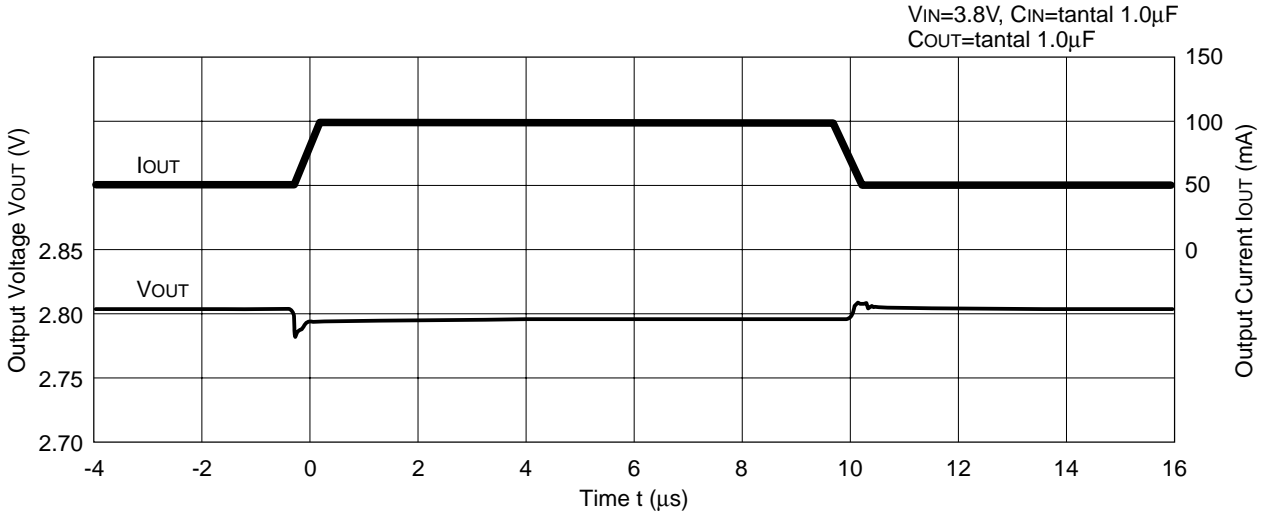
R1140Q281x

V_{IN}=3.8V↔4.8V, tr=tf=5μs
C_{OUT}=tantal 6.8μF, I_{OUT}=30mA

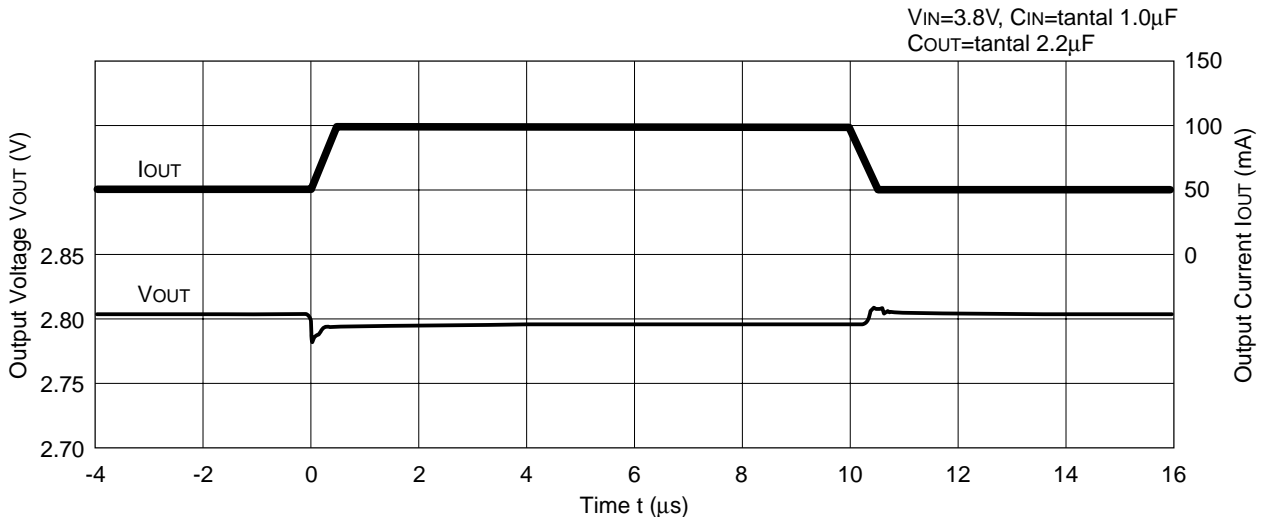


11) Input Transient Response

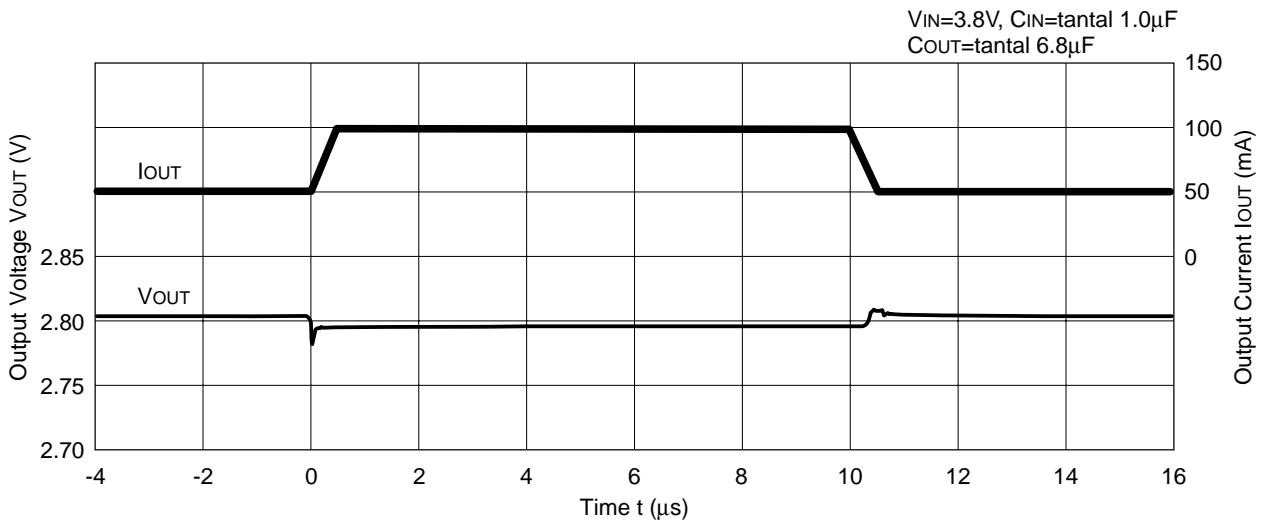
R1140Q281x



R1140Q281x



R1140Q281x



ESR vs. Output Current

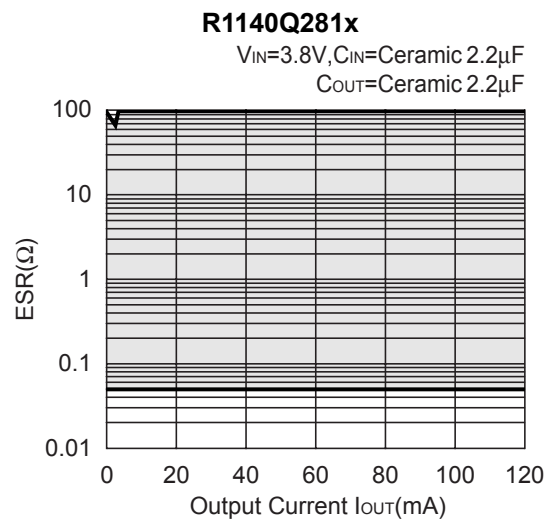
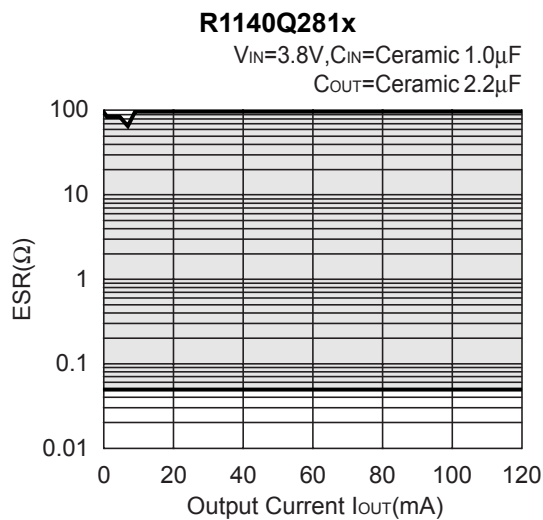
When using these ICs, consider the following points:

In these ICs, phase compensation is made for securing stable operation even if the load current is varied. For this purpose, be sure to use a capacitor C_{OUT} with good frequency characteristics and ESR (Equivalent Series Resistance) of which is in the range described as follows:

The relations between I_{OUT} (Output Current) and ESR of Output Capacitor are shown below. The conditions when the white noise level is under $40\mu V$ (Avg.) are marked as the hatched area in the graph.

<Test conditions>

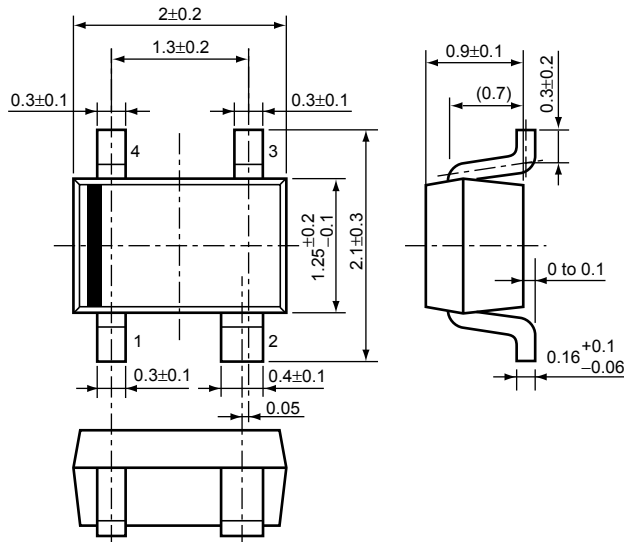
- (1) $V_{IN}=3.8V$
- (2) Frequency band: 10Hz to 2MHz
- (3) Temperature: $25^{\circ}C$



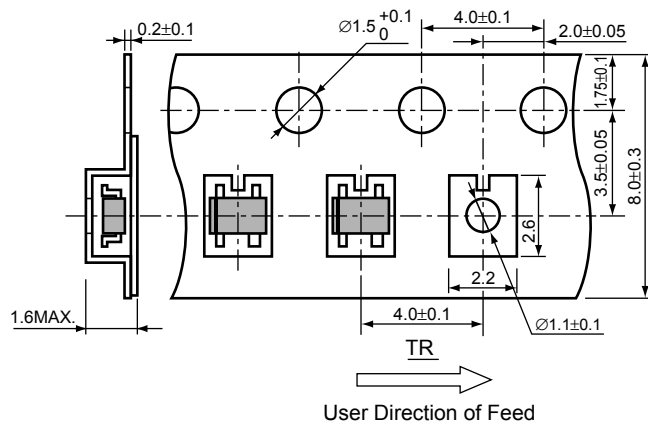
• SC-82AB

Unit: mm

PACKAGE DIMENSIONS

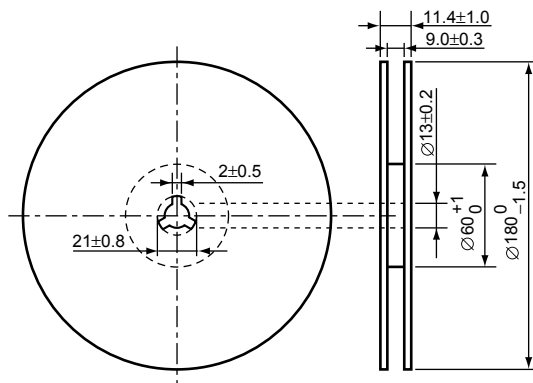


TAPING SPECIFICATION



TAPING REEL DIMENSIONS

(1reel=3000pcs)



POWER DISSIPATION (SC-82AB)

This specification is at mounted on board. Power Dissipation (P_D) depends on conditions of mounting on board. This specification is based on the measurement at the condition below:

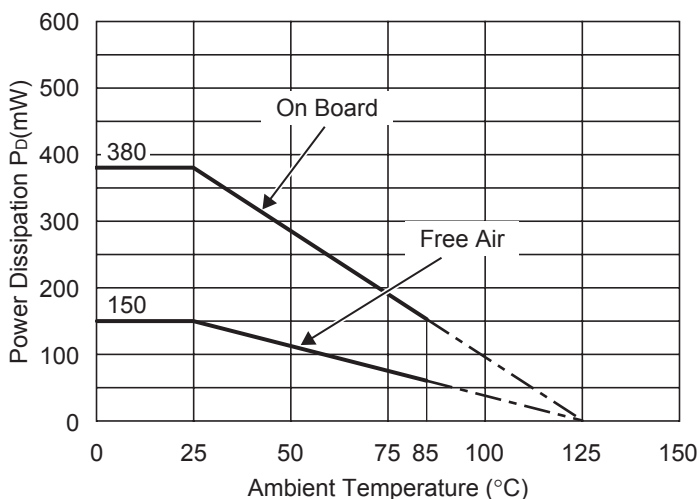
Measurement Conditions

| | |
|------------------|--|
| | Standard Land Pattern |
| Environment | Mounting on Board (Wind velocity=0m/s) |
| Board Material | Glass cloth epoxy plactic (Double sided) |
| Board Dimensions | 40mm × 40mm × 1.6mm |
| Copper Ratio | Top side : Approx. 50% , Back side : Approx. 50% |
| Through-hole | φ0.5mm × 44pcs |

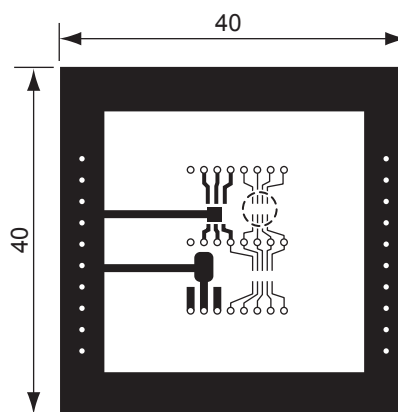
Measurement Result

($T_{opt}=25^{\circ}C, T_{jmax}=125^{\circ}C$)

| | | |
|--------------------|--|-------------------|
| | Standard Land Pattern | Free Air |
| Power Dissipation | 380mW | 150mW |
| Thermal Resistance | $\theta_{ja}=(125-25^{\circ}C)/0.38W=263^{\circ}C/W$ | 667 $^{\circ}C/W$ |



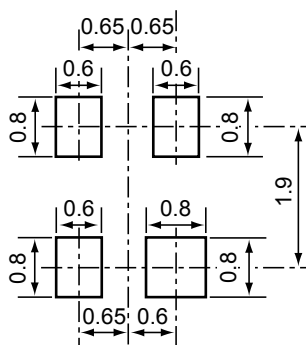
Power Dissipation



Measurement Board Pattern

○ IC Mount Area (Unit : mm)

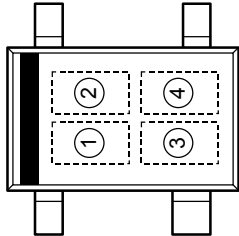
RECOMMENDED LAND PATTERN



(Unit: mm)

R1140Q SERIES MARK SPECIFICATION

● **SC-82AB**



①, ② : Product Code (refer to Part Number vs. Product Code)

③, ④ : Lot Number

● **Part Number vs. Product Code**

| Part Number | Product Code | | Part Number | Product Code | | Part Number | Product Code | | Part Number | Product Code | |
|-------------|--------------|---|-------------|--------------|---|-------------|--------------|---|-------------|--------------|---|
| | ① | ② | | ① | ② | | ① | ② | | ① | ② |
| R1140Q151B | A | 5 | R1140Q281B | B | 8 | R1140Q151D | E | 5 | R1140Q281D | F | 8 |
| R1140Q161B | A | 6 | R1140Q291B | B | 9 | R1140Q161D | E | 6 | R1140Q291D | F | 9 |
| R1140Q171B | A | 7 | R1140Q301B | C | 0 | R1140Q171D | E | 7 | R1140Q301D | G | 0 |
| R1140Q181B | A | 8 | R1140Q311B | C | 1 | R1140Q181D | E | 8 | R1140Q311D | G | 1 |
| R1140Q191B | A | 9 | R1140Q321B | C | 2 | R1140Q191D | E | 9 | R1140Q321D | G | 2 |
| R1140Q201B | B | 0 | R1140Q331B | C | 3 | R1140Q201D | F | 0 | R1140Q331D | G | 3 |
| R1140Q211B | B | 1 | R1140Q341B | C | 4 | R1140Q211D | F | 1 | R1140Q341D | G | 4 |
| R1140Q221B | B | 2 | R1140Q351B | C | 5 | R1140Q221D | F | 2 | R1140Q351D | G | 5 |
| R1140Q231B | B | 3 | R1140Q361B | C | 6 | R1140Q231D | F | 3 | R1140Q361D | G | 6 |
| R1140Q241B | B | 4 | R1140Q371B | C | 7 | R1140Q241D | F | 4 | R1140Q371D | G | 7 |
| R1140Q251B | B | 5 | R1140Q381B | C | 8 | R1140Q251D | F | 5 | R1140Q381D | G | 8 |
| R1140Q261B | B | 6 | R1140Q391B | C | 9 | R1140Q261D | F | 6 | R1140Q391D | G | 9 |
| R1140Q271B | B | 7 | R1140Q401B | D | 0 | R1140Q271D | F | 7 | R1140Q401D | H | 0 |