

13P Plug / Socket Cord (Small Type)

Features


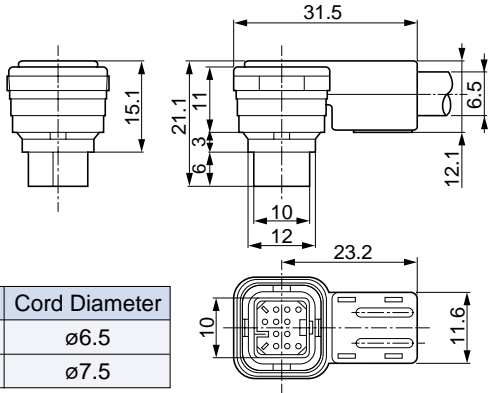
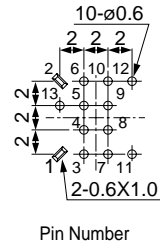

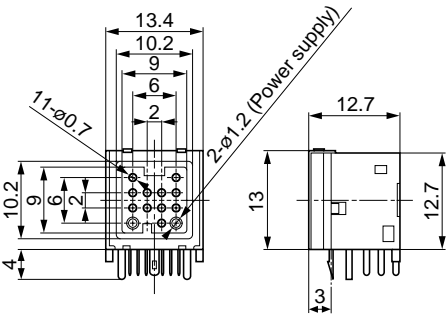
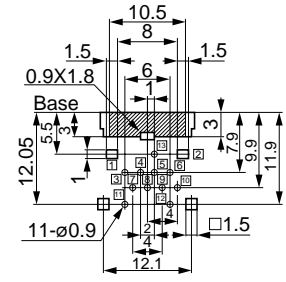
1. Reduced size (by 50% on plugs and 45% on cords) aids in overall downsized equipment designing.
2. Choice of 2 plug types right angle or straight, is available for greater equipment design flexibility.
3. Also available is a version with a locking mechanism for secure connection.
4. The socket has a front frame as an anti-static measure.

Specifications

1. Rating
 - 3A 16V DC (power supply section, pin No.2)
 - 1A 16V DC (signal section, pin No.11)
2. Operating Temperature Range -35°C~+80°C
3. Storage Temperature Range -40°C~+85°C

Applications

Car electronics equipment including navigation equipment and CD changers, etc.

LLM5301-00 			 <p style="text-align: center;">Pin Number</p>
LAC1315-0002			 <p style="text-align: center;">Recommended P.W. Board Dimension (The Pattern Side)</p>