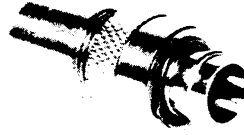


Special Purpose Hermetics

Three-Pin Hermetic



Standard Data

MATERIALS AND FINISHES

Contacts:	Nickel alloy, gold plated
Insulation:	Glass seal
Hardware:	Stainless steel alloy

MECHANICAL/ELECTRICAL DATA

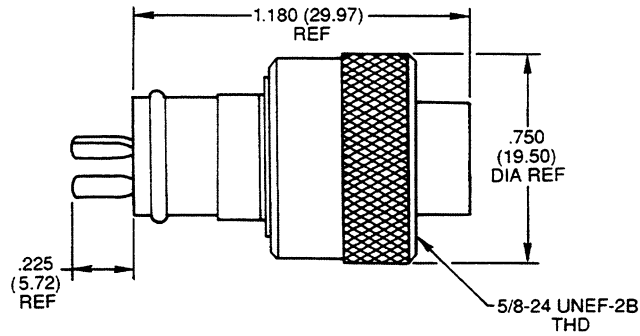
Shell Size:	10SL
Contact Arrangement:	10SL-3P (See page 24)
Temperature Range:	315°C (+600°F)
Radiation Resistance:	1 x 10 ⁶ rads gamma
Engagement:	Standard UN thread
Hermeticity:	Leakage shall not exceed 1 x 10 ⁻⁸ cc/sec of helium when opposed to a 1 atmosphere pressure differential

NOTE: For further information please consult factory.

Dimensions

CE9444-1000

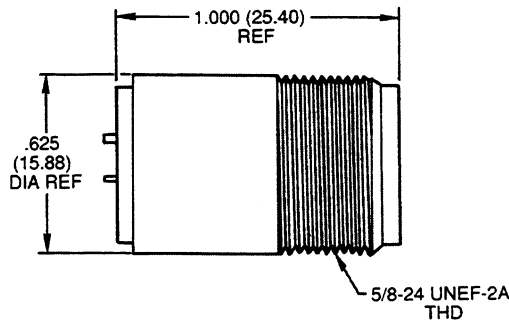
Plug



CE9444-1000

CE9444-1002

Receptacle



CE9444-1002

For other styles and layouts please consult factory.