

# .050" x .050" SOCKETS FOLC SERIES

## SPECIFICATIONS

For complete specifications and recommended PCB layouts see [www.samtec.com?FOLC](http://www.samtec.com?FOLC)

**Insulator Material:** Black Liquid Crystal Polymer



**Contact Material:** BeCu

**Current Rating:** 1A @ 80°C ambient  
**Operating Temp Range:** -55°C to +125°C

**Plating:** Au, PdNi or Sn over 50µ" (1,27µm) Ni

**Contact Resistance:** 15 mΩ max

**Insertion Depth:** (3,30mm) .130" to (4,06mm) .160"

**Insertion Force:** (Single contact only)  
 Standard= 5.0oz (1,39N) avg;  
 LIF= 2.0oz (0,56N) avg.

**Normal Force:**  
 Standard= 70 grams (0,69N) avg; LIF= 40 grams (0,39N) avg.

**Withdrawal Force:** (Single contact only)  
 Standard= 4oz (1,11N) avg;  
 LIF= 1.5oz (0,42N) avg.

**Max Cycles:** 100 with 30µ" (0,76µm) Au  
**RoHS Compliant:** Yes

**Processing:**  
**Max Processing Temp:** 230°C for 60 seconds, or 260°C for 20 seconds 3x  
**Lead-Free Solderable:** Yes  
**SMT Lead Coplanarity:** (0,15mm) .006" max

Mates with: MOLC

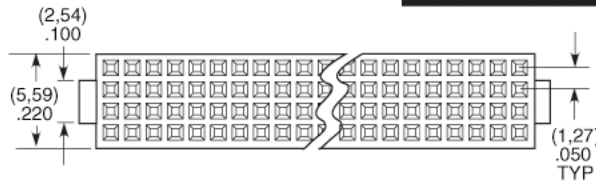
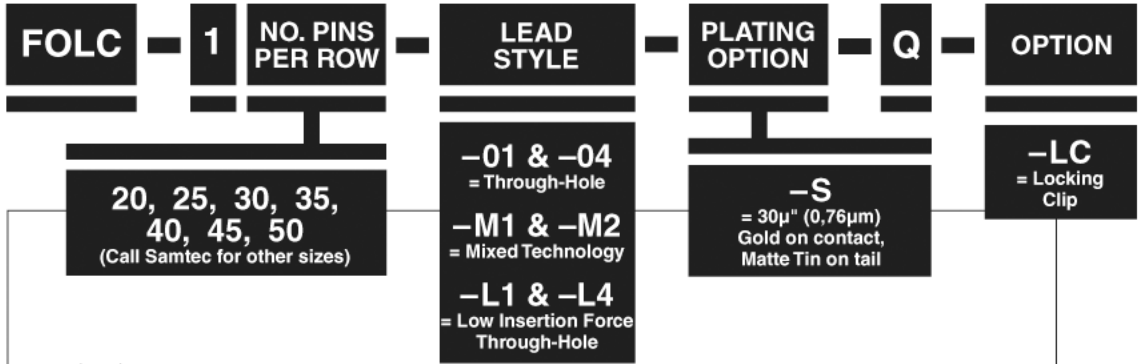
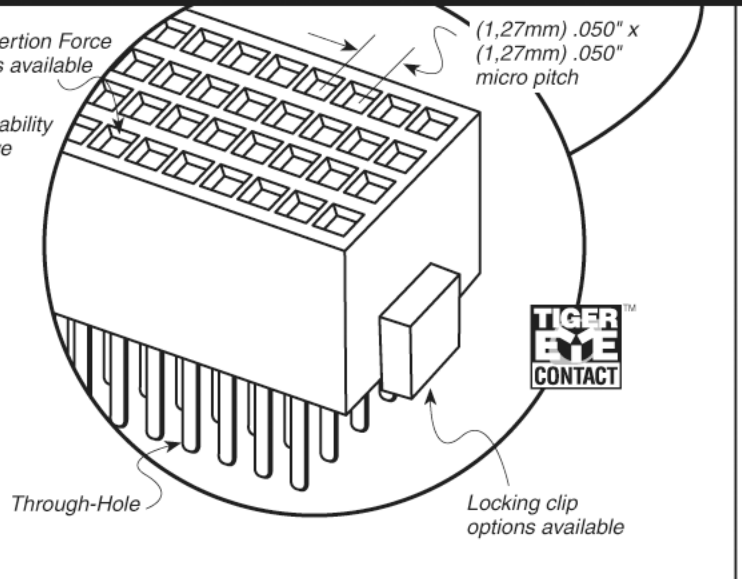
Low Insertion Force contacts available

High reliability Tiger-Eye contacts

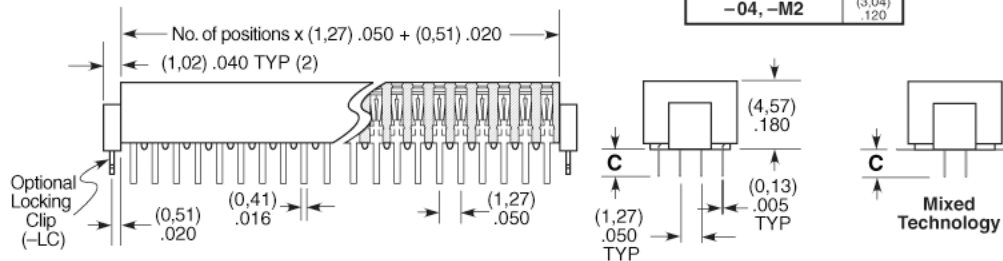
(1,27mm) .050" x (1,27mm) .050" micro pitch

## APPLICATION SPECIFIC OPTION

Alignment pins available. Call Samtec.



LEAD STYLE	C
-01, -M1	(1,91) .075
-04, -M2	(3,04) .120



**Note:** Some sizes, styles and options are non-standard, non-returnable.

Due to technical progress, all designs, specifications and components are subject to change without notice.

[WWW.SAMTEC.COM](http://WWW.SAMTEC.COM)