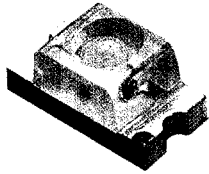


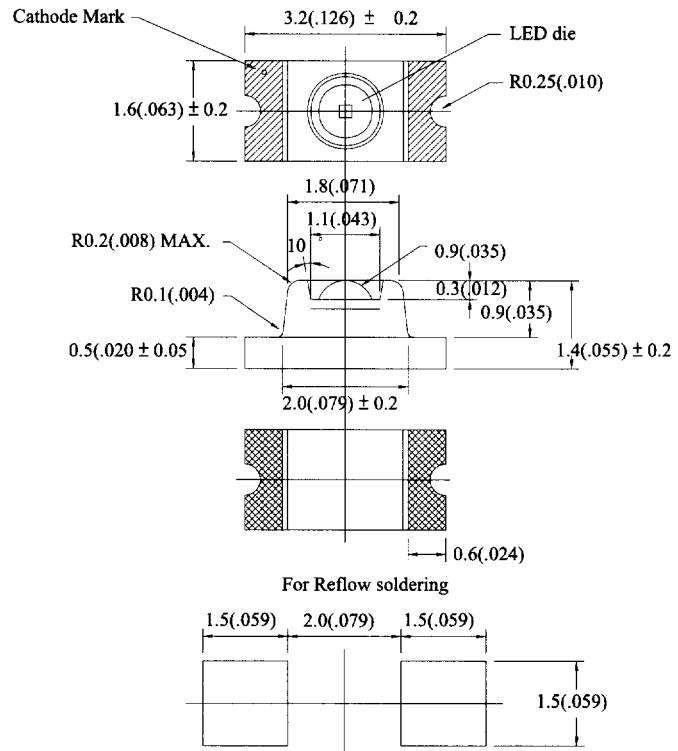


Surface Mount Infrared Emitting Diodes BIR-H Series

1206-IR



BIR-Hxx33A Series



Absolute Maximum Ratings($T_a=25^\circ\text{C}$)

	UNIT	SPEC.
IF	mA	30
IFP	A	1.0
VR	V	5
Top	$^\circ\text{C}$	-25~+80
Tstg	$^\circ\text{C}$	-30~+85

NOTE:

1. All dimensions are in millimeters(inches).
2. Tolerance is $\pm 0.10(0.004)$ " unless otherwise specified.
3. Specifications are subject to change without notice.

Part No.	Chip		Lens Appearance	Electro-Optical Data(At 20mA)					Ifp=20Ma PW=10us DC=10%		Viewing Angle $2\theta_{1/2}$ (deg)
	Material	ΔP (nm)		VF(V)		Ir (uA)	Radiant Power		Tr (ns)	Tf (ns)	
				Typ.	Max.		Min.	Typ.			
BIR-HL033A	GaAs	940	Water Clear	1.2	1.7	50	0.5	2.0	500	200	70°
BIR-HM033A	GaAlAs	940	Water Clear	1.2	1.7	50	0.8	3.2	500	200	
BIR-HM133A	GaAlAs	940	Water Clear	1.2	1.7	50	1.0	4.0	500	200	
BIR-HN033A	GaAlAs	880	Water Clear	1.4	2.0	50	1.2	4.5	500	200	
BIR-HO033A	GaAlAs	850	Water Clear	1.4	2.0	50	2.0	8.0	500	200	