

# between series adapters\*

## BULKHEAD AND PANEL MOUNT ADAPTERS

<p><b>Fig. 1</b></p> <p><b>U</b></p> <p>APC-N Jack to SMA Jack  <b>131-1185</b> VSWR: 1.3 max. DC-18 GHz</p>	<p><b>Fig. 2</b></p> <p><b>D</b></p> <p>BNC Jack to SMA Jack  <b>901-9173</b> VSWR: 1.25 max. DC-4 GHz</p>
<p><b>Fig. 3</b></p> <p><b>U</b></p> <p>N Jack to SMA Jack  <b>901-3143-1000</b> VSWR: 1.3 max. DC-18 GHz</p>	<p><b>Fig. 4</b></p> <p><b>W</b></p> <p>Bulkhead Mount Fuse Holder          BNC Jack to SMC Jack  <b>903-377A-52B1</b> .062 amp fuse  <b>903-377A-52B2</b> .125 amp fuse</p>
<p><b>Fig. 5</b></p> <p><b>N</b></p> <p>N Jack to SMA Jack  <b>901-9011</b> VSWR: 1.3 max. DC-12.4 GHz  <b>901-9720</b> VSWR: 1.3 max. DC-7 GHz</p>	<p><b>Fig. 6</b></p> <p><b>N</b></p> <p>N Jack to SMA Plug  <b>901-B2504-317</b> VSWR: 1.3 max. DC-18 GHz</p>
<p><b>Fig. 7</b></p> <p><b>N</b></p> <p>N Jack to 3.5mm Jack  <b>901-9718</b> VSWR: 1.5 max. DC-22 GHz</p>	<p><b>Fig. 8</b></p> <p><b>T</b></p> <p>TNC Jack to SMA Jack  <b>901-280</b> VSWR: 1.3 max. DC-12.4 GHz</p>

\* for complete list of Between Series Adapters, please contact the factory

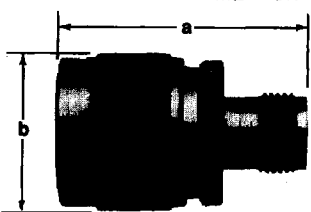
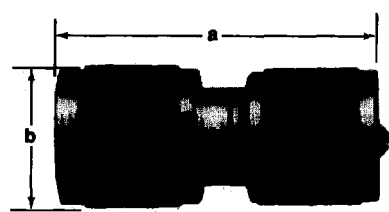
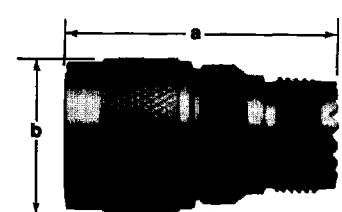
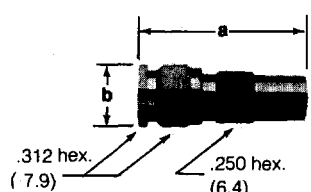
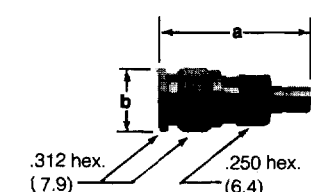
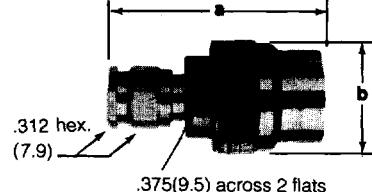
# between series adapters continued\*

## STRAIGHT ADAPTERS - PLUG TO PLUG OR JACK

<p>Fig. 1</p> <p>APC-N Plug to SMA Plug <b>131-1074</b> VSWR: 1.10 max. DC-18 GHz</p>	<p>Fig. 2</p> <p>APC-N Plug to SMA Jack <b>131-1075</b> VSWR: 1.10 max. DC-18 GHz</p>	<p>Fig. 3</p> <p>BNC Plug to C Jack <b>83175</b> (UG-635/U) VSWR: 1.35 max. DC-4 GHz</p>
<p>Fig. 4</p> <p>BNC Plug to MB Jack <b>47275</b></p>	<p>Fig. 5</p> <p>BNC Plug to N Plug <b>5225</b> (UG-1034/U) VSWR: 1.35 max. DC-4 GHz</p>	<p>Fig. 6</p> <p>BNC Plug to N Jack <b>31-217</b> (UG-349A/U) <b>31-217-RFX</b> VSWR: 1.35 max. DC-4 GHz</p>
<p>Fig. 7</p> <p>BNC Plug to SMA Plug <b>901-164</b> VSWR: 1.3 max. DC-4 GHz</p>	<p>Fig. 8</p> <p>BNC Plug to SMA Jack <b>901-165</b> VSWR: 1.3 max. DC-4 GHz</p>	<p>Fig. 9</p> <p>BNC Plug to TNC Jack <b>79025</b> VSWR: 1.25 max. DC-4 GHz</p>
<p>Fig. 10</p> <p>BNC Plug to UHF Jack <b>2900</b> (UG-255/U) <b>2900-RFX</b></p>	<p>Fig. 11</p> <p>C Plug to N Jack <b>82-540</b> (UG-565A/U) VSWR: 1.35 max. DC-11 GHz</p>	<p>Fig. 12</p> <p>HN Plug to N Jack <b>16050</b></p>
<p>Fig. 13</p> <p>N Plug to SMA Plug <b>901-292</b> VSWR: 1.3 max. DC-12.4 GHz</p>	<p>Fig. 14</p> <p>N Plug to SMA Jack <b>901-294</b> VSWR: 1.3 max. DC-12.4 GHz</p>	<p>Fig. 15</p> <p>N Plug to TNC Plug <b>79850</b> VSWR: 1.35 max. DC-11 GHz</p>

\* for complete list of Between Series Adapters, please contact the factory.

# between series adapters continued\*

<p>Fig. 16 DC-11 GHz Max. VSWR: 1.35</p>  <p>N Plug to TNC Jack <b>78800</b> VSWR: 1.35 max. DC-11 GHz</p>	<p>Fig. 17</p>  <p>N Plug to UHF Plug <b>26700</b> (UG-318/U)</p>	<p>Fig. 18</p>  <p>N Plug to UHF Jack <b>4400</b> (UG-146/U)</p>
<p>Fig. 19</p>  <p>SMA Plug to SMB Plug (female contact) <b>901-9038</b> VSWR: 1.08 max. DC-4 GHz</p>	<p>Fig. 20</p>  <p>SMA Plug to SMB Jack (male contact) <b>901-9037</b> VSWR: 1.08 max. DC-4 GHz</p>	<p>Fig. 21</p>  <p>SMA Plug to TNC Plug <b>901-168</b> VSWR: 1.3 max. DC-12.4 GHz</p>

## STRAIGHT ADAPTERS - PLUG TO PLUG OR JACK

Adapter Ends*		Dimensions, inches (millimeters)		Notes		Military Number	Amphenol Number	Fig.
		a	b	Pit.	Ins.			
APC-N Plug	SMA Plug	1.75 (44.5)	.812 (20.6) dia.	P43	D1/18	—	<b>131-1074</b>	1
APC-N Plug	SMA Jack	1.63 (41.3)	.812 (20.6) dia.	P44	D1/18	—	<b>131-1075</b>	2
BNC Plug	C Jack	1.28 (32.5)	.593 (15.1)	P7	D1	UG-635/U	<b>83175</b>	3
BNC Plug	MB Jack	1.00 (25.4)	.562 (14.3)	P1	D1/7	—	<b>47275</b>	4
BNC Plug	N Plug	1.50 (38.1)	.812 (20.6)	P7	D1	UG-1034/U	<b>5225</b>	5
BNC Plug	N Jack	1.56 (39.7)	.625 (15.9)	P1	D1	UG-349A/U	<b>31-217</b>	6
BNC Plug	N Jack	1.56 (39.7)	.625 (15.9)	P1	D1	—	<b>31-217-RFX</b>	6
BNC Plug	SMA Plug	1.09 (27.8)	.562 (14.3) dia.	P49	D1	—	<b>901-164†</b>	7
BNC Plug	SMA Jack	1.06 (27.0)	.562 (14.3)	P8	D1	—	<b>901-165†</b>	8
BNC Plug	TNC Jack	1.25 (31.8)	.625 (15.9)	P1	D1	—	<b>79025</b>	9
BNC Plug	UHF Jack	1.31 (33.3)	.625 (15.9)	P1	D6/8	UG-255/U	<b>2900</b>	10
BNC Plug	UHF Jack	1.31 (33.3)	.625 (15.9)	P1	D6/8	—	<b>2900-RFX</b>	10
C Plug	N Jack	1.54 (38.9)	.750 (19.1)	P7	D1	UG-565A/U	<b>82-540</b>	11
HN Plug	N Jack	1.56 (39.7)	.875(22.2)	P1	D1	—	<b>16050</b>	12
N Plug	SMA Plug	1.70 (43.2)	.812 (20.6) dia.	P52	D1	—	<b>901-292†</b>	13
N Plug	SMA Jack	1.66 (42.1)	.812 (20.6)	P9	D1	—	<b>901-294†</b>	14
N Plug	TNC Plug	1.56 (39.7)	.813 (20.6)	P1	D1	—	<b>79850</b>	15
N Plug	TNC Jack	1.94 (33.3)	.813 (20.6)	P1	D1	—	<b>78800</b>	16
N Plug	UHF Plug	1.73 (44.1)	.750 (19.1)	P1	D1/6	UG-318/U	<b>26700</b>	17
N Plug	UHF Jack	1.41 (35.7)	.813 (20.6)	P1	D6/8	UG-146/U	<b>4400</b>	18
SMA Plug	SMB Plug	.875 (22.2)	.312(7.9) hex.	P29	D1	—	<b>901-9038</b>	19
SMA Plug	SMB Jack	.812(20.6)	.312(7.9) hex.	P31	D1	—	<b>901-9037</b>	20
SMA Plug	TNC Plug	1.12 (28.6)	.593(15.1) dia.	P51	D1	—	<b>901-168†</b>	21

\* for complete list of Between Series Adapters, please contact the factory

† BeCu body

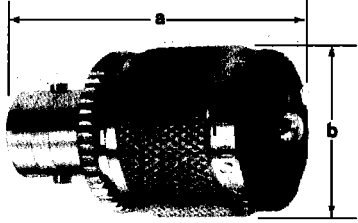
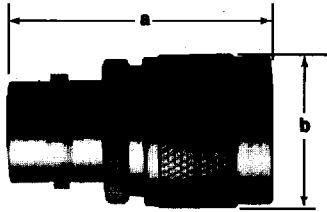
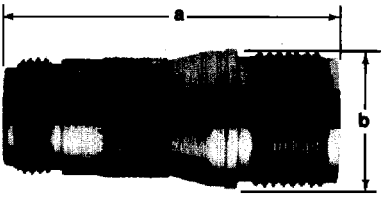
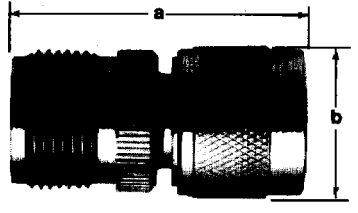
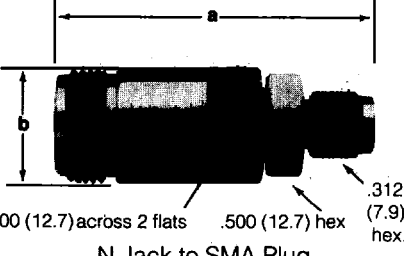
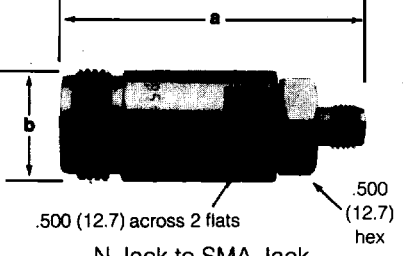
# between series adapters\*

## STRAIGHT ADAPTERS - JACK TO PLUG OR JACK

<p>Fig. 1</p> <p>APC-7 to SMA Plug <b>131-91038</b> VSWR: 1.07 max. DC-18 GHz</p>	<p>Fig. 2</p> <p>APC-7 to SMA Jack <b>131-91028</b> VSWR: 1.07 max. DC-18 GHz</p>	
<p>Fig. 3</p> <p>APC-N Jack to SMA Plug <b>131-1076</b> VSWR: 1.1 max. DC-18 GHz</p>	<p>Fig. 4</p> <p>APC-N Jack to SMA Jack <b>131-1077</b> VSWR: 1.1 max. DC-18 GHz</p>	
<p>Fig. 5</p> <p>BNC Jack to C Plug <b>83200</b> (UG-636A/U)</p>	<p>Fig. 6</p> <p>BNC Jack to HN Plug <b>8900</b> (UG-309/U)</p>	<p>Fig. 7</p> <p>BNC Jack to MB Plug <b>47250</b></p>
<p>Fig. 8</p> <p>BNC Jack to N Plug <b>31-216</b> (UG-201A/U) <b>31-216-RFX</b> <b>82-5558</b> (M55339/20-00201)</p>	<p>Fig. 9</p> <p>BNC Jack to N Jack <b>82-5550-1000</b> VSWR: 1.3 max. DC-4 GHz</p>	<p>Fig. 10</p> <p>BNC Jack to SMA Plug <b>901-166</b> VSWR: 1.3 max. DC-4 GHz</p>
<p>Fig. 11</p> <p>BNC Jack to SMA Jack <b>901-167</b> VSWR: 1.3 max. DC-4 GHz</p>	<p>Fig. 12</p> <p>BNC Jack to TNC Jack <b>76400</b> VSWR: 1.25 max. DC-4 GHz</p>	<p>Fig. 13</p> <p>BNC Jack to TNC Plug <b>79675</b> VSWR: 1.25 max. DC-4 GHz</p>

\* for complete list of Between Series Adapters, please contact the factory

between series adapters continued\*

<p>Fig. 14</p>  <p>BNC Jack to UHF Plug <b>31-28 (UG-273/U)</b> <b>31-28-RFX</b></p>	<p>Fig. 15</p> <p>VSWR: 1.35 max. DC-11 GHz</p>  <p>C Jack to N Plug <b>82-508 (UG-564/U)</b></p>	<p>Fig. 16</p>  <p>HN Jack to N Jack <b>16100</b></p>
<p>Fig. 17</p>  <p>HN Jack to N Plug <b>16075</b></p>	<p>Fig. 18</p>  <p>N Jack to SMA Plug <b>901-293</b> VSWR: 1.3 max. DC-12.4 GHz</p>	<p>Fig. 19</p>  <p>N Jack to SMA Jack <b>901-295</b> VSWR: 1.3 max. DC-12.4 GHz</p>

STRAIGHT ADAPTERS - JACK TO PLUG OR JACK

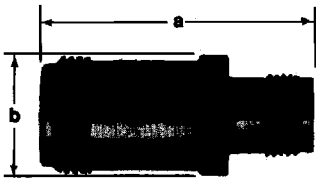
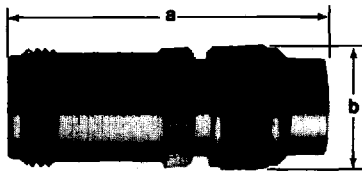
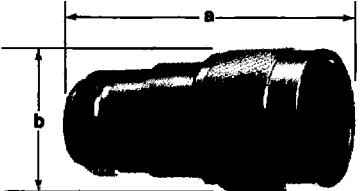
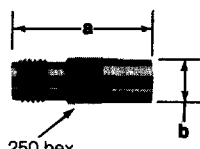
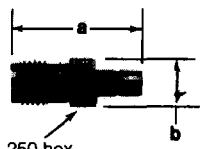
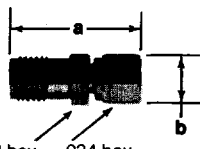
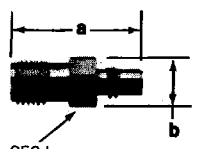
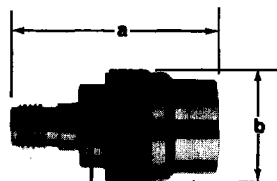
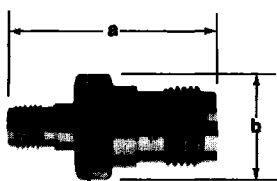
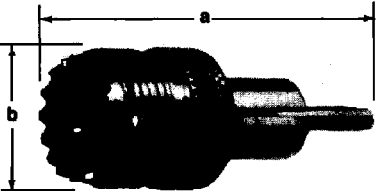
Adapter Ends*		Dimensions, inches (millimeters)		Notes		Military Number	Amphenol Number	Fig.
		a	b	Pit.	Ins.			
APC-7	SMA Plug	1.39 (35.3)	.865 (22.0) dia.	P48	D1/18	—	<b>131-91038†★</b>	1
APC-7	SMA Jack	1.31 (33.3)	.865 (22.0) dia.	P48	D1/18	—	<b>131-91028†★</b>	2
APC-N Jack	SMA Plug	1.72 (43.6)	.625 (15.9) dia.	P45	D1/18	—	<b>131-1076</b>	3
APC-N Jack	SMA Jack	1.59 (40.5)	.625 (15.9) dia.	P44	D1/18	—	<b>131-1077</b>	4
BNC Jack	C Plug	1.23 (31.3)	.500 (19.1)	P7	D1	UG-636A/U	<b>83200</b>	5
BNC Jack	HN Plug	1.50 (38.1)	.843 (21.4)	P1	D1	UG-309/U	<b>8900</b>	6
BNC Jack	MB Plug	.940 (23.8)	.562 (14.3)	P1	D1/6	—	<b>47250</b>	7
BNC Jack	N Plug	1.31 (33.3)	.812 (20.6)	P1	D1	UG-201A/U	<b>31-216</b>	8
BNC Jack	N Plug	1.31 (33.3)	.812 (20.6)	P1	D1	—	<b>31-216-RFX</b>	8
BNC Jack	N Plug	1.36 (34.4)	.828 (21.0)	P6	D1	M55339/20-00201	<b>82-5558</b>	8
BNC Jack	N Jack	1.14 (29.0)	.750 (19.1)	P1	D1	—	<b>82-5550-1000</b>	9
BNC Jack	SMA Plug	1.16 (29.4)	.562 (14.3) dia.	P51	D1	—	<b>901-166†</b>	10
BNC Jack	SMA Jack	1.12 (28.6)	.562 (14.3) dia.	P51	D1	—	<b>901-167†</b>	11
BNC Jack	TNC Jack	1.59 (32.5)	.438 (11.1)	P1	D1	—	<b>76400</b>	12
BNC Jack	TNC Plug	1.25 (31.8)	.525 (15.9)	P1	D1	—	<b>79675</b>	13
BNC Jack	UHF Plug	1.19 (30.2)	.719 (18.3)	P1	D6	UG-273/U	<b>31-28</b>	14
BNC Jack	UHF Plug	1.19 (30.2)	.719 (18.3)	P1	D6	—	<b>31-28-RFX</b>	14
C Jack	N Plug	1.38 (34.9)	.812 (20.6)	P7	D1	UG-564/U	<b>82-508</b>	15
HN Jack	N Jack	1.77 (44.8)	.750 (19.1)	P1	D1/6	—	<b>16100</b>	16
HN Jack	N Plug	1.56 (39.7)	.813 (20.6)	P1	D1	—	<b>16075</b>	17
N Jack	SMA plug	1.70 (43.2)	.625 (15.9) dia.	P52	D1	—	<b>901-293†</b>	18
N Jack	SMA Jack	1.66 (42.1)	.625 (15.9) dia.	P9	D1	—	<b>901-295†</b>	19

\* for complete list of Between Series Adapters, please contact the factory.

★ to obtain fluted nut, delete '9' from part number

† BeCu body

## between series adapters continued\*

<p>Fig. 1</p>  <p>N Jack to TNC Jack <b>78825</b> VSWR: 1.35 max. DC-11 GHz</p>	<p>Fig. 2</p>  <p>N Jack to TNC Plug <b>79825</b> VSWR: 1.35 max. DC-11 GHz</p>	<p>Fig. 3</p>  <p>N Jack to UHF Plug <b>14000</b> (UG-83/U)</p>	
<p>Fig. 4</p> <p>VSWR: 1.08 max. DC-4 GHz</p>  <p>SMA Jack to SMB Plug (female contact) <b>901-9034</b></p>	<p>Fig. 5</p> <p>VSWR: 1.08 max. DC-4 GHz</p>  <p>SMA Jack to SMB Jack (male contact) <b>901-9033</b></p>	<p>Fig. 6</p> <p>VSWR: 1.12 max. DC-10 GHz</p>  <p>SMA Jack to SMC Plug (female contact) <b>901-9036</b></p>	<p>Fig. 7</p> <p>VSWR: 1.12 max. DC-10 GHz</p>  <p>SMA Jack to SMC Jack (male contact) <b>901-9035</b></p>
<p>Fig. 8</p> <p>VSWR: 1.3 max. DC-12.4 GHz</p>  <p>SMA Jack to TNC Plug <b>901-169</b></p>	<p>Fig. 9</p> <p>VSWR: 1.3 max. DC-12.4 GHz</p>  <p>SMA Jack to TNC Jack <b>901-171</b></p>	<p>Fig. 10</p>  <p>UHF Jack to RCA Plug <b>83-10</b></p>	

### STRAIGHT ADAPTERS - JACK TO PLUG OR JACK - CONTINUED

Adapter Ends*		Dimensions, inches (millimeters)		Notes		Military Number	Amphenol Number	Fig.
		a	b	Pit.	Ins.			
N Jack	TNC Jack	1.39 (35.3)	.625 (15.9)	P1	D1	—	<b>78825</b>	1
N Jack	TNC Plug	1.66 (42.1)	.625 (15.9)	P1	D1	—	<b>79825</b>	2
N Jack	UHF Plug	1.56 (39.7)	.750 (19.1)	P1	D1/6	UG-83/U	<b>14000</b>	3
SMA Jack	SMB Plug	.750 (19.1)	.250 (6.4) hex.	P1	D1	—	<b>901-9034</b>	4
SMA Jack	SMB Jack	.705 (17.9)	.250 (6.4) hex.	P30	D1	—	<b>901-9033</b>	5
SMA Jack	SMC Plug	.750 (19.1)	.250 (6.4) hex.	P17	D1	—	<b>901-9036</b>	6
SMA Jack	SMC Jack	.705 (17.9)	.250 (6.4) hex.	P17	D1	—	<b>901-9035</b>	7
SMA Jack	TNC Plug	1.09 (27.8)	.593 (15.1) dia.	P51	D1	—	<b>901-169</b>	8
SMA Jack	TNC Jack	1.12 (28.6)	.562 (14.3) dia.	P51	D1	—	<b>901-171</b>	9
UHF Jack	RCA Plug	1.64 (41.7)	.650(16.5) hex.	P3	D10	—	<b>83-10</b>	10