

# New Jersey Semi-Conductor Products, Inc.

20 STERN AVE.  
SPRINGFIELD, NEW JERSEY 07081  
U.S.A.

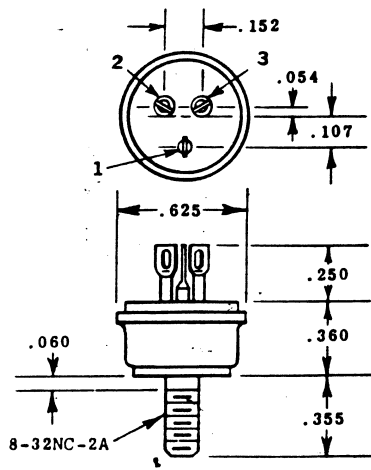
TELEPHONE: (201) 376-  
(212) 227-  
FAX: (201) 376-

## PARAMETERS

2N1263  
GE PNP POWER BJT

Description: Ge PNP Power BJT

Mil/High-Rel? (Y/N).....	
Ic Max. (A).....	3.5
Vbr CEO.....	45
Vbr CBO.....	80
Max. PD (W).....	10
Derate Above 25xC.....	
Min hFE.....	45
Max. hFE.....	113
@Ic (test) (A).....	2.0
@VCE (V).....	2.0
Trans. Freq (Hz) Min.....	200k
Icbo Max. @Vcb Max. (A).....	2.0m
R(sat) (j).....	
Tr Max. (s).....	
t(f) Max. (S).....	
Oper. Temp (xC) Max.....	95u
Pkg Style.....	StR-8
Surface Mounted (Y/N).....	N
Pinout Equivalence Number.....	3-17



Quality Semi-Conductors