

SPECIFICATIONS

Mechanical

Mating Force: 5Pounds max.
Unmating Force: 10Pounds max.
Durability: 1000 Cycles

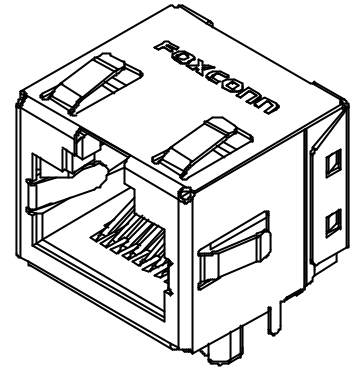
Electrical

Current Rating: 1.5A max.
Contact Resistance: 50mW max.
Dielectric Withstanding Voltage: 1000V

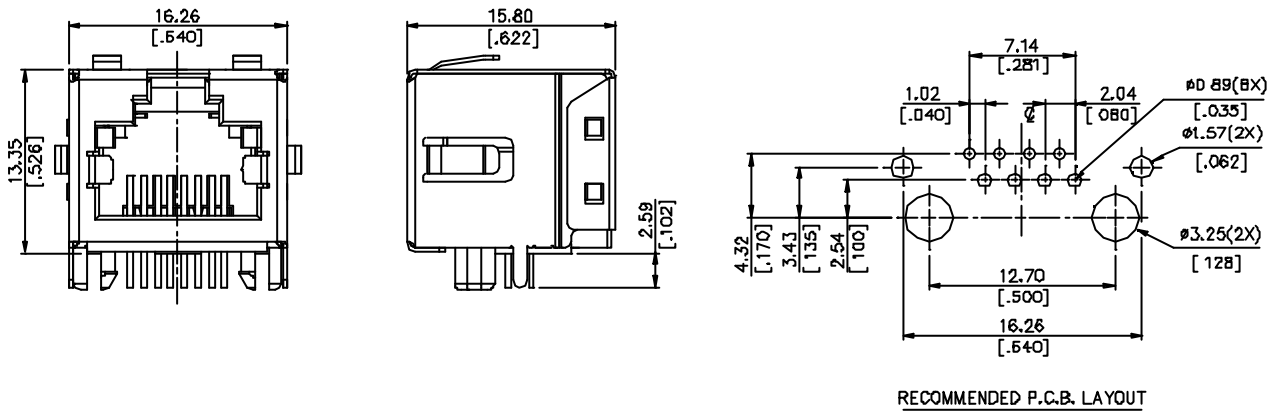
Physical

Housing: Thermoplastic, UL 94V-0
Contact: Copper Alloy
Plating: See "ORDERING INFORMATION"
Shell: Copper Alloy
Operating Temperature: -30 to +85

JM Series
RJ45 1X1
R/A, T/H Type
1.02mm [.040"] Pitch



DRAWING



ORDERING INFORMATION

PRODUCT NO. : **JM 3 7 1 1 * - K00***

Series Prefix
 JM=Modular Jack

Body & Termination
 3=R/A All Shield T/H

Design Type
 7=W/Top & Side PANEL-GND, W/B/L

POS. Type
 1=8P8C

Extension Code

Contact Area Plating

1=Flash Gold
 3=30u" Gold
 5=50u" Gold
 7=15u" Gold

No. of Body
 1=1Port

JM3711*-K003	Moon Gray 3
JM3711*-K002	Pearl White
JM3711*-K001	Black
P/N	HOUSING COLOR