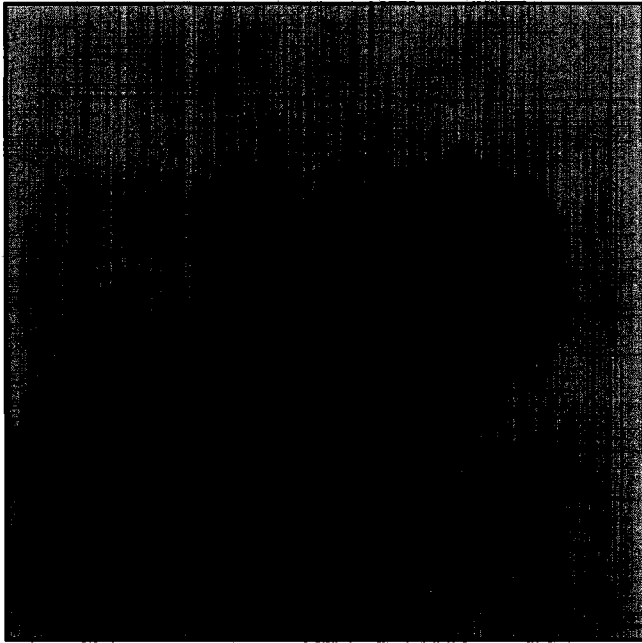


# .100" × .100" Polarized Boardmount Socket

Centerbump Polarization with Straight Solder Tails

6800 Series



- Standard centerbump with straight solder tails
- Mates with low profile shrouded headers
- Part number on each piece
- Optional keying plug
- 34–50 contacts
- Military dual polarization
- Board retention feature

Date Issued: February 19, 1999

TS-0689-02  
Sheet 1 of 2

18

---

## Physical

### Insulation

Material: Glass Filled Polyester (PBT)

Flammability: UL 94V-0

Color: Gray

### Contact

Material: Copper Alloy

Plating

Underplating & U-Slot: 2  $\mu\text{m}$  [ 79  $\mu\text{m}$  ] Nickel — QQ-N-290, Class 2

Wiping Area: 0.3  $\mu\text{m}$  [ 12  $\mu\text{m}$  ] Gold — MIL-G-45204, Type II, Grade C

Solder Tails: Tin Lead — MIL-P-81728

Marking: 3M Logo, Part Identification Number and Orientation Triangle

---

## Electrical

Current Rating: 1 A

Insulation Resistance:  $> 1 \times 10^9 \Omega$  at 500 Vdc

Withstanding Voltage: 1000 Vrms at Sea Level

---

## Environmental

Temperature Rating:  $-55^\circ\text{C}$  to  $105^\circ\text{C}$

UL File No.: E68080

---

### 3M Electronic Products Division

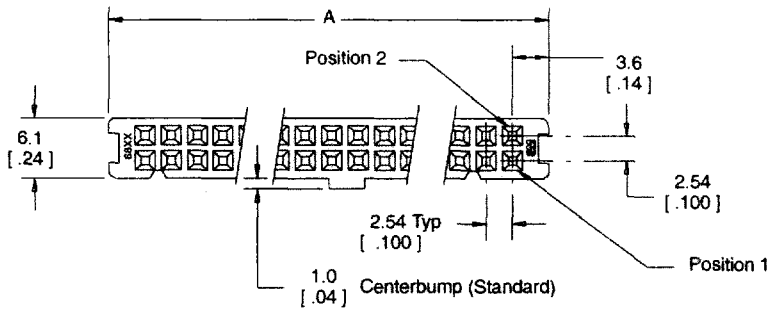
6801 River Place Blvd.  
Austin, TX 78726-9000

For technical, sales or ordering information call  
800-225-5373

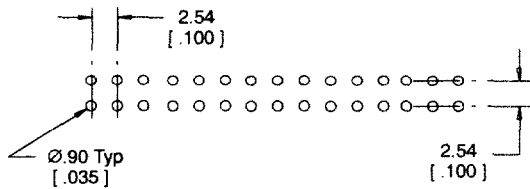
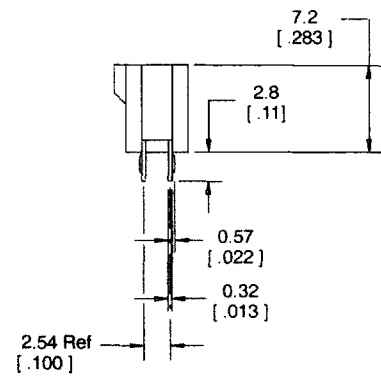
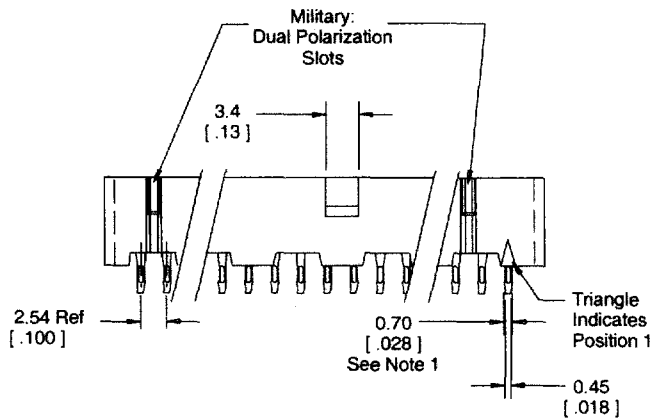
# .100" × .100" Polarized Boardmount Socket

## Centerbump Polarization with Straight Soldertails

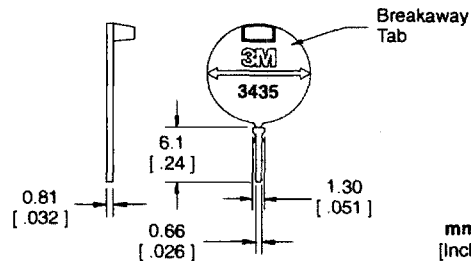
6800 Series



Contact Quantity	Dimension A
34	47.7 [ 1.88 ]
40	55.3 [ 2.18 ]
50	68.0 [ 2.68 ]



**Recommended Mounting Hole Pattern**  
(Shown for Top Side of PC Board)



**3435-0 Keying Plug**  
(Optional: Order Separately)

Tolerance Unless Noted			
	.0	.00	.000
mm	±.3	±.13	

[ ] Dimensions for Reference only

**Notes:**

1. The contact soldertail is designed to retain the connector on the PC board during flow soldering operations.
2. Recommended to be mated to the .100" x .100" Low Profile Header and the 4600 series Plug Connector without ejector latches.

### Ordering Information

**Sockets**  
**68XX-4500JL**

Contact Quantity:  
See Table

TS-0689-02  
Sheet 2 of 2