

ZONE	REV	SCR NUMBER	DESCRIPTION	BY	DATE	APPROVED
	A	CSAS-76SP5U.VER01	ADDED LEAD FREE PLATING OPTIONS TO TABLE 1, REPLACED TERDYNE TEMPLATE WITH AMPHENOL TEMPLATE	HCL-GM	09/21/2007	D.SMITH
	B	CSAS-7PUQGH.VER01	UPDATED NOTE 5	HCL-RK	03/17/09	D.SMITH

**TABLE 1**

GbX STANDARD BACKPLANE POWER CONNECTOR  
REVISION OF ALL PART NUMBERS IS -. EXCEPT CUSTOM PART NUMBERS (4TH DIGIT = 7)

439 - X X X X - 0 0 0

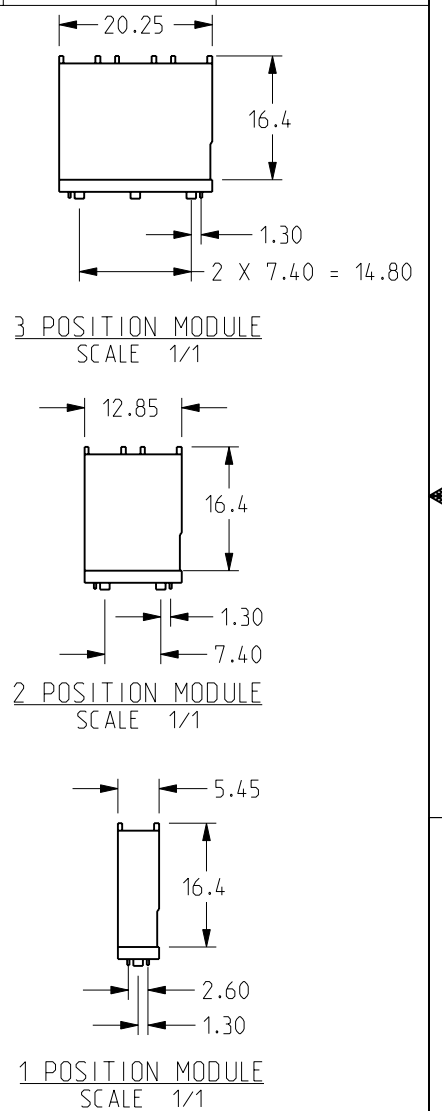
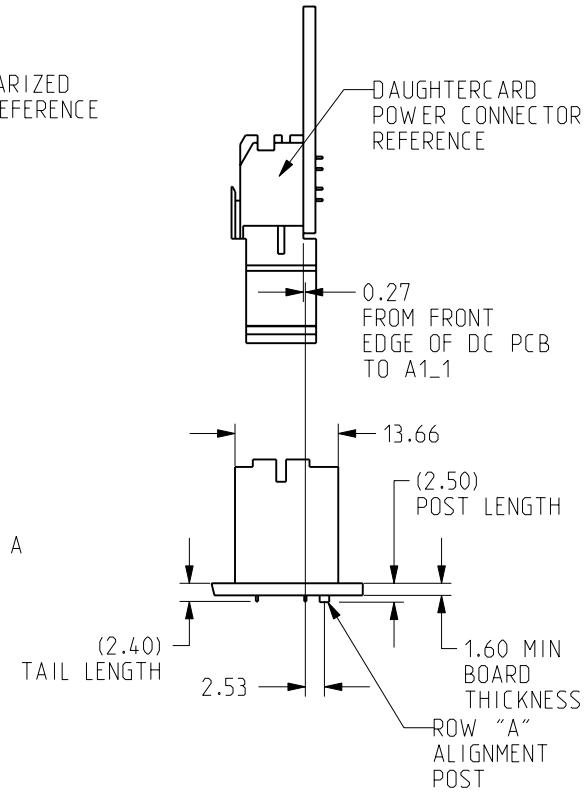
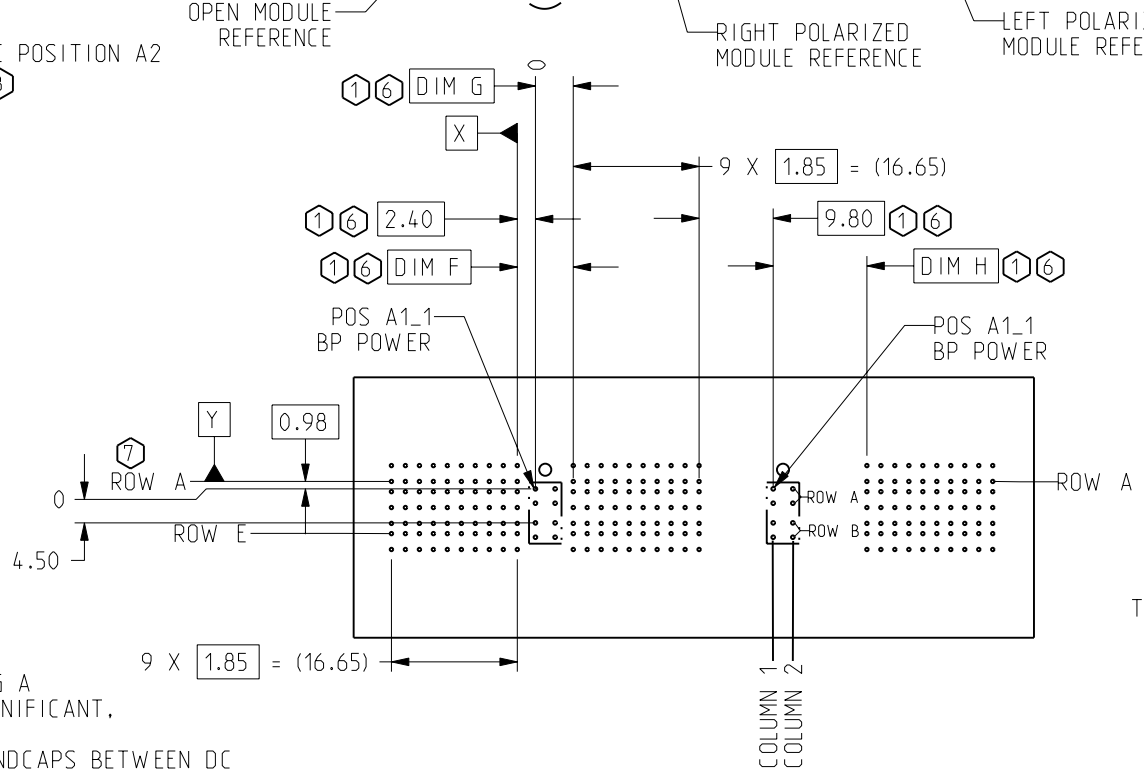
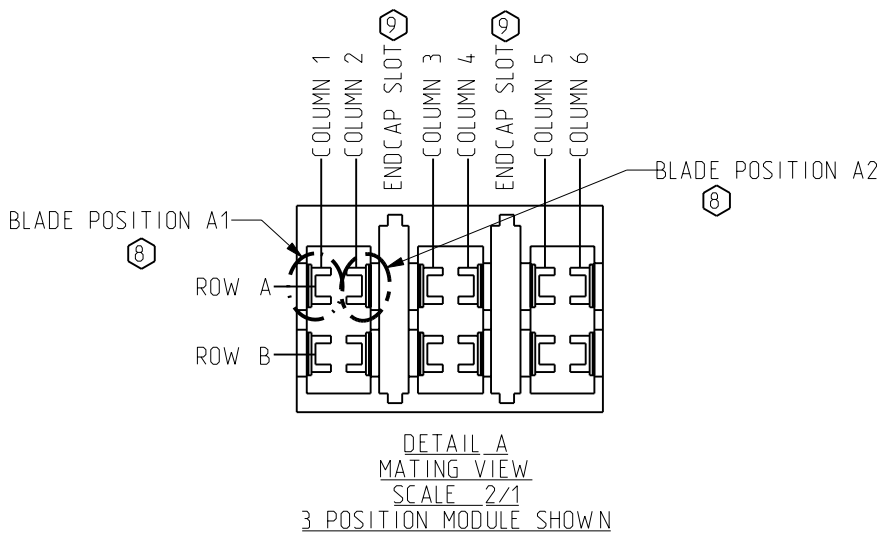
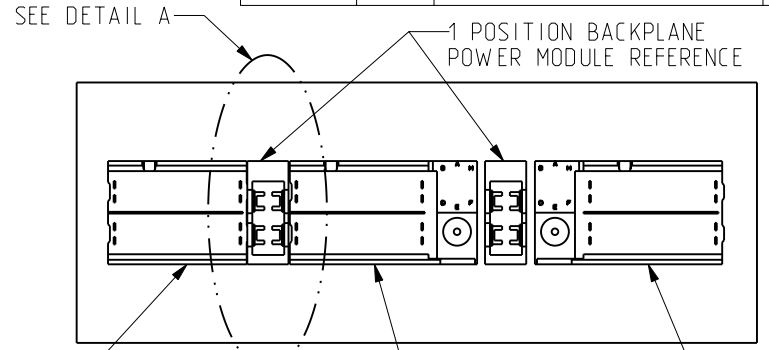
GbX POWER MODULE LEAD OFF

3 = STANDARD LOADED  
7 = CUSTOM LOADED

1 = 1 POSITION BP, 50u" GOLD, LEAD FREE  
2 = 1 POSITION BP, 50u" GOLD  
3 = 2 POSITION BP, 50u" GOLD, LEAD FREE  
5 = 2 POSITION BP, 50u" GOLD  
7 = 3 POSITION BP, 50u" GOLD  
8 = 3 POSITION BP, 50u" GOLD, LEAD FREE

ROW A  
4 = 4.5mm  
6 = 6.0mm  
7 = 7.5mm

ROW B  
4 = 4.5mm  
6 = 6.0mm  
7 = 7.5mm

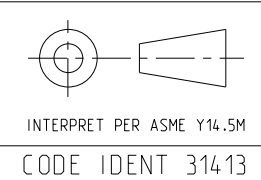


- ⑩ IF THE 4TH DIGIT OF THE PART NUMBER IS 7, INDICATING A CUSTOM PART NUMBER, DIGITS 5 THROUGH 10 ARE NOT SIGNIFICANT, AND DO NOT FOLLOW THE PARADIGM IN THIS TABLE.
- ⑨ 2 POSITION AND 3 POSITION MODULES WILL ACCEPT DC ENDCAPS BETWEEN DC POWER MODULES WITH NO ADDITIONAL SPACING REQUIRED.
- ⑧ BLADE POSITION A1 CONTAINS PINS A1\_1 AND A1\_2.
- ⑦ REFER TO BP CUSTOMER USE DRAWINGS FOR ROW AND COLUMN ASSIGNMENTS.
- ⑥ WHEN USING ENDCAPS BETWEEN SIGNAL WAFERS AND DC POWER MODULES ADD 1.85mm FOR EACH ENDCAP. VIEW SHOWN WITHOUT ENDCAPS. FOR ENDCAPS THAT ARE USED BETWEEN DC POWER MODULES AND DO NOT PLUG INTO A MULTI-UP BP POWER MODULE, ADD 1.85mm FOR EACH ENDCAP.
- 5. REFER TO TB-2085 FOR GbX PRODUCT SPECIFICATIONS AND TB-2104 FOR POWER APPLICATION GUIDE.
- ④ STATED PAD SIZE MAY REQUIRE FILLETING. SEE TB-2090 FOR ROUTING GUIDELINES.
- 3. REMOVED.
- ③ NO SURFACE TRACES IN KEEP OUT ZONE.
- ② FOR EACH ADDITIONAL POWER MODULE, ADD 5.55mm FOR 1 POSITION MODULES, 12.95mm FOR 2 POSITION MODULES, OR 20.35mm FOR 3 POSITION MODULES.

TYPICAL DIMENSIONS FOR  
BP POWER PLACEMENT RELATIVE TO  
BP SIGNAL SHROUDS

**TABLE 2**

	DIM F	DIM G	DIM H
1 POSITION MODULE	7.40	5.00	12.40
2 POSITION MODULE	14.80	12.40	19.80
3 POSITION MODULE	22.20	19.80	27.20



TOLERANCES

0.0	±0.25
0.00	±0.13
0.000	± -
ANGLES	± -

**Amphenol TCS**  
A Division of Amphenol Corporation  
200 Innovative Way, Nashua, NH 03062 603.879.3000

TITLE  
BACK PLANE POWER ASSEMBLY  
2 PAIR GbX

PART NO. SEE TABLE 1 REV

DRAWING NO. C-439-3200-500 REV B

ProeASSEM P1034-CU-BP-POWER  
P1034-CU-BP-POWER .dwg 1.1 1.13

SIZE B SCALE 1/1 SHEET 1 OF 2

NOTES

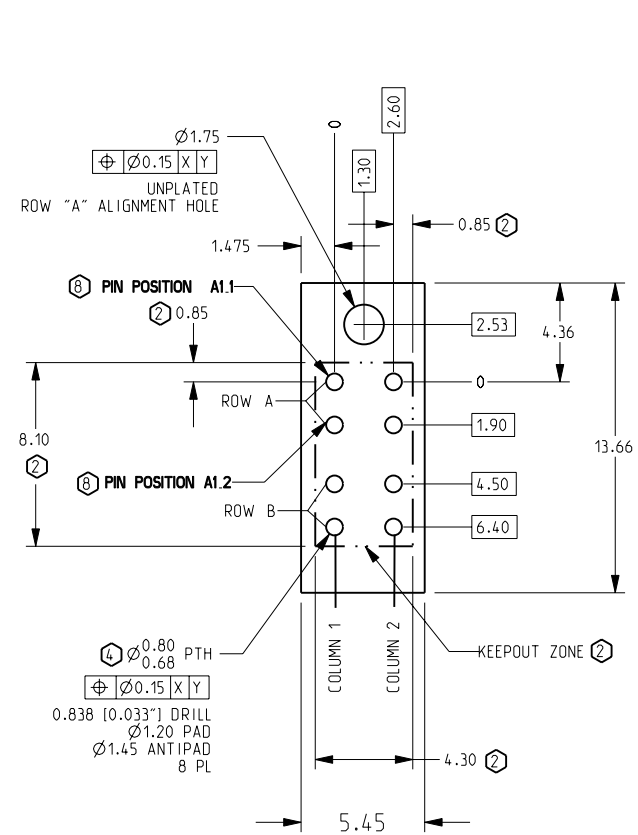
CUSTOMER USE  
DRAWING

DRW NO. C-439-3200-500

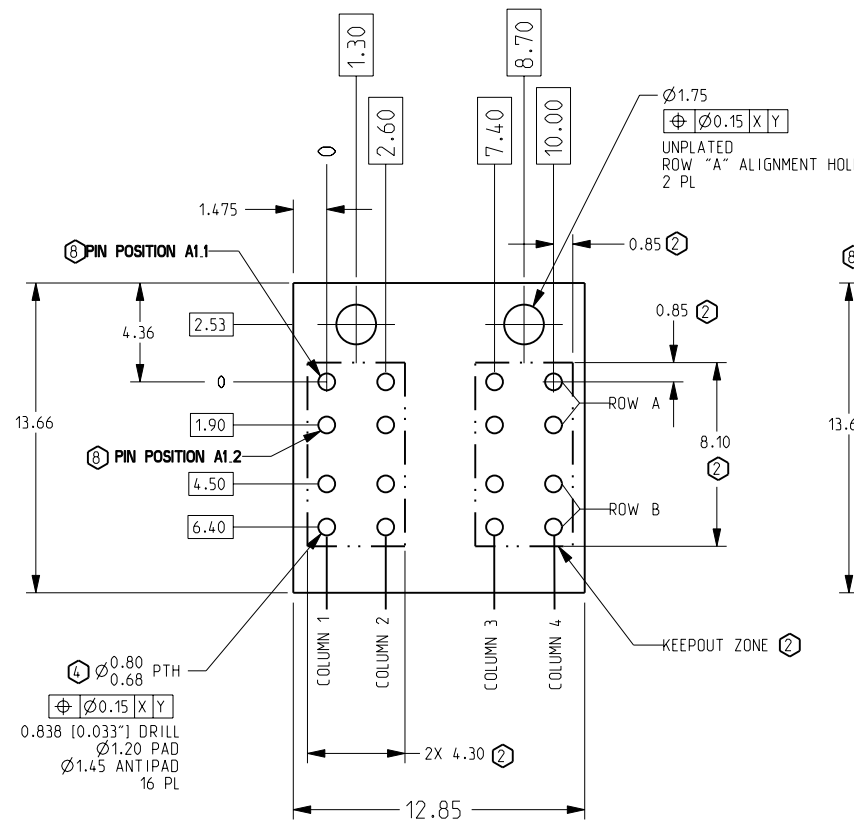
SH 1 REV B

4

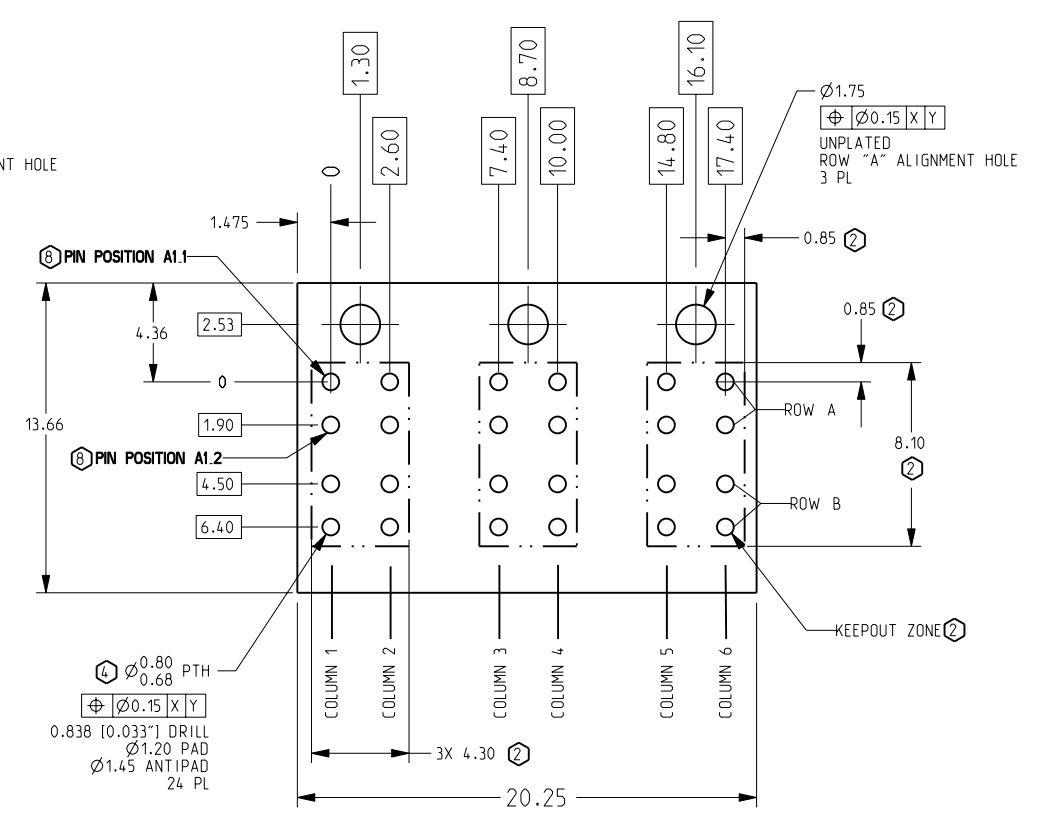
3



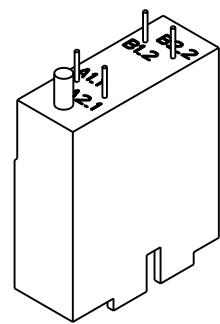
1 POSITION BP POWER  
GBX HOLE PATTERN  
SCALE 3/1



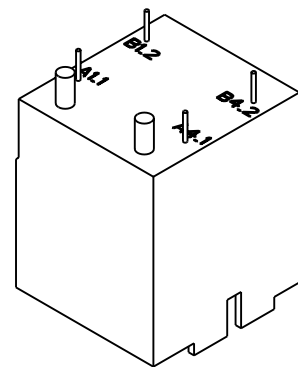
2 POSITION BP POWER  
GBX HOLE PATTERN  
SCALE 3/1



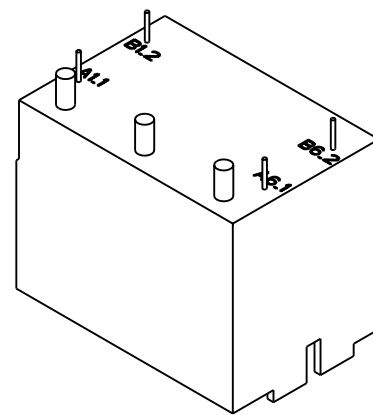
3 POSITION BP POWER  
GBX HOLE PATTERN  
SCALE 3/1



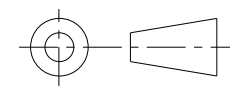
1 POSITION MODULE  
SCALE 2/1



2 POSITION MODULE  
SCALE 2/1



3 POSITION MODULE  
SCALE 2/1



INTERPRET PER ASME Y14.5M  
CODE IDENT 31413

TOLERANCES		DESIGN 09-22-2004 M.DEROSA
0.0	±0.25	DRAWN 09-22-2004 M.DEROSA
0.00	±0.13	CHK 09-22-2004 J.DUNHAM
0.000	± -	APVD 09-22-2004 J.DUNHAM
ANGLES	± -	

UNLESS OTHERWISE SPECIFIED DIMENSIONS  
ARE IN MM. DECIMAL MARKER IS PERIOD

CUSTOMER USE  
DRAWING

<b>Amphenol TCS</b> A Division of Amphenol Corporation 200 Innovative Way, Nashua, NH 03062 603.879.3000		TITLE	BACK PLANE POWER ASSEMBLY 2 PAIR GbX
		PART NO.	SEE TABLE 1
REV	B	DRAWING NO.	C-439-3200-500
REV	1.1	ProeASSEM	P1034-CU-BP-POWER
REV	1.13		P1034-CU-BP-POWER .dwg
SIZE	B	SCALE	1/1
		SHEET	2 OF 2

DRW NO.  
C-439-3200-500

SH  
2

REV  
B

4

3

2

1