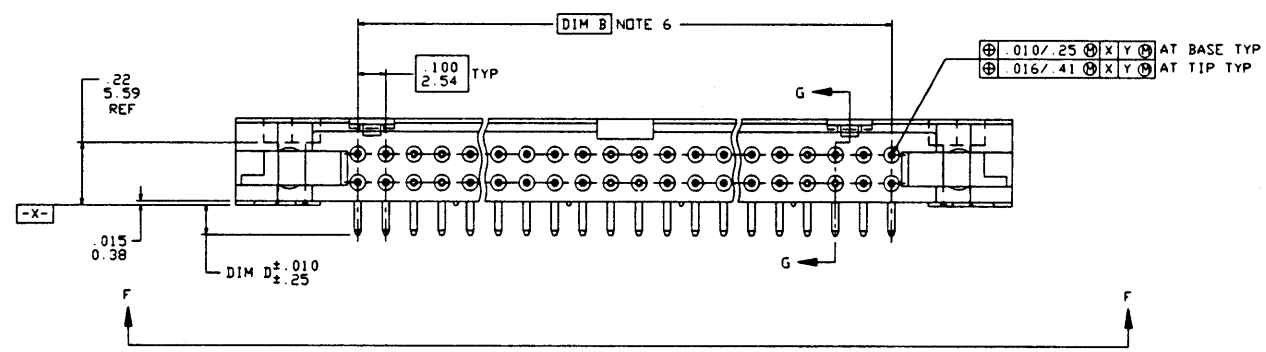
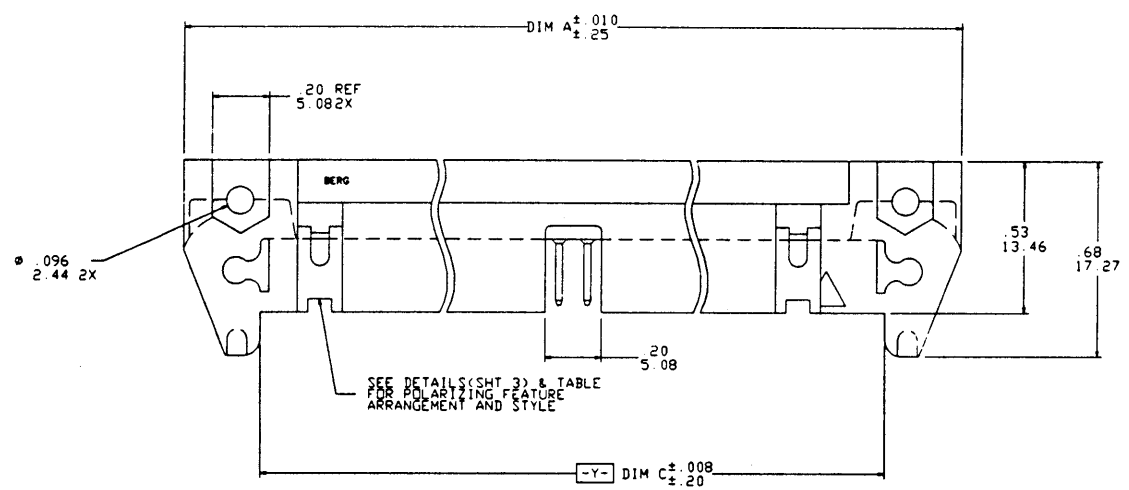


PRODUCT NUMBER
SEE TABLE

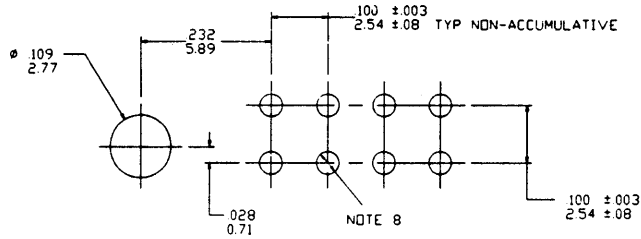


		Z	Z	AA	AC																	
		18	19	20	21																	
REVISIONS					SHEET INDEX	ISSUE																
REV	ECN/DDR#	BY	DATE	SH NO.		AC	AC	AB	Z	Z	Z	Z	Z	Z	Z	Z	Z	Z	Z	Z	Z	Z
AC	140002	LSS	07/22/94		1	2	3	4	5	6	7	8	9	10	11	12	13	14	15	16	17	
TOLERANCES UNLESS OTHERWISE SPECIFIED					MAY NOTES		DR	DATE										CUSTOMER COPY				
					002 01 / 02 3		U	1/16/90										TITLE				
					SEE TABLE		ENGR	M.SMYK 1/16/90										HEADER, QUICKIE				
					0002 005 / 002 13		CHK	M.SMYK 1/16/90										SEA, HORSE, RIGHT ANGLE				
					00002 0020 / 0002 051		APPR	M.SMYK 1/16/90										SCALE SIZE DWG NO. SHEET				
ANGLES					0 ± Z		DATE	22526										5:1 D 65823 1 of 21				
							UNIT	INCH MM										FORM E-3067 REV 8/93				

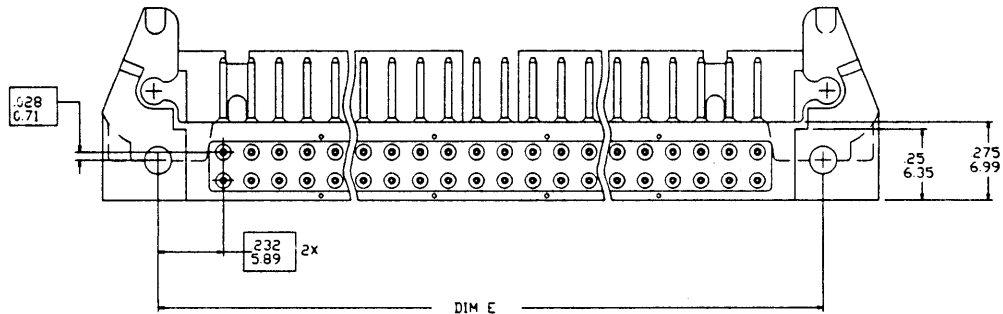
NOTE: THIS DOCUMENT IS THE PROPERTY OF AND EMBODIES PROPRIETARY INFORMATION OF BERG ELECTRONICS, INC. NO PART OF THE INFORMATION SHOWN ON THIS DOCUMENT MAY BE USED IN ANY WAY WITHOUT THE WRITTEN CONSENT OF BERG ELECTRONICS, INC.

PRODUCT NUMBER

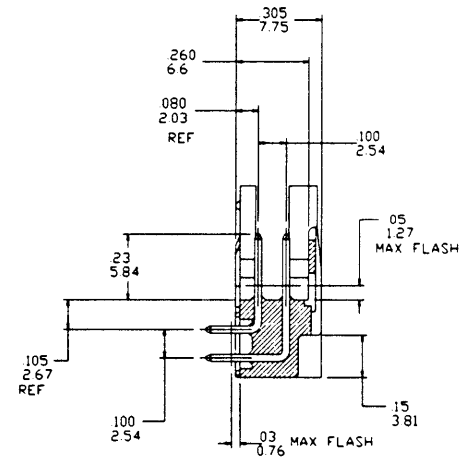
SEE TABLE



RECOMMENDED HOLE PATTERN
SCALE 10:1



VIEW F-F



SECTION G-G
ROTATED 90°CW

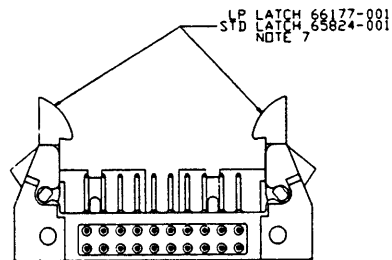
REVISIONS				SHEET INDEX	ISSUE		DATE		CUSTOMER COPY
REV	ECN/DDR#	BY	DATE		SH NO.				
AC									
				TOLERANCES UNLESS OTHERWISE SPECIFIED		MAY		DW J. SHREINER 1/16/90	
				00± 01 / 0± 3		FINISH		ENGR M. SMYK 1/16/90	
				000± 005 / 00± 13		PRODUCT FAMILY		CHK M. SMYK 1/16/90	
				0000± 0020 / 000± 051		CASE CODE		APPR M. SMYK 1/16/90	
				ANGLES 0± 2		22526			

BERG
ELECTRONICS

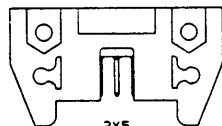
HEADER, QUICKIE
SEA-HORSE, RIGHT ANGLE
SCALE SIZE DWG NO. SHEET
5:1 D 65823 2 of 2
UNIT INCH MM
FORM E-3067 REV 8/93

NOTE: THIS DOCUMENT IS THE PROPERTY OF AND EMBODIES PROPRIETARY INFORMATION OF BERG ELECTRONICS, INC. NO PART OF THE INFORMATION SHOWN ON THIS DOCUMENT MAY BE USED IN ANY WAY WITHOUT THE WRITTEN CONSENT OF BERG ELECTRONICS, INC.

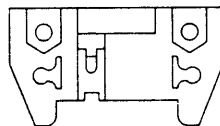
PRODUCT NUMBER
SEE TABLE



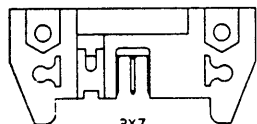
HEADER WITH LATCHES



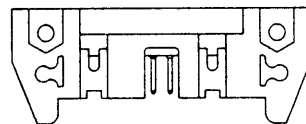
2X5
STYLE A



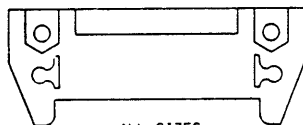
2X5
STYLE B



2X7
STYLE C



2X8 THRU 2X30
(2X10 SHOWN)
STYLE D



ALL SIZES
STYLE E

NOTES:

1. RECOMMENDED MOUNTING SCREW SIZE: #2-56 FILLISTER HD MACH SCREW, 3/8" LG FOR 1/16" & 3/32" BOARD, 7/16" LG FOR 1/8" BOARD.
2. MOLDING MAT'L: 30% GLASS FILLED POLYESTER, FLAME RETARDANT PER UL-94V-0, COLOR: BLUE.
3. PIN MAT'L: 3/4 HARD PHOS BRONZE ALLOY UNS C-51000.
4. 1° MAX DRAFT PERMISSIBLE ON ALL SURFACES UNLESS OTHERWISE SPECIFIED.
5. PLATING ON LEAD-IN PORTION OF PIN IS MANUFACTURING OPTION.
6. **B** BASIC DIM SHALL BE LOCATED SYMMETRICAL TO DATUM -Y-.
7. LOW PROFILE LATCHES TO BE USED WITH FEMALE CONNECTOR WITHOUT STRAIN RELIEF. STANDARD LATCHES TO BE USED WITH FEMALE CONNECTOR WITH STRAIN RELIEF.
8. .040±.003/1.02±.08 DIA HOLE TYP FOR SQ PINS, .035±.003/.89±.08 DIA HOLE TYP FOR RND PINS.
9. A. RETENTION FEATURE AVAILABLE ON CONNECTORS WITH .105/2.67, .120/3.05, DR .150/3.81 TAIL LENGTH. RETENTION P/N INCLUDES THE LETTER 'R' AFTER THE EXISTING P/N.
EXAMPLE: 65823-xxx FOR EXISTING P/N
65823-xxxx FOR RETENTION P/N
RETENTION FEATURE LOCATION IS MANUFACTURERS OPTION.
- B. ROUND PINS HAVE 15 LBS/6.8 KGS MAX INSERTION AND .25 LB/.1 KG MIN RETENTION FORCE WHEN USED IN .035±.003/.89±.08 DIA HOLES AND .062/1.57 THICK PC BOARD.
- C. SQUARE PINS HAVE A 15 LBS/6.8 KG MAX INSERTION AND .5 LB/.2 KG MIN RETENTION FORCE WHEN USED IN .040±.003/1.02±.08 DIA HOLES AND .062/1.57 THICK PC BOARD.

REVISIONS				SHEET INDEX	ISSUE SH NO.	MATERIAL				DATE	CUSTOMER COPY	TITLE
REV	ECN/DDR#	BY	DATE			FINISH	DR	DR	DR			
AB										1/16/90		HEADER, QUICKIE
										1/16/90		SEA-HORSE, RIGHT ANGLE
										1/16/90		SCALE SIZE DWG NO
										1/16/90		1:1 D 65823
												3 OF

BERG ELECTRONICS

PRODUCT NUMBER	SIZE	LATCHES NOTE 7	PIN SHAPE	DIM A	DIM B	DIM C	DIM D	DIM E	TERMINAL PLATING	STYLE
SEE TABLE										
65823-001	2x5	ND	RND	1.260/32.00	.400/10.16	.720/18.29	.105/2.67	.86/21.8	30u"/.76 Au OVER 50u"/1.27uNT	A
-002			SQ				.105/2.67		150u"/3.81u Sn	
-003			RND				.150/3.81		30u"/.76 Au OVER 50u"/1.27uNT	
-004			SQ				.150/3.81		150u"/3.81u Sn	
-005			SQ				.675/17.15		30u"/.76 Au OVER 50u"/1.27uNT	
-006	2x5		SQ	1.260/32.00	.400/10.16	.720/18.29	.675/17.15	.86/21.8	150u"/3.81u Sn	A
-007	2x7		RND	1.460/37.08	.600/15.24	.920/23.37	.105/2.67	1.06/26.9	30u"/.76 Au OVER 50u"/1.27uNT	C
-008			SQ				.105/2.67		150u"/3.81u Sn	
-009			RND				.150/3.81		30u"/.76 Au OVER 50u"/1.27uNT	
-010			SQ				.150/3.81		150u"/3.81u Sn	
-011			SQ				.675/17.15		30u"/.76 Au OVER 50u"/1.27uNT	
-012	2x7		SQ	1.460/37.08	.600/15.24	.920/23.37	.675/17.15	1.06/26.9	150u"/3.81u Sn	C
-013	2x8		RND	1.560/39.62	.700/17.78	1.020/25.91	.105/2.67	1.16/29.4	30u"/.76 Au OVER 50u"/1.27uNT	D
-014			SQ				.105/2.67		150u"/3.81u Sn	
-015			RND				.150/3.81		30u"/.76 Au OVER 50u"/1.27uNT	
-016			SQ				.150/3.81		150u"/3.81u Sn	
-017			SQ				.675/17.15		30u"/.76 Au OVER 50u"/1.27uNT	
-018	2x8		SQ	1.560/39.62	.700/17.78	1.020/25.91	.675/17.15	1.16/29.4	150u"/3.81u Sn	
-019	2x10		RND	1.760/44.70	.900/22.86	1.220/30.99	.105/2.67	1.36/34.5	30u"/.76 Au OVER 50u"/1.27uNT	
-020			SQ				.105/2.67		150u"/3.81u Sn	
-021			RND				.150/3.81		30u"/.76 Au OVER 50u"/1.27uNT	
-022			SQ				.150/3.81		150u"/3.81u Sn	
-023			SQ				.675/17.15		30u"/.76 Au OVER 50u"/1.27uNT	
-024	2x10		SQ	1.760/44.70	.900/22.86	1.220/30.99	.675/17.15	1.36/34.5	150u"/3.81u Sn	
-025	2x13		RND	2.060/52.32	1.200/30.48	1.520/38.61	.105/2.67	1.66/42.1	30u"/.76 Au OVER 50u"/1.27uNT	
-026			SQ				.105/2.67		150u"/3.81u Sn	
-027			RND				.150/3.81		30u"/.76 Au OVER 50u"/1.27uNT	
-028			SQ				.150/3.81		150u"/3.81u Sn	
-029			SQ				.675/17.15		30u"/.76 Au OVER 50u"/1.27uNT	
-030	2x13		SQ	2.060/52.32	1.200/30.48	1.520/38.61	.675/17.15	1.66/42.1	150u"/3.81u Sn	
-031	2x17		RND	2.460/62.48	1.600/40.64	1.920/48.77	.105/2.67	2.06/52.3	30u"/.76 Au OVER 50u"/1.27uNT	
-032			SQ				.105/2.67		150u"/3.81u Sn	
-033			RND				.150/3.81		30u"/.76 Au OVER 50u"/1.27uNT	
-034			SQ				.150/3.81		150u"/3.81u Sn	
-035			SQ				.675/17.15		30u"/.76 Au OVER 50u"/1.27uNT	
65823-036	2x17	ND	SQ	2.460/62.48	1.600/40.64	1.920/48.77	.675/17.15	2.06/52.3	150u"/3.81u Sn	D

REVISIONS				SHEET INDEX	ISSUE	SH. NO.	MAY	OR	DATE	CUSTOMER COPY
REV	ECN/DDR#	BY	DATE							
Z									1/16/90	
									1/16/90	
									1/16/90	
									1/16/90	
									1/16/90	

BERG ELECTRONICS

TOLERANCES UNLESS OTHERWISE SPECIFIED
 .002 .01 / .02 J
 .0002 .005 / .002 .13
 .0002 .0020 / .0002 .051

FINISH
 PRODUCT FAMILY
 CASE CODE
 22526

SHREINER
 M.SMYK
 M.SMYK
 M.SMYK

DATE
 1/16/90
 1/16/90
 1/16/90

CUSTOMER COPY

THIRD ANGLE PROJ.
 UNIT INCH
 UNIT

TITLE
 HEADER, QUICKIE
 SEA-HEADER, RIGHT ANGLE

SCALE
 1:1 D

SIZE
 65823

TOWNS NO.
 4 of

FORM E-3067 REV 8/93

NOTE: THIS DOCUMENT IS THE PROPERTY OF AND EMBODIES PROPRIETARY INFORMATION OF BERG ELECTRONICS, INC. NO PART OF THE INFORMATION SHOWN ON THIS DOCUMENT MAY BE USED IN ANY WAY WITHOUT THE WRITTEN CONSENT OF BERG ELECTRONICS, INC.

PRODUCT NUMBER	SIZE	LATCHES NOTE 7	PIN SHAPE	DIM A	DIM B	DIM C	DIM D	DIM E	TERMINAL PLATING	STYLE
65823-037	2x20	NO	RND	2.760/70.10	1.900/48.26	2.220/56.39	.105/2.67	2.36/59.9	30u"/.76u Au OVER 50u"/1.27u Nt	D
-038			SO				.105/2.67		150u"/3.81u Sn	
-039			RND				.150/3.81		30u"/.76u Au OVER 50u"/1.27u Nt	
-040			SO				.150/3.81		150u"/3.81u Sn	
-041			SO				.675/17.15		30u"/.76u Au OVER 50u"/1.27u Nt	
-042	2x20		SO	2.760/70.10	1.900/48.26	2.220/56.39	.675/17.15	2.36/59.9	150u"/3.81u Sn	
-043	2x25		RND	3.260/82.80	2.400/60.96	2.720/69.09	.105/2.67	2.86/72.6	30u"/.76u Au OVER 50u"/1.27u Nt	
-044			SO				.105/2.67		150u"/3.81u Sn	
-045			RND				.150/3.81		30u"/.76u Au OVER 50u"/1.27u Nt	
-046			SO				.150/3.81		150u"/3.81u Sn	
-047			SO				.675/17.15		30u"/.76u Au OVER 50u"/1.27u Nt	
-048	2x25	NO	SO	3.260/82.80	2.400/60.96	2.720/69.09	.675/17.15	2.86/72.6	150u"/3.81u Sn	D
-049	2x5	STD	RND	1.260/32.00	.400/10.16	.720/18.29	.105/2.67	.86/21.8	30u"/.76u Au OVER 50u"/1.27u Nt	A
-050			SO				.105/2.67		150u"/3.81u Sn	
-051			RND				.150/3.81		30u"/.76u Au OVER 50u"/1.27u Nt	
-052			SO				.150/3.81		150u"/3.81u Sn	
-053			SO				.675/17.15		30u"/.76u Au OVER 50u"/1.27u Nt	
-054	2x5		SO	1.260/32.00	.400/10.16	.720/18.29	.675/17.15	.86/21.8	150u"/3.81u Sn	A
-055	2x7		RND	1.460/37.08	.600/15.24	.920/23.37	.105/2.67	1.06/26.9	30u"/.76u Au OVER 50u"/1.27u Nt	C
-056			SO				.105/2.67		150u"/3.81u Sn	
-057			RND				.150/3.81		30u"/.76u Au OVER 50u"/1.27u Nt	
-058			SO				.150/3.81		150u"/3.81u Sn	
-059			SO				.675/17.15		30u"/.76u Au OVER 50u"/1.27u Nt	
-060	2x7		SO	1.460/37.08	.600/15.24	.920/23.37	.675/17.15	1.06/26.9	150u"/3.81u Sn	C
-061	2x8		RND	1.560/39.62	.700/17.78	1.020/25.91	.105/2.67	1.16/29.4	30u"/.76u Au OVER 50u"/1.27u Nt	D
-062			SO				.105/2.67		150u"/3.81u Sn	
-063			RND				.150/3.81		30u"/.76u Au OVER 50u"/1.27u Nt	
-064			SO				.150/3.81		150u"/3.81u Sn	
-065			SO				.675/17.15		30u"/.76u Au OVER 50u"/1.27u Nt	
-066	2x3		SO	1.560/39.62	.700/17.78	1.020/25.91	.675/17.15	1.16/29.4	150u"/3.81u Sn	
-067	2x10		RND	1.760/44.70	.900/22.86	1.220/30.99	.105/2.67	1.36/34.5	30u"/.76u Au OVER 50u"/1.27u Nt	
-068			SO				.105/2.67		150u"/3.81u Sn	
-069			RND				.150/3.81		30u"/.76u Au OVER 50u"/1.27u Nt	
-070			SO				.150/3.81		150u"/3.81u Sn	
-071			SO				.675/17.15		30u"/.76u Au OVER 50u"/1.27u Nt	
65823-072	2x10	STD	SO	1.760/44.70	.900/22.86	1.220/30.99	.675/17.15	1.36/34.5	150u"/3.81u Sn	D

REVISIONS				SHEET INDEX	ISSUE SH NO.	DATE	BY	APP'D	CHK'D	DATE	CUSTOMER COPY
REV	ECN/DDR#	BY	DATE								
2											

BERG
ELECTRONICS

HEADER, QUICKIE
SEA HORSE, RIGHT ANGLE


SCALE: 1:1 D 65823 5 of 5

FORM E-3067 REV 8/93

NOTE: THIS DOCUMENT IS THE PROPERTY OF AND EMBODIES PROPRIETARY INFORMATION OF BERG ELECTRONICS, INC. NO PART OF THE INFORMATION SHOWN ON THIS DOCUMENT MAY BE USED IN ANY WAY WITHOUT THE WRITTEN CONSENT OF BERG ELECTRONICS, INC.

PRODUCT NUMBER	SIZE	LATCHES NOTE 7	PIN SHAPE	DIM A	DIM B	DIM C	DIM D	DIM E	TERMINAL PLATING	STYLE
65823										
65823-073	2x13	STD	PND	2.060/52.32	1.200/30.48	1.520/38.61	.105/2.67	1.66/42.1	30u"/.76u Au OVER 50u"/1.27u Nt	D
-074			SO				.105/2.67		150u"/3.81u"/1.27u Nt	
-075			RND				.150/3.81		30u"/.76u Au OVER 50u"/1.27u Nt	
-076			SO				.150/3.81		150u"/3.81u"/1.27u Nt	
-077			SO				.675/17.15		30u"/.76u Au OVER 50u"/1.27u Nt	
-078	2x13		SO	2.060/52.32	1.200/30.48	1.520/38.61	.675/17.15	1.66/42.1	150u"/3.81u"/1.27u Nt	
-079	2x17		RND	2.460/62.48	1.600/40.64	1.920/48.77	.105/2.67	2.06/52.3	30u"/.76u Au OVER 50u"/1.27u Nt	
-080			SO				.105/2.67		150u"/3.81u"/1.27u Nt	
-081			RND				.150/3.81		30u"/.76u Au OVER 50u"/1.27u Nt	
-082			SO				.150/3.81		150u"/3.81u"/1.27u Nt	
-083			SO				.675/17.15		30u"/.76u Au OVER 50u"/1.27u Nt	
-084	2x17		SO	2.460/62.48	1.600/40.64	1.920/48.77	.675/17.15	2.06/52.3	150u"/3.81u"/1.27u Nt	
-085	2x20		RND	2.760/70.10	1.900/48.26	2.220/56.39	.105/2.67	2.36/59.9	30u"/.76u Au OVER 50u"/1.27u Nt	
-086			SO				.105/2.67		150u"/3.81u"/1.27u Nt	
-087			RND				.150/3.81		30u"/.76u Au OVER 50u"/1.27u Nt	
-088			SO				.150/3.81		150u"/3.81u"/1.27u Nt	
-089			SO				.675/17.15		30u"/.76u Au OVER 50u"/1.27u Nt	
-090	2x20		SO	2.760/70.10	1.900/48.26	2.220/56.39	.675/17.15	2.36/59.9	150u"/3.81u"/1.27u Nt	
-091	2x25		RND	3.260/82.80	2.400/60.96	2.720/69.09	.105/2.67	2.86/72.6	30u"/.76u Au OVER 50u"/1.27u Nt	
-092			SO				.105/2.67		150u"/3.81u"/1.27u Nt	
-093			RND				.150/3.81		30u"/.76u Au OVER 50u"/1.27u Nt	
-094			SO				.150/3.81		150u"/3.81u"/1.27u Nt	
-095			SO				.675/17.15		30u"/.76u Au OVER 50u"/1.27u Nt	
-096	2x25	STD	SO	3.260/82.80	2.400/60.96	2.720/69.09	.675/17.15	2.86/72.6	150u"/3.81u"/1.27u Nt	
-097	2x30	ND	RND	3.760/95.50	2.900/73.66	3.220/81.79	.105/2.67	3.36/85.3	30u"/.76u Au OVER 50u"/1.27u Nt	
-098			SO				.105/2.67		150u"/3.81u"/1.27u Nt	
-099			RND				.150/3.81		30u"/.76u Au OVER 50u"/1.27u Nt	
-100			SO				.150/3.81		150u"/3.81u"/1.27u Nt	
-101			SO				.675/17.15		30u"/.76u Au OVER 50u"/1.27u Nt	
-102		ND	SO				.675/17.15		150u"/3.81u"/1.27u Nt	
-103		STD	RND				.105/2.67		30u"/.76u Au OVER 50u"/1.27u Nt	
-104			SO				.105/2.67		150u"/3.81u"/1.27u Nt	
-105			RND				.150/3.81		30u"/.76u Au OVER 50u"/1.27u Nt	
-106			SO				.150/3.81		150u"/3.81u"/1.27u Nt	
-107			SO				.675/17.15		30u"/.76u Au OVER 50u"/1.27u Nt	
65823-108	2x30	STD	SO	3.760/95.50	2.900/73.66	3.220/81.79	.675/17.15	3.36/85.3	150u"/3.81u"/1.27u Nt	D

REVISIONS				SHEET INDEX	ISSUE	DATE		CUSTOMER COPY		
REV	ECN/DDR#	BY	DATE	SH NO.						
7										
TOLERANCES UNLESS OTHERWISE SPECIFIED					FRSH	DR	J. SHREINER	DATE	1/16/90	
0.02 / 0.03					ENGR	CHK	M. SMYK	DATE	1/16/90	
0.002 / 0.005 / 0.0013					PRODUCT FAMILY	APPD	M. SMYK	DATE	1/16/90	
0.0002 / 0.0020 / 0.0002 / 0.01					DWG CODE	22526	APPD	M. SMYK	DATE	1/16/90
ANGLES					0 ± 7					



BERG ELECTRONICS
 TITLE: HEADER, QUICKIE
 SEA-HORSE, RIGHT ANGLE
 SCALE: SIZE DWG NO. 65823
 SHEET 6 OF 6
 FORM E-3067 REV 8/93

NOTE: THIS DOCUMENT IS THE PROPERTY OF AND EMBODIES PROPRIETARY INFORMATION OF BERG ELECTRONICS, INC. NO PART OF THE INFORMATION SHOWN ON THIS DOCUMENT MAY BE USED IN ANY WAY WITHOUT THE WRITTEN CONSENT OF BERG ELECTRONICS, INC.

PRODUCT NUMBER	SIZE	LATCHES NOTE 7	PIN SHAPE	DIM A	DIM B	DIM C	DIM D	DIM E	TERMINAL PLATING	STYLE
65823-109	2x5	NO	SO	1.260/32.00	.400/10.16	.720/18.29	.105/2.67	.86/21.8	30u"/.76u Au OVER 50u"/1.27u Nt	A
-110	2x7			1.460/37.08	.600/15.24	.920/23.37		1.06/26.9		C
-111	2x8			1.560/39.62	.700/17.78	1.020/25.91		1.16/29.4		D
-112	2x10			1.760/44.70	.900/22.86	1.220/30.99		1.36/34.5		
-113	2x13			2.060/52.32	1.200/30.48	1.520/38.61		1.66/42.1		
-114	2x17			2.460/62.48	1.600/40.64	1.920/48.77		2.06/52.3		
-115	2x20			2.760/70.10	1.900/48.26	2.220/56.39		2.36/59.9		
-116	2x25			3.260/82.80	2.400/60.96	2.720/69.09		2.86/72.6		
-117	2x30	NO		3.760/95.50	2.900/73.66	3.220/81.79		3.36/85.3		D
-118	2x5	STD		1.260/32.00	.400/10.16	.720/18.29		.86/21.8		A
-119	2x7			1.460/37.08	.600/15.24	.920/23.37		1.06/26.9		C
-120	2x8			1.560/39.62	.700/17.78	1.020/25.91		1.16/29.4		D
-121	2x10			1.760/44.70	.900/22.86	1.220/30.99		1.36/34.5		
-122	2x13			2.060/52.32	1.200/30.48	1.520/38.61		1.66/42.1		
-123	2x17			2.460/62.48	1.600/40.64	1.920/48.77		2.06/52.3		
-124	2x20			2.760/70.10	1.900/48.26	2.220/56.39		2.36/59.9		
-125	2x25			3.260/82.80	2.400/60.96	2.720/69.09		2.86/72.6		
-126	2x30	STD	SO	3.760/95.50	2.900/73.66	3.220/81.79	.105/2.67	3.36/85.3	30u"/.76u Au OVER 50u"/1.27u Nt	D
-127	2x5	NO	RND	1.260/32.00	.400/10.16	.720/18.29	.150/3.81	.86/21.8	30u"/.76u GXT/GOLD FLASH	A
-128	2x7			1.460/37.08	.600/15.24	.920/23.37		1.06/26.9		C
-129	2x8			1.560/39.62	.700/17.78	1.020/25.91		1.16/29.4		D
-130	2x10			1.760/44.70	.900/22.86	1.220/30.99		1.36/34.5		
-131	2x13			2.060/52.32	1.200/30.48	1.520/38.61		1.66/42.1		
-132	2x17			2.460/62.48	1.600/40.64	1.920/48.77		2.06/52.3		
-133	2x20			2.760/70.10	1.900/48.26	2.220/56.39		2.36/59.9		
-134	2x25			3.260/82.80	2.400/60.96	2.720/69.09		2.86/72.6		
-135	2x30	NO		3.760/95.50	2.900/73.66	3.220/81.79		3.36/85.3		D
-136	2x5	STD		1.260/32.00	.400/10.16	.720/18.29		.86/21.8		A
-137	2x7			1.460/37.08	.600/15.24	.920/23.37		1.06/26.9		C
-138	2x8			1.560/39.62	.700/17.78	1.020/25.91		1.16/29.4		D
-139	2x10			1.760/44.70	.900/22.86	1.220/30.99		1.36/34.5		
-140	2x13			2.060/52.32	1.200/30.48	1.520/38.61		1.66/42.1		
-141	2x17			2.460/62.48	1.600/40.64	1.920/48.77		2.06/52.3		
-142	2x20			2.760/70.10	1.900/48.26	2.220/56.39		2.36/59.9		
-143	2x25			3.260/82.80	2.400/60.96	2.720/69.09		2.86/72.6		
65823-144	2x30	STD	RND	3.760/95.50	2.900/73.66	3.220/81.79	.150/3.81	3.36/85.3	30u"/.76u GXT/GOLD FLASH	D

REVISIONS				SHEET INDEX	ISSUE				
REV	ECN/DDR#	BY	DATE	SH NO.					
Z									
				TOLERANCES UNLESS OTHERWISE SPECIFIED	MAT	DR	DATE	CUSTOMER COPY	
				000± 01 / 00± 3	FINISH	ENGR	1/16/90		
				LINEAR	000± 005 / 00± 13	PRODUCT FAMILY	CHKR	M.SMYK 1/16/90	
				0000± 0020 / 000± 051	DATE CODE	APPRO	M.SMYK 1/16/90	THIRD ANGLE PROJ	
				ANGLES	0± 7	22526		UNIT INCH MM	

BERG ELECTRONICS

HEADER, QUICKIE
SEA-HORSE, RIGHT ANGLE

SCALE: 1:1 D

DWG NO: 65823

SHEET 7 of 7

FORM E-3067 REV 8/93

NOTE: THIS DOCUMENT IS THE PROPERTY OF AND EMBODIES PROPRIETARY INFORMATION OF BERG ELECTRONICS, INC. NO PART OF THE INFORMATION SHOWN ON THIS DOCUMENT MAY BE USED IN ANY WAY WITHOUT THE WRITTEN CONSENT OF BERG ELECTRONICS, INC.

PRODUCT NUMBER	SIZE	LATCHES NOTE 7	PIN SHAPE	DIM A	DIM B	DIM C	DIM D	DIM E	TERMINAL PLATING	STYLE
65823-145	2x5	LP	RND	1.260/32.00	.400/10.16	.720/18.29	.105/2.67	.86/21.8	30u"/.76u Au OVER 50u"/1.27u Nt	A
-146			SO				.105/2.67		150u"/.3.81u Sn	
-147			RND				.150/3.81		30u"/.76u Au OVER 50u"/1.27u Nt	
-148			SO				.150/3.81		150u"/.3.81u Sn	
-149			SO				.675/17.15		30u"/.76u Au OVER 50u"/1.27u Nt	
-150	2x5		SO	1.260/32.00	.400/10.16	.720/18.29	.675/17.15	.86/21.8	150u"/.3.81u Sn	A
-151	2x7		RND	1.460/37.08	.600/15.24	.920/23.37	.105/2.67	1.06/26.9	30u"/.76u Au OVER 50u"/1.27u Nt	C
-152			SO				.105/2.67		150u"/.3.81u Sn	
-153			RND				.150/3.81		30u"/.76u Au OVER 50u"/1.27u Nt	
-154			SO				.150/3.81		150u"/.3.81u Sn	
-155			SO				.675/17.15		30u"/.76u Au OVER 50u"/1.27u Nt	
-156	2x7		SO	1.460/37.08	.600/15.24	.920/23.37	.675/17.15	1.06/26.9	150u"/.3.81u Sn	C
-157	2x8		RND	1.560/39.62	.700/17.78	1.020/25.91	.105/2.67	1.16/29.4	30u"/.76u Au OVER 50u"/1.27u Nt	D
-158			SO				.105/2.67		150u"/.3.81u Sn	
-159			RND				.150/3.81		30u"/.76u Au OVER 50u"/1.27u Nt	
-160			SO				.150/3.81		150u"/.3.81u Sn	
-161			SO				.675/17.15		30u"/.76u Au OVER 50u"/1.27u Nt	
-162	2x8		SO	1.560/39.62	.700/17.78	1.020/25.91	.675/17.15	1.16/29.4	150u"/.3.81u Sn	
-163	2x10		RND	1.760/44.70	.900/22.86	1.220/30.99	.105/2.67	1.36/34.5	30u"/.76u Au OVER 50u"/1.27u Nt	
-164			SO				.105/2.67		150u"/.3.81u Sn	
-165			RND				.150/3.81		30u"/.76u Au OVER 50u"/1.27u Nt	
-166			SO				.150/3.81		150u"/.3.81u Sn	
-167			SO				.675/17.15		30u"/.76u Au OVER 50u"/1.27u Nt	
-168	2x10		SO	1.760/44.70	.900/22.86	1.220/30.99	.675/17.15	1.36/34.5	150u"/.3.81u Sn	
-169	2x13		RND	2.060/52.32	1.200/30.48	1.520/38.61	.105/2.67	1.66/42.1	30u"/.76u Au OVER 50u"/1.27u Nt	
-170			SO				.105/2.67		150u"/.3.81u Sn	
-171			RND				.150/3.81		30u"/.76u Au OVER 50u"/1.27u Nt	
-172			SO				.150/3.81		150u"/.3.81u Sn	
-173			SO				.675/17.15		30u"/.76u Au OVER 50u"/1.27u Nt	
-174	2x13		SO	2.060/52.32	1.200/30.48	1.520/38.61	.675/17.15	1.66/42.1	150u"/.3.81u Sn	
-175	2x17		RND	2.460/62.48	1.600/40.64	1.920/48.77	.105/2.67	2.06/52.3	30u"/.76u Au OVER 50u"/1.27u Nt	
-176			SO				.105/2.67		150u"/.3.81u Sn	
-177			RND				.150/3.81		30u"/.76u Au OVER 50u"/1.27u Nt	
-178			SO				.150/3.81		150u"/.3.81u Sn	
-179			SO				.675/17.15		30u"/.76u Au OVER 50u"/1.27u Nt	
65823-180	2x17	LP	SO	2.460/62.48	1.600/40.64	1.920/48.77	.675/17.15	2.06/52.3	150u"/.3.81u Sn	D

REVISIONS				SHEET INDEX	ISSUE
REV	ECN/DDR#	BY	DATE	SH NO.	
1					

TOLERANCES UNLESS OTHERWISE SPECIFIED	MAT	DR	DATE	CUSTOMER COPY
0.008 01 / 0.013	FINISH	J. SHREINER	1/18/90	
0.008 005 / 0.013	PRODUCT FAMILY	M. SMYK	1/16/90	
0.008 0020 / 0.008 051	PACK CODE	M. SMYK	1/16/90	
ANGLES	22526	M. SMYK	1/16/90	

BERG ELECTRONICS

HEADER, QUICKIE
SEA-HORSE, RIGHT ANGLE

SCALE: SIZE 1:10 DWG. NO. 65823 SHEET 8 of

UNIT: INCH MM

FORM E-3067 REV 8/93

NOTE: THIS DOCUMENT IS THE PROPERTY OF AND EMBODIES PROPRIETARY INFORMATION OF BERG ELECTRONICS, INC. NO PART OF THE INFORMATION SHOWN ON THIS DOCUMENT MAY BE USED IN ANY WAY WITHOUT THE WRITTEN CONSENT OF BERG ELECTRONICS, INC.

PRODUCT NUMBER	SIZE	LATCHES NOTE 7	PIN SHAPE	DIM A	DIM B	DIM C	DIM D	DIM E	TERMINAL PLATING	STYLE
65823-181	2x20	LP	RND	2.760/70.10	1.900/48.26	2.220/56.39	.105/2.67	2.36/59.9	30u"/.76u OVER 50u"/1.27u Nt	D
-182			SO				.105/2.67		150u"/3.81u Sn	
-183			RND				.150/3.81		30u"/.76u OVER 50u"/1.27u Nt	
-184			SO				.150/3.81		150u"/3.81u Sn	
-185			SO				.675/17.15		30u"/.76u OVER 50u"/1.27u Nt	
-186	2x20		SO	2.760/70.10	1.900/48.26	2.220/56.39	.675/17.15	2.36/59.9	150u"/3.81u Sn	
-187	2x25		RND	3.260/82.80	2.400/60.96	2.720/69.09	.105/2.67	2.86/72.6	30u"/.76u OVER 50u"/1.27u Nt	
-188			SO				.105/2.67		150u"/3.81u Sn	
-189			RND				.150/3.81		30u"/.76u OVER 50u"/1.27u Nt	
-190			SO				.150/3.81		150u"/3.81u Sn	
-191			SO				.675/17.15		30u"/.76u OVER 50u"/1.27u Nt	
-192	2x25		SO	3.260/82.80	2.400/60.96	2.720/69.09	.675/17.15	2.86/72.6	150u"/3.81u Sn	
-193	2x30		RND	3.760/95.50	2.900/73.66	3.220/81.79	.105/2.67	3.36/85.3	30u"/.76u OVER 50u"/1.27u Nt	
-194			SO				.105/2.67		150u"/3.81u Sn	
-195			RND				.150/3.81		30u"/.76u OVER 50u"/1.27u Nt	
-196			SO				.150/3.81		150u"/3.81u Sn	
-197			SO				.675/17.15		30u"/.76u OVER 50u"/1.27u Nt	
-198	2x30			3.760/95.50	2.900/73.66	3.220/81.79	.675/17.15	3.36/85.3	150u"/3.81u Sn	D
-199	2x5			1.260/32.00	.400/10.16	.720/18.29	.105/2.67	.86/21.8	30u"/.76u OVER 50u"/1.27u Nt	A
-200	2x7			1.460/37.08	.600/15.24	.920/23.37		1.06/26.9		C
-201	2x8			1.560/39.62	.700/17.78	1.020/25.91		1.16/29.4		D
-202	2x10			1.760/44.70	.900/22.86	1.220/30.99		1.36/34.5		
-203	2x13			2.060/52.32	1.200/30.48	1.520/38.61		1.66/42.1		
-204	2x17			2.460/62.48	1.600/40.64	1.920/48.77		2.06/52.3		
-205	2x20			2.760/70.10	1.900/48.26	2.220/56.39		2.36/59.9		
-206	2x25			3.260/82.80	2.400/60.96	2.720/69.09		2.86/72.6		
-207	2x30		SO	3.760/95.50	2.900/73.66	3.220/81.79	.105/2.67	3.36/85.3	30u"/.76u OVER 50u"/1.27u Nt	D
-208	2x5		RND	1.260/32.00	.400/10.16	.720/18.29	.150/3.81	.86/21.8	30u"/.76u GXT/GOLD FLASH	A
-209	2x7			1.460/37.08	.600/15.24	.920/23.37		1.06/26.9		C
-210	2x8			1.560/39.62	.700/17.78	1.020/25.91		1.16/29.4		D
-211	2x10			1.760/44.70	.900/22.86	1.220/30.99		1.36/34.5		
-212	2x13			2.060/52.32	1.200/30.48	1.520/38.61		1.66/42.1		
-213	2x17			2.460/62.48	1.600/40.64	1.920/48.77		2.06/52.3		
-214	2x20			2.760/70.10	1.900/48.26	2.220/56.39		2.36/59.9		
-215	2x25			3.260/82.80	2.400/60.96	2.720/69.09		2.86/72.6		
65823-216	2x30	LP	RND	3.760/95.50	2.900/73.66	3.220/81.79	.150/3.81	3.36/85.3	30u"/.76u GXT/GOLD FLASH	D

REVISIONS			SHEET INDEX	ISSUE SH. NO.	MAY		DATE	CUSTOMER COPY
REV	ECN/DDR#	BY	DATE					
Z							1/16/90	
				TOLERANCES UNLESS OTHERWISE SPECIFIED		FINISH	DATE	
				.002 .01 / .02 J		SHREINER	1/16/90	
				.0002 .005 / .002 .05		CHK	M.SMYK	1/16/90
				.00002 .0020 / .0002 .05		PRODUCT FAMILY		
				ANGLES		APPRO	M.SMYK	1/16/90
				0± Z		CAGE CODE	22526	



HEADER, QUICKIE
SEA-HORSE, RIGHT ANGLE
SCALE 5:1 D 65823 9 of 9
FORM E-3067 REV 8/93

NOTE: THIS DOCUMENT IS THE PROPERTY OF AND EMBODIES PROPRIETARY INFORMATION OF BERG ELECTRONICS, INC. NO PART OF THE INFORMATION SHOWN ON THIS DOCUMENT MAY BE USED IN ANY WAY WITHOUT THE WRITTEN CONSENT OF BERG ELECTRONICS, INC.

PRODUCT NUMBER	SIZE	LATCHES NOTE 7	PIN SHAPE	DIM A	DIM B	DIM C	DIM D	DIM E	TERMINAL PLATING	STYLE
65823-217	2x5	ND	RND	1.260/32.00	.400/10.16	.720/18.29	.105/2.67	.86/21.8	30u"/.76u GXT/GOLD FLASH	A
-218	2x7			1.460/37.08	.600/15.24	.920/23.37		1.06/26.9		C
-219	2x8			1.560/39.62	.700/17.78	1.020/25.91		1.16/29.4		D
-220	2x10			1.760/44.70	.900/22.86	1.220/30.99		1.36/34.5		
-221	2x13			2.060/52.32	1.200/30.48	1.520/38.61		1.66/42.1		
-222	2x17			2.460/62.48	1.600/40.64	1.920/48.77		2.06/52.3		
-223	2x20			2.760/70.10	1.900/48.26	2.220/56.39		2.36/59.9		
-224	2x25			3.260/82.80	2.400/60.96	2.720/69.09		2.86/72.6		
-225	2x30		RND	3.760/95.50	2.900/73.66	3.220/81.79	.105/2.67	3.36/85.3		D
-226	2x5		SQ	1.260/32.00	.400/10.16	.720/18.29	.675/17.15	.86/21.8		A
-227	2x7			1.460/37.08	.600/15.24	.920/23.37		1.06/26.9		C
-228	2x8			1.560/39.62	.700/17.78	1.020/25.91		1.16/29.4		D
-229	2x10			1.760/44.70	.900/22.86	1.220/30.99		1.36/34.5		
-230	2x13			2.060/52.32	1.200/30.48	1.520/38.61		1.66/42.1		
-231	2x17			2.460/62.48	1.600/40.64	1.920/48.77		2.06/52.3		
-232	2x20			2.760/70.10	1.900/48.26	2.220/56.39		2.36/59.9		
-233	2x25			3.260/82.80	2.400/60.96	2.720/69.09		2.86/72.6		
-234	2x30	ND	SQ	3.760/95.50	2.900/73.66	3.220/81.79	.675/17.15	3.36/85.3		D
-235	2x5	STD	RND	1.260/32.00	.400/10.16	.720/18.29	.105/2.67	.86/21.8		A
-236	2x7			1.460/37.08	.600/15.24	.920/23.37		1.06/26.9		C
-237	2x8			1.560/39.62	.700/17.78	1.020/25.91		1.16/29.4		D
-238	2x10			1.760/44.70	.900/22.86	1.220/30.99		1.36/34.5		
-239	2x13			2.060/52.32	1.200/30.48	1.520/38.61		1.66/42.1		
-240	2x17			2.460/62.48	1.600/40.64	1.920/48.77		2.06/52.3		
-241	2x20			2.760/70.10	1.900/48.26	2.220/56.39		2.36/59.9		
-242	2x25			3.260/82.80	2.400/60.96	2.720/69.09		2.86/72.6		
-243	2x30		RND	3.760/95.50	2.900/73.66	3.220/81.79	.105/2.67	3.36/85.3		D
-244	2x5		SQ	1.260/32.00	.400/10.16	.720/18.29	.675/17.15	.86/21.8		A
-245	2x7			1.460/37.08	.600/15.24	.920/23.37		1.06/26.9		C
-246	2x8			1.560/39.62	.700/17.78	1.020/25.91		1.16/29.4		D
-247	2x10			1.760/44.70	.900/22.86	1.220/30.99		1.36/34.5		
-248	2x13			2.060/52.32	1.200/30.48	1.520/38.61		1.66/42.1		
-249	2x17			2.460/62.48	1.600/40.64	1.920/48.77		2.06/52.3		
-250	2x20			2.760/70.10	1.900/48.26	2.220/56.39		2.36/59.9		
-251	2x25			3.260/82.80	2.400/60.96	2.720/69.09		2.86/72.6		
65823-252	2x30	STD	SQ	3.760/95.50	2.900/73.66	3.220/81.79	.675/17.15	3.36/85.3	30u"/.76u GXT/GOLD FLASH	D

REVISIONS				SHEET INDEX	ISSUE					
REV	ECN/DDR#	BY	DATE	SH NO.	1					
Z										
TOLERANCES UNLESS OTHERWISE SPECIFIED										
00± 01 / 0± 3										
000± 005 / 00± 13										
0000± 0020 / 000± 051										
ANGLES 0± 2										
CART CODE 22526										
APPRO M.SMYK 1/16/90										

BERG ELECTRONICS

HEADER, QUICKE
SEA-HORSE, RIGHT ANGLE

SCALE: 5:1 D
Dwg. No. 65823
SHEET 10 of 10

CUSTOMER COPY
DATE 1/16/90
BY J. SHREINER
CHK M.SMYK
DATE 1/16/90

UNIT INCH
UNF

FORM E-3067 REV 8/93

NOTE: THIS DOCUMENT IS THE PROPERTY OF AND EMBODIES PROPRIETARY INFORMATION OF BERG ELECTRONICS, INC. NO PART OF THE INFORMATION SHOWN ON THIS DOCUMENT MAY BE USED IN ANY WAY WITHOUT THE WRITTEN CONSENT OF BERG ELECTRONICS, INC.

PRODUCT NUMBER	SIZE	LATCHES NOTE 7	PIN SHAPE	DIM A	DIM B	DIM C	DIM D	DIM E	TERMINAL PLATING	STYLE
65823-253	2x5	LP	RND	1.260/32.00	.400/10.16	.720/18.29	.105/2.67	.86/21.8	30u"/.76u GXT/GOLD FLASH	A
-254	2x7			1.460/37.08	.600/15.24	.920/23.37		1.06/26.9		C
-255	2x8			1.560/39.62	.700/17.78	1.020/25.91		1.16/29.4		D
-256	2x10			1.760/44.70	.900/22.86	1.220/30.99		1.36/34.5		
-257	2x13			2.060/52.32	1.200/30.48	1.520/38.61		1.66/42.1		
-258	2x17			2.460/62.48	1.600/40.64	1.920/48.77		2.06/52.3		
-259	2x20			2.760/70.10	1.900/48.26	2.220/56.39		2.36/59.9		
-260	2x25			3.260/82.80	2.400/60.96	2.720/69.09		2.86/72.6		
-261	2x30		RND	3.760/95.50	2.900/73.66	3.220/81.79	.105/2.67	3.36/85.3		D
-262	2x5		SO	1.260/32.00	.400/10.16	.720/18.29	.675/17.15	.86/21.8		A
-263	2x7			1.460/37.08	.600/15.24	.920/23.37		1.06/26.9		C
-264	2x8			1.560/39.62	.700/17.78	1.020/25.91		1.16/29.4		D
-265	2x10			1.760/44.70	.900/22.86	1.220/30.99		1.36/34.5		
-266	2x13			2.060/52.32	1.200/30.48	1.520/38.61		1.66/42.1		
-267	2x17			2.460/62.48	1.600/40.64	1.920/48.77		2.06/52.3		
-268	2x20			2.760/70.10	1.900/48.26	2.220/56.39		2.36/59.9		
-269	2x25			3.260/82.80	2.400/60.96	2.720/69.09		2.86/72.6		
-270	2x30	LP	SO	3.760/95.50	2.900/73.66	3.220/81.79	.675/17.15	3.36/85.3	30u"/.76u GXT/GOLD FLASH	D
-271	2x5	NO	RND	1.260/32.00	.400/10.16	.720/18.29	.105/2.67	.86/21.8	15u"/.38u Au OVER 50u"/1.27u Nt	A
-272	2x7			1.460/37.08	.600/15.24	.920/23.37		1.06/26.9		C
-273	2x8			1.560/39.62	.700/17.78	1.020/25.91		1.16/29.4		D
-274	2x10			1.760/44.70	.900/22.86	1.220/30.99		1.36/34.5		
-275	2x13			2.060/52.32	1.200/30.48	1.520/38.61		1.66/42.1		
-276	2x17			2.460/62.48	1.600/40.64	1.920/48.77		2.06/52.3		
-277	2x20			2.760/70.10	1.900/48.26	2.220/56.39		2.36/59.9		
-278	2x25			3.260/82.80	2.400/60.96	2.720/69.09		2.86/72.6		
-279	2x30			3.760/95.50	2.900/73.66	3.220/81.79	.105/2.67	3.36/85.3		D
-280	2x5			1.260/32.00	.400/10.16	.720/18.29	.150/3.81	.86/21.8		A
-281	2x7			1.460/37.08	.600/15.24	.920/23.37		1.06/26.9		C
-282	2x8			1.560/39.62	.700/17.78	1.020/25.91		1.16/29.4		D
-283	2x10			1.760/44.70	.900/22.86	1.220/30.99		1.36/34.5		
-284	2x13			2.060/52.32	1.200/30.48	1.520/38.61		1.66/42.1		
-285	2x17			2.460/62.48	1.600/40.64	1.920/48.77		2.06/52.3		
-286	2x20			2.760/70.10	1.900/48.26	2.220/56.39		2.36/59.9		
-287	2x25			3.260/82.80	2.400/60.96	2.720/69.09		2.86/72.6		
65823-288	2x30	NO	RND	3.760/95.50	2.900/73.66	3.220/81.79	.150/3.81	3.36/85.3	15u"/.38u Au OVER 50u"/1.27u Nt	D

REVISIONS				SHEET INDEX	ISSUE					CUSTOMER COPY		
REV	ECN/DDR#	BY	DATE	SH NO.								
2												
TOLERANCES UNLESS OTHERWISE SPECIFIED					MAT	DR	DATE					
0.01 ± 0.03					FINISH	ENGR	1/16/90					
0.005 ± 0.013					PRODUCT FAMILY	CHK	M.SMYK	1/16/90	TITLE			
0.002 ± 0.020 / 0.002 ± 0.051					DATE CODE	APPR	M.SMYK	1/16/90	HEADER, QUICKIE			
ANGLES 0 ± 2					22526				SEA-HORSE, RIGHT ANGLE			
								UNIT INCH	SCALE	SIZE	DWG. NO.	SHEET
								MIL	5:1	D	65823	11 of



PRODUCT NUMBER	SIZE	LATCHES NOTE 7	PIN SHAPE	DIM A	DIM B	DIM C	DIM D	DIM E	TERMINAL PLATING	STYLE
65823-289	2x5	NO	SO	1.260/32.00	.400/10.16	.720/18.29	.675/17.15	.86/21.8	15u"/.38u OVER 50u"/1.27u Nt	A
-290	2x7			1.460/37.08	.600/15.24	.920/23.37		1.06/26.9		C
-291	2x8			1.560/39.62	.700/17.78	1.020/25.91		1.16/29.4		D
-292	2x10			1.760/44.70	.900/22.86	1.220/30.99		1.36/34.5		
-293	2x13			2.060/52.32	1.200/30.48	1.520/38.61		1.66/42.1		
-294	2x17			2.460/62.48	1.600/40.64	1.920/48.77		2.06/52.3		
-295	2x20			2.760/70.10	1.900/48.26	2.220/56.39		2.36/59.9		
-296	2x25			3.260/82.80	2.400/60.96	2.720/69.09		2.86/72.6		
-297	2x30	NO	SO	3.760/95.50	2.900/73.66	3.220/81.79	.675/17.15	3.36/85.3		D
-298	2x5	STD	RND	1.260/32.00	.400/10.16	.720/18.29	.105/2.67	.86/21.8		A
-299	2x7			1.460/37.08	.600/15.24	.920/23.37		1.06/26.9		C
-300	2x8			1.560/39.62	.700/17.78	1.020/25.91		1.16/29.4		D
-301	2x10			1.760/44.70	.900/22.86	1.220/30.99		1.36/34.5		
-302	2x13			2.060/52.32	1.200/30.48	1.520/38.61		1.66/42.1		
-303	2x17			2.460/62.48	1.600/40.64	1.920/48.77		2.06/52.3		
-304	2x20			2.760/70.10	1.900/48.26	2.220/56.39		2.36/59.9		
-305	2x25			3.260/82.80	2.400/60.96	2.720/69.09		2.86/72.6		
-306	2x30			3.760/95.50	2.900/73.66	3.220/81.79	.105/2.67	3.36/85.3		D
-307	2x5			1.260/32.00	.400/10.16	.720/18.29	.150/3.81	.86/21.8		A
-308	2x7			1.460/37.08	.600/15.24	.920/23.37		1.06/26.9		C
-309	2x8			1.560/39.62	.700/17.78	1.020/25.91		1.16/29.4		D
-310	2x10			1.760/44.70	.900/22.86	1.220/30.99		1.36/34.5		
-311	2x13			2.060/52.32	1.200/30.48	1.520/38.61		1.66/42.1		
-312	2x17			2.460/62.48	1.600/40.64	1.920/48.77		2.06/52.3		
-313	2x20			2.760/70.10	1.900/48.26	2.220/56.39		2.36/59.9		
-314	2x25			3.260/82.80	2.400/60.96	2.720/69.09		2.86/72.6		
-315	2x30		RND	3.760/95.50	2.900/73.66	3.220/81.79	.150/3.81	3.36/85.3		D
-316	2x5		SO	1.260/32.00	.400/10.16	.720/18.29	.675/17.15	.86/21.8		A
-317	2x7			1.460/37.08	.600/15.24	.920/23.37		1.06/26.9		C
-318	2x8			1.560/39.62	.700/17.78	1.020/25.91		1.16/29.4		D
-319	2x10			1.760/44.70	.900/22.86	1.220/30.99		1.36/34.5		
-320	2x13			2.060/52.32	1.200/30.48	1.520/38.61		1.66/42.1		
-321	2x17			2.460/62.48	1.600/40.64	1.920/48.77		2.06/52.3		
-322	2x20			2.760/70.10	1.900/48.26	2.220/56.39		2.36/59.9		
-323	2x25			3.260/82.80	2.400/60.96	2.720/69.09		2.86/72.6		
65823-324	2x30	STD	SO	3.760/95.50	2.900/73.66	3.220/81.79	.675/17.15	3.36/85.3	15u"/.38u OVER 50u"/1.27u Nt	D

REVISIONS				SHEET INDEX	ISSUE SH. NO.	DATE		BY	CHK	APPD	UNIT	SCALE	SIZE	DWG. NO.	SHEET
REV	ECN/DDR#	DATE	DATE			NO.	NO.								
7															
TOLERANCES UNLESS OTHERWISE SPECIFIED				MAY		1/16/90		DR J. SHREINER		GNY		CUSTOMER COPY		TITLE	
LINEAR				FINISH		1/16/90		ENGR M. SMYK		THIRD ANGLE PROJ		SCALE		HEADER, QUICKIE	
000± 0.05 / 0.02 13				PRODUCT FAMILY		1/16/90		CHK M. SMYK		UNIT		5:1 D		SEA-HORSE, RIGHT ANGLE	
0000± 0.020 / 0.002 051				CASE CODE		1/16/90		APPD M. SMYK		DWG. NO.		65823		12 OF	
ANGLES				22526											

NOTE: THIS DOCUMENT IS THE PROPERTY OF AND EMBODIES PROPRIETARY INFORMATION OF BERG ELECTRONICS, INC. NO PART OF THE INFORMATION SHOWN ON THIS DOCUMENT MAY BE USED IN ANY WAY WITHOUT THE WRITTEN CONSENT OF BERG ELECTRONICS, INC. FORM E-3067 REV 8/93



PRODUCT NUMBER	SIZE	LATCHES NOTE 7	PIN SHAPE	DIM A	DIM B	DIM C	DIM D	DIM E	TERMINAL PLATING	STYLE
65823-325	2x5	LP	RND	1.260/32.00	.400/10.16	.720/18.29	.105/2.67	.86/21.8	15u"/.38u Au OVER 50u"/1.27u Nt	A
-326	2x7			1.460/37.08	.600/15.24	.920/23.37		1.06/26.9		C
-327	2x8			1.560/39.62	.700/17.78	1.020/25.91		1.16/29.4		D
-328	2x10			1.760/44.70	.900/22.86	1.220/30.99		1.36/34.5		
-329	2x13			2.060/52.32	1.200/30.48	1.520/38.61		1.66/42.1		
-330	2x17			2.460/62.48	1.600/40.64	1.920/48.77		2.06/52.3		
-331	2x20			2.760/70.10	1.900/48.26	2.220/56.39		2.36/59.9		
-332	2x25			3.260/82.80	2.400/60.96	2.720/69.09		2.86/72.6		
-333	2x30			3.760/95.50	2.900/73.66	3.220/81.79	.105/2.67	3.36/85.3		D
-334	2x5			1.260/32.00	.400/10.16	.720/18.29	.150/3.81	.86/21.8		A
-335	2x7			1.460/37.08	.600/15.24	.920/23.37		1.06/26.9		C
-336	2x8			1.560/39.62	.700/17.78	1.020/25.91		1.16/29.4		D
-337	2x10			1.760/44.70	.900/22.86	1.220/30.99		1.36/34.5		
-338	2x13			2.060/52.32	1.200/30.48	1.520/38.61		1.66/42.1		
-339	2x17			2.460/62.48	1.600/40.64	1.920/48.77		2.06/52.3		
-340	2x20			2.760/70.10	1.900/48.26	2.220/56.39		2.36/59.9		
-341	2x25			3.260/82.80	2.400/60.96	2.720/69.09		2.86/72.6		
-342	2x30		RND	3.760/95.50	2.900/73.66	3.220/81.79	.150/3.81	3.36/85.3		D
-343	2x5		SO	1.260/32.00	.400/10.16	.720/18.29	.675/17.15	.86/21.8		A
-344	2x7			1.460/37.08	.600/15.24	.920/23.37		1.06/26.9		C
-345	2x8			1.560/39.62	.700/17.78	1.020/25.91		1.16/29.4		D
-346	2x10			1.760/44.70	.900/22.86	1.220/30.99		1.36/34.5		
-347	2x13			2.060/52.32	1.200/30.48	1.520/38.61		1.66/42.1		
-348	2x17			2.460/62.48	1.600/40.64	1.920/48.77		2.06/52.3		
-349	2x20			2.760/70.10	1.900/48.26	2.220/56.39		2.36/59.9		
-350	2x25			3.260/82.80	2.400/60.96	2.720/69.09		2.86/72.6		
-351	2x30	LP	SO	3.760/95.50	2.900/73.66	3.220/81.79	.675/17.15	3.36/85.3	15u"/.38u Au OVER 50u"/1.27u Nt	
-352	2x25	66258	RND	3.260/82.80	2.400/60.96	2.720/69.09	.105/2.67	2.86/72.6	30u"/.76u Au OVER 50u"/1.27u Nt	D
-353	2x7	ND		1.460/37.08	.600/15.24	.920/23.37		1.06/26.9		C
-354	2x8			1.560/39.62	.700/17.78	1.020/25.91		1.16/29.4		D
-355	2x10			1.760/44.70	.900/22.86	1.220/30.99		1.36/34.5		
-356	2x13			2.060/52.32	1.200/30.48	1.520/38.61		1.66/42.1		
-357	2x17			2.460/62.48	1.600/40.64	1.920/48.77		2.06/52.3		
-358	2x20			2.760/70.10	1.900/48.26	2.220/56.39		2.36/59.9		
-359	2x25			3.260/82.80	2.400/60.96	2.720/69.09		2.86/72.6		
65823-360	2x30	ND	RND	3.760/95.50	2.900/73.66	3.220/81.79	.105/2.67	3.36/85.3	30u"/.76u Au OVER 50u"/1.27u Nt	D

*CUSTOMER SPECIAL

REVISIONS				SHEET INDEX		ISSUE													
REV	ECN/DDR#	BY	DATE	SH NO.															
Z																			
TOLERANCES UNLESS OTHERWISE SPECIFIED				MAY		DR		DATE		CUSTOMER COPY		TITLE		SCALE		SIZE		DWG. NO.	
LINEAR				FINISH		ENGR		1/16/90		M.SMYK		1/16/90		5:1		D		65823	
ANGLES				PRODUCT FAMILY		CHK		1/16/90		M.SMYK		1/16/90		UNIT		INCH		SHEET	
				22526		APPR		1/16/90		M.SMYK		1/16/90		FORM		E-3067		REV 8/93	



NOTE: THIS DOCUMENT IS THE PROPERTY OF AND EMBODIES PROPRIETARY INFORMATION OF BERG ELECTRONICS, INC. NO PART OF THE INFORMATION SHOWN ON THIS DOCUMENT MAY BE USED IN ANY WAY WITHOUT THE WRITTEN CONSENT OF BERG ELECTRONICS, INC.

PRODUCT NUMBER	SIZE	LATCHES NOTE 7	PIN SHAPE	DIM A	DIM B	DIM C	DIM D	DIM E	TERMINAL PLATING	STYLE
65823-361	2x5	NO	RND	1.260/32.00	.400/10.16	.720/18.29	.105/2.67	.86/21.8	30u"/.76u Au OVER 50u"/1.27u Nt	A
-362		NO	RND						30u"/.76u Au OVER 50u"/1.27u Nt	B
-363		NO	RND						15"/.38u Au OVER 50u"/1.27u Nt	
-364		NO	RND						30u"/.76u GXT/GOLD FLASH	
-365		NO	SO						150u"/3.81u Sn	
-366		STD	RND						30u"/.76u Au OVER 50u"/1.27u Nt	
-367		STD	RND						15"/.38u Au OVER 50u"/1.27u Nt	
-368		STD	RND						30u"/.76u GXT/GOLD FLASH	
-369		STD	SO						150u"/3.81u Sn	
-370		LP	RND						30u"/.76u Au OVER 50u"/1.27u Nt	
-371		LP	RND						15"/.38u Au OVER 50u"/1.27u Nt	
-372		LP	RND						30u"/.76u GXT/GOLD FLASH	
-373		LP	SO				.105/2.67		150u"/3.81u Sn	
-374		NO	RND				.150/3.81		30u"/.76u Au OVER 50u"/1.27u Nt	
-375		NO	RND						15"/.38u Au OVER 50u"/1.27u Nt	
-376		NO	RND						30u"/.76u GXT/GOLD FLASH	
-377		NO	SO						150u"/3.81u Sn	
-378		STD	RND						30u"/.76u Au OVER 50u"/1.27u Nt	
-379		STD	RND						15"/.38u Au OVER 50u"/1.27u Nt	
-380		STD	RND						30u"/.76u GXT/GOLD FLASH	
-381		STD	SO						150u"/3.81u Sn	
-382		LP	RND						30u"/.76u Au OVER 50u"/1.27u Nt	
-383		LP	RND						15"/.38u Au OVER 50u"/1.27u Nt	
-384		LP	RND						30u"/.76u GXT/GOLD FLASH	
-385		LP	SO				.150/3.81		150u"/3.81u Sn	
-386		NO	SO				.675/17.15		30u"/.76u Au OVER 50u"/1.27u Nt	
-387		NO							15"/.38u Au OVER 50u"/1.27u Nt	
-388		NO							30u"/.76u GXT/GOLD FLASH	
-389		NO							150u"/3.81u Sn	
-390		STD							30u"/.76u Au OVER 50u"/1.27u Nt	
-391		STD							15"/.38u Au OVER 50u"/1.27u Nt	
-392		STD							30u"/.76u GXT/GOLD FLASH	
-393		STD							150u"/3.81u Sn	
-394		LP							30u"/.76u Au OVER 50u"/1.27u Nt	
-395		LP							15"/.38u Au OVER 50u"/1.27u Nt	
65823-396	2x5	LP	SO	1.260/32.00	.400/10.16	.720/18.29	.675/17.15	.86/21.8	30u"/.76u GXT/GOLD FLASH	B

*CUSTOMER SPECIAL

REVISIONS				SHEET	ISSUE								
REV	ECH/DDR#	BY	DATE	INDEX	SH NO.								
2													
				TOLERANCES UNLESS OTHERWISE SPECIFIED		FINISH	DR	CHK	APPD	DATE	CUSTOMER COPY		
				002 01 / 02 3		ENGR	J. SHREINER	CHK	M. SMYK	1/16/90	<input checked="" type="checkbox"/>		
				0002 005 / 002 13		PRODUCT FAMILY	CHK	M. SMYK	1/16/90		<input type="checkbox"/>		
				0002 0020 / 002 051		CAGE CODE	APPD	M. SMYK	1/16/90		<input type="checkbox"/>		
				ANGLES 03.7		UNIT	INCH	UNIT			<input type="checkbox"/>		
										SCALE	SIZE	DWG. NO.	SHEET
										5:1	D	65823	14 of



HEADER, QUICKIE
SEA-HORSE RIGHT ANGLE

NOTE: THIS DOCUMENT IS THE PROPERTY OF AND EMBODIES PROPRIETARY INFORMATION OF BERG ELECTRONICS, INC. NO PART OF THE INFORMATION SHOWN ON THIS DOCUMENT MAY BE USED IN ANY WAY WITHOUT THE WRITTEN CONSENT OF BERG ELECTRONICS, INC. FORM E-3067 REV 8/93

PRODUCT NUMBER	SIZE	LATCHES NOTE 7	PIN SHAPE	DIM A	DIM B	DIM C	DIM D	DIM E	TERMINAL PLATING	STYLE
65823-397	2x5	LP	SO	1.260/32.00	.400/10.16	.720/18.29	.675/17.15	.86/21.8	150u"/3.81u Sn	B
-398	2x10	66258-001	RND	1.760/44.70	.900/22.86	1.220/30.99	.105/2.67	1.36/34.5	30u"/.76u Au OVER 50u"/1.27u Nt	D
-399	2x5	NO	SO	1.260/32.00	.400/10.16	.720/18.29	.105/2.67	.86/21.8	150u"/.38u Au OVER 50u"/1.27u Nt	A
-400		STD					.105/2.67			
-401		LP					.105/2.67			
-402		NO					.150/3.81			
-403		STD					.150/3.81			
-404		LP					.150/3.81			A
-405		NO					.105/2.67			B
-406		STD					.105/2.67			
-407		LP					.105/2.67			
-408		NO					.150/3.81			
-409		STD					.150/3.81			
-410	2x5	LP		1.260/32.00	.400/10.16	.720/18.29	.150/3.81	.86/21.8		B
-411	2x7	NO		1.460/37.08	.600/15.24	.920/23.37	.105/2.67	1.06/26.9		C
-412		STD					.105/2.67			
-413		LP					.105/2.67			
-414		NO					.150/3.81			
-415		STD					.150/3.81			
-416	2x7	LP		1.460/37.08	.600/15.24	.920/23.37	.150/3.81	1.06/26.9		C
-417	2x8	NO		1.560/39.62	.700/17.78	1.020/25.91	.105/2.67	1.16/29.4		D
-418		STD					.105/2.67			
-419		LP					.105/2.67			
-420		NO					.150/3.81			
-421		STD					.150/3.81			
-422	2x9	LP		1.560/39.62	.700/17.78	1.020/25.91	.150/3.81	1.16/29.4		
-423	2x10	NO		1.760/44.70	.900/22.86	1.220/30.99	.105/2.67	1.36/34.5		
-424		STD					.105/2.67			
-425		LP					.105/2.67			
-426		NO					.150/3.81			
-427		STD					.150/3.81			
-428	2x10	LP		1.760/44.70	.900/22.86	1.220/30.99	.150/3.81	1.36/34.5		
-429	2x13	NO		2.060/52.32	1.200/30.48	1.520/38.61	.105/2.67	1.66/42.1		
-430		STD					.105/2.67			
-431		LP					.105/2.67			
65823-432	2x13	NO	SO	2.060/52.32	1.200/30.48	1.520/38.61	.150/3.81	1.66/42.1	150u"/.38u Au OVER 50u"/1.27u Nt	D

REVISIONS				SHEET INDEX	ISSUE SH. NO.	MAY 1/16/90				CUSTOMER COPY	
REV	ECN/DDR#	BY	DATE								
7											
				TOLERANCES UNLESS OTHERWISE SPECIFIED	DR J. SHREINER	DATE	1/16/90			TITLE	
				LINEAR	ENGR M. SMYK	DATE	1/16/90			HEADER, QUICKIE	
				ANGLES	CHK M. SMYK	DATE	1/16/90			SEA-HORSE, RIGHT ANGLE	
					APPD M. SMYK	DATE	1/16/90			SCALE	SHEET
					DATE 22526				UNIT INCH MM	5:1	65823
											15 of



NOTE: THIS DOCUMENT IS THE PROPERTY OF AND EMBODIES PROPRIETARY INFORMATION OF BERG ELECTRONICS, INC. NO PART OF THE INFORMATION SHOWN ON THIS DOCUMENT MAY BE USED IN ANY WAY WITHOUT THE WRITTEN CONSENT OF BERG ELECTRONICS, INC. FORM E-3067 REV 8/93

PRODUCT NUMBER	SIZE	LATCHES NOTE 7	PIN SHAPE	DIM A	DIM B	DIM C	DIM D	DIM E	TERMINAL PLATING	STYLE
65823-433	2x13	STD	SO	2.060/52.32	1.200/30.48	1.520/38.61	.150/3.81	1.66/42.1	15u"/.38u Au OVER 50u"/1.27u Ni	D
-434	2x13	LP		2.060/52.32	1.200/30.48	1.520/38.61	.150/3.81	1.66/42.1		
-435	2x17	NO		2.460/62.48	1.600/40.64	1.920/48.77	.105/2.67	2.06/52.3		
-436		STD					.105/2.67			
-437		LP					.105/2.67			
-438		NO					.150/3.81			
-439		STD					.150/3.81			
-440	2x17	LP		2.460/62.48	1.600/40.64	1.920/48.77	.150/3.81	2.06/52.3		
-441	2x20	NO		2.760/70.10	1.900/48.26	2.220/56.39	.105/2.67	2.36/59.9		
-442		STD					.105/2.67			
-443		LP					.105/2.67			
-444		NO					.150/3.81			
-445		STD					.150/3.81			
-446	2x20	LP		2.760/70.10	1.900/48.26	2.220/56.39	.150/3.81	2.36/59.9		
-447	2x25	NO		3.260/82.80	2.400/60.96	2.720/69.09	.105/2.67	2.86/72.6		
-448		STD					.105/2.67			
-449		LP					.105/2.67			
-450		NO					.150/3.81			
-451		STD					.150/3.81			
-452	2x25	LP		3.260/82.80	2.400/60.96	2.720/69.09	.150/3.81	2.86/72.6		
-453	2x30	NO		3.760/95.50	2.900/73.66	3.220/81.79	.105/2.67	3.36/85.3		
-454		STD					.105/2.67			
-455		LP					.105/2.67			
-456		NO					.150/3.81			
-457		STD					.150/3.81			
-458	2x30	LP	SO	3.760/95.50	2.900/73.66	3.220/81.79	.150/3.81	3.36/85.3		
-459	2x12	NO	RND	1.960/49.80	1.100/27.94	1.420/36.07	.105/2.67	1.56/39.6		
-460		STD							15u"/.38u Au OVER 50u"/1.27u Ni	
-461		LP							30u"/.76u Au OVER 50u"/1.27u Ni	
-462		NO							30u"/.76u Au OVER 50u"/1.27u Ni	
-463		STD							30u"/.76u Au OVER 50u"/1.27u Ni	
-464		LP							30u"/.76u Au OVER 50u"/1.27u Ni	
-465		NO							30u"/.76u GXT/GOLD FLASH	
-466		STD							30u"/.76u GXT/GOLD FLASH	
-467		LP	RND						30u"/.76u GXT/GOLD FLASH	
65823-468	2x12	NO	SO	1.960/49.80	1.100/27.94	1.420/36.07	.105/2.67	1.56/39.6	150u"/3.81u Sn	D

REVISIONS				SHEET INDEX	ISSUE SH NO.	MATERIAL	DRAWN	DATE	CUSTOMER COPY
REV	ECN/DDR#	BY	DATE						
2									

BERG ELECTRONICS

DR: J. SHREINER DATE: 1/16/90
 ENGR: M. SMYK DATE: 1/16/90
 CHK: M. SMYK DATE: 1/16/90
 APPR: M. SMYK DATE: 1/16/90

TOLERANCES UNLESS OTHERWISE SPECIFIED:
 .002 .01 / .02 .3
 .0002 .005 / .002 .051
 .00002 .0020 / .0002 .051

UNIT: INCH UNIT: INCH

SCALE: 5:1 D

TITLE: HEADER, QUICKIE SEA-HORSE RIGHT, ANGLE

SCALE SIZE: 5:1 D

DWG NO: 65823

SHEET: 16 OF

FORM E-3067 REV 8/93

NOTE: THIS DOCUMENT IS THE PROPERTY OF AND EMBODIES PROPRIETARY INFORMATION OF BERG ELECTRONICS, INC. NO PART OF THE INFORMATION SHOWN ON THIS DOCUMENT MAY BE USED IN ANY WAY WITHOUT THE WRITTEN CONSENT OF BERG ELECTRONICS, INC.

PRODUCT NUMBER	SIZE	LATCHES NOTE 7	PIN SHAPE	DIM A	DIM B	DIM C	DIM D	DIM E	TERMINAL PLATING	STYLE
65823-469	2x12	STD	SO	1.960/49.80	1.100/27.94	1.420/36.07	.105/2.67	1.56/39.62	150u"/3.81u TIN	D
-470		LP	SO				.105/2.67		150u"/3.81u TIN	
-471		NO	RND				.150/3.81		15u"/.38u Au OVER 50u"/1.27u Ni	
-472		STD							15u"/.38u Au OVER 50u"/1.27u Ni	
-473		LP							15u"/.38u Au OVER 50u"/1.27u Ni	
-474		NO							30u"/.76u Au OVER 50u"/1.27u Ni	
-475		STD							30u"/.76u Au OVER 50u"/1.27u Ni	
-476		LP							30u"/.76u Au OVER 50u"/1.27u Ni	
-477		NO							30u"/.76u GXT/GOLD FLASH	
-478		STD							30u"/.76u GXT/GOLD FLASH	
-479		LP	RND						30u"/.76u GXT/GOLD FLASH	
-480		NO	SO						150u"/3.81u TIN	
-481		STD							150u"/3.81u TIN	
-482		LP					.150/3.81		150u"/3.81u TIN	
-483		NO					.105/2.67		15u"/.38u Au OVER 50u"/1.27u Ni	
-484		STD							15u"/.38u Au OVER 50u"/1.27u Ni	
-485		LP							15u"/.38u Au OVER 50u"/1.27u Ni	
-486		NO							30u"/.76u Au OVER 50u"/1.27u Ni	
-487		STD							30u"/.76u Au OVER 50u"/1.27u Ni	
-488		LP							30u"/.76u Au OVER 50u"/1.27u Ni	
-489		NO							15u"/.38u Au OVER 50u"/1.27u Ni	
-490		STD							15u"/.38u Au OVER 50u"/1.27u Ni	
-491		LP					.105/2.67		15u"/.38u Au OVER 50u"/1.27u Ni	
-492		NO					.675/17.15		15u"/.38u Au OVER 50u"/1.27u Ni	
-493		STD							15u"/.38u Au OVER 50u"/1.27u Ni	
-494		LP							15u"/.38u Au OVER 50u"/1.27u Ni	
-495		NO							30u"/.76u Au OVER 50u"/1.27u Ni	
-496		STD							30u"/.76u Au OVER 50u"/1.27u Ni	
-497		LP							30u"/.76u Au OVER 50u"/1.27u Ni	
-498		NO							30u"/.76u GXT/GOLD FLASH	
-499		STD							30u"/.76u GXT/GOLD FLASH	
-500		LP							30u"/.76u GXT/GOLD FLASH	
-501		NO							150u"/3.81u TIN	
-502		STD							150u"/3.81u TIN	
-503	2x12	LP	SO	1.960/49.80	1.100/27.94	1.420/36.07	.675/17.15	1.56/39.62	150u"/3.81u TIN	
65823-504	2x15	NO	RND	2.260/57.40	1.400/35.56	1.720/43.69	.105/2.67	1.86/47.24	15u"/.38u Au OVER 50u"/1.27u Ni	D

REVISIONS				SHEET INDEX	ISSUE SH NO.	MAY	DATE	CUSTOMER COPY
REV	ECN/DDR#	BY	DATE					
7								
TOLERANCES UNLESS OTHERWISE SPECIFIED								
LINEAR								
ANGLES								

BERG ELECTRONICS

HEADER, QUICKIE
SEA-HORSE, RIGHT ANGLE

SCALE: 5:1 D
Dwg. NO. 65823
SHEET 17 of

NOTE: THIS DOCUMENT IS THE PROPERTY OF AND EMBODIES PROPRIETARY INFORMATION OF BERG ELECTRONICS, INC. NO PART OF THE INFORMATION SHOWN ON THIS DOCUMENT MAY BE USED IN ANY WAY WITHOUT THE WRITTEN CONSENT OF BERG ELECTRONICS, INC. FORM E-3067 REV 8/93

PRODUCT NUMBER	SIZE	LATCHES NOTE 7	PIN SHAPE	DIM A	DIM B	DIM C	DIM D	DIM E	TERMINAL PLATING	STYLE
65823-505	2x15	STD	RND	2.260/57.40	1.400/35.56	1.720/43.69	.105/2.67	1.86/47.2	15u"/.38u Au OVER 50u"/1.27u Ni	D
-506		LP							15u"/.38u Au OVER 50u"/1.27u Ni	
-507		NO							30u"/.76u Au OVER 50u"/1.27u Ni	
-508		STD							30u"/.76u Au OVER 50u"/1.27u Ni	
-509		LP							30u"/.76u Au OVER 50u"/1.27u Ni	
-510		NO							30u"/.76u GXT GOLD FLASH	
-511		STD							30u"/.76u GXT GOLD FLASH	
-512		LP	RND						30u"/.76u GXT GOLD FLASH	
-513		NO	SO						150u"/3.81u TIN	
-514		STD	SO						150u"/3.81u TIN	
-515		LP	SO				.105/2.67		150u"/3.81u TIN	
-516		NO	RND				.150/3.81		15u"/.38u Au OVER 50u"/1.27u Ni	
-517		STD							15u"/.38u Au OVER 50u"/1.27u Ni	
-518		LP							15u"/.38u Au OVER 50u"/1.27u Ni	
-519		NO							30u"/.76u Au OVER 50u"/1.27u Ni	
-520		STD							30u"/.76u Au OVER 50u"/1.27u Ni	
-521		LP							30u"/.76u Au OVER 50u"/1.27u Ni	
-522		NO							30u"/.76u GXT GOLD FLASH	
-523		STD							30u"/.76u GXT GOLD FLASH	
-524		LP	RND						30u"/.76u GXT GOLD FLASH	
-525		NO	SO						150u"/3.81u TIN	
-526		STD							150u"/3.81u TIN	
-527		LP					.150/3.81		150u"/3.81u TIN	
-528		NO					.105/2.67		15u"/.38u Au OVER 50u"/1.27u Ni	
-529		STD							15u"/.38u Au OVER 50u"/1.27u Ni	
-530		LP							15u"/.38u Au OVER 50u"/1.27u Ni	
-531		NO							30u"/.76u Au OVER 50u"/1.27u Ni	
-532		STD							30u"/.76u Au OVER 50u"/1.27u Ni	
-533		LP					.105/2.67		30u"/.76u Au OVER 50u"/1.27u Ni	
-534		NO					.150/3.81		15u"/.38u Au OVER 50u"/1.27u Ni	
-535		STD					.150/3.81		15u"/.38u Au OVER 50u"/1.27u Ni	
-536		LP					.150/3.81		15u"/.38u Au OVER 50u"/1.27u Ni	
-537		NO					.675/17.15		15u"/.38u Au OVER 50u"/1.27u Ni	
-538		STD							15u"/.38u Au OVER 50u"/1.27u Ni	
-539		LP							15u"/.38u Au OVER 50u"/1.27u Ni	
65823-540	2x15	NO	SO	2.260/57.40	1.400/35.56	1.720/43.69	.675/17.15	1.86/47.2	30u"/.76u Au OVER 50u"/1.27u Ni	D

REVISIONS				SHEET INDEX	ISSUE SH NO.	MAY		DATE		CUSTOMER COPY
REV	ECN/DDR#	BY	DATE							
Z										
TOLERANCES UNLESS OTHERWISE SPECIFIED										
LINEAR										
0002 005 / 002 13										
00002 0020 / 0002 051										
ANGLES										
0.5 Z										



TITLE: HEADER, QUICKIE
 SEA-HORSE, RIGHT ANGLE
 SCALE: 5:1 D
 ORG. NO.: 65823
 SHEET: 18 of

NOTE: THIS DOCUMENT IS THE PROPERTY OF AND EMBODIES PROPRIETARY INFORMATION OF BERG ELECTRONICS, INC. NO PART OF THE INFORMATION SHOWN ON THIS DOCUMENT MAY BE USED IN ANY WAY WITHOUT THE WRITTEN CONSENT OF BERG ELECTRONICS, INC. FORM E-3067 REV 8/93

PRODUCT NUMBER	SIZE	LATCHES NOTE 7	PIN SHAPE	DIM A	DIM B	DIM C	DIM D	DIM E	TERMINAL PLATING	STYLE
65823-541	2x15	STD	SQ	2.260/57.40	1.400/35.56	1.720/43.69	.675/17.15	1.86/47.2	30u"/.76u Au OVER 50u"/1.27u Ni	D
-542		LP							30u"/.76u Au OVER 50u"/1.27u Ni	
-543		NO							30u"/.76u GXT/GOLD FLASH	
-544		STD							30u"/.76u GXT/GOLD FLASH	
-545		LP							30u"/.76u GXT/GOLD FLASH	
-546		NO							150u"/3.81u TIN	
-547		STD							150u"/3.81u TIN	
-548	2x15	LP	SQ	2.260/57.40	1.400/35.56	1.720/43.69	.675/17.15	1.86/47.2	150u"/3.81u TIN	
-549	2x22	NO	RND	2.960/75.20	2.100/53.34	2.420/61.47	.105/2.67	2.56/65.0	15u"/.38u Au OVER 50u"/1.27u Ni	
-550		STD							15u"/.38u Au OVER 50u"/1.27u Ni	
-551		LP							15u"/.38u Au OVER 50u"/1.27u Ni	
-552		NO							30u"/.76u Au OVER 50u"/1.27u Ni	
-553		STD							30u"/.76u Au OVER 50u"/1.27u Ni	
-554		LP							30u"/.76u Au OVER 50u"/1.27u Ni	
-555		NO							30u"/.76u GXT/GOLD FLASH	
-556		STD							30u"/.76u GXT/GOLD FLASH	
-557		LP	RND						30u"/.76u GXT/GOLD FLASH	
-558		NO	SQ						150u"/3.81u TIN	
-559		STD	SQ						150u"/3.81u TIN	
-560		LP	SQ				.105/2.67		150u"/3.81u TIN	
-561		NO	RND				.150/3.81		15u"/.38u Au OVER 50u"/1.27u Ni	
-562		STD							15u"/.38u Au OVER 50u"/1.27u Ni	
-563		LP							15u"/.38u Au OVER 50u"/1.27u Ni	
-564		NO							30u"/.76u Au OVER 50u"/1.27u Ni	
-565		STD							30u"/.76u Au OVER 50u"/1.27u Ni	
-566		LP							30u"/.76u Au OVER 50u"/1.27u Ni	
-567		NO							30u"/.76u GXT/GOLD FLASH	
-568		STD							30u"/.76u GXT/GOLD FLASH	
-569		LP	RND						30u"/.76u GXT/GOLD FLASH	
-570		NO	SQ						150u"/3.81u TIN	
-571		STD							150u"/3.81u TIN	
-572		LP					.150/3.81		150u"/3.81u TIN	
-573		NO					.105/2.67		15u"/.38u Au OVER 50u"/1.27u Ni	
-574		STD							15u"/.38u Au OVER 50u"/1.27u Ni	
-575		LP							15u"/.38u Au OVER 50u"/1.27u Ni	
65823-576	2x22	NO	SQ	2.960/75.20	2.100/53.34	2.420/61.47	.105/2.67	2.56/65.0	30u"/.76u Au OVER 50u"/1.27u Ni	D

REVISIONS				SHEET INDEX	ISSUE SH. NO.	DATE	BY	CHK	APPD	DATE	TITLE
REV	ECN/DDR#	BY	DATE								
1											
2											

TOLERANCES UNLESS OTHERWISE SPECIFIED	MAT	DR	DATE	CUSTOMER COPY
0.01 / 0.2	FINISH	J. SHREINER	1/16/90	
LINEAR 0.002 / 0.05 / 0.02 / 0.13	PRODUCT FAMILY	M. SMYK	1/16/90	
ANGLES 0.1 / 7	DATE CODE	M. SMYK	1/16/90	
	22526			

SCALE	5:1	DWG. NO.	65823	SHEET	19 of
-------	-----	----------	-------	-------	-------

BERG ELECTRONICS

HEADER, QUICKIE SEA-HORSE, RIGHT ANGLE

FORM E-3087 REV 8/93

NOTE: THIS DOCUMENT IS THE PROPERTY OF AND EMBODIES PROPRIETARY INFORMATION OF BERG ELECTRONICS, INC. NO PART OF THE INFORMATION SHOWN ON THIS DOCUMENT MAY BE USED IN ANY WAY WITHOUT THE WRITTEN CONSENT OF BERG ELECTRONICS, INC.

PRODUCT NUMBER	SIZE	LATCHES NOTE 7	PIN SHAPE	DIM A	DIM B	DIM C	DIM D	DIM E	TERMINAL PLATING	STYLE
65823-577	2x22	STD	SQ	2.960/75.18	2.100/53.34	2.420/61.47	.105/2.67	2.56/65.0	30u"/.76u Au OVER 50u"/1.27u Ni	D
-578		LP					.105/2.67		30u"/.76u Au OVER 50u"/1.27u Ni	
-579		ND					.150/3.81		15u"/.38u Au OVER 50u"/1.27u Ni	
-580		STD					.150/3.81		15u"/.38u Au OVER 50u"/1.27u Ni	
-581		LP					.150/3.81		15u"/.38u Au OVER 50u"/1.27u Ni	
-582		ND					.675/17.15		15u"/.38u Au OVER 50u"/1.27u Ni	
-583		STD							15u"/.38u Au OVER 50u"/1.27u Ni	
-584		LP							15u"/.38u Au OVER 50u"/1.27u Ni	
-585		ND							30u"/.76u Au OVER 50u"/1.27u Ni	
-586		STD							30u"/.76u Au OVER 50u"/1.27u Ni	
-587		LP							30u"/.76u Au OVER 50u"/1.27u Ni	
-588		ND							30u"/.76u GXT/GOLD FLASH	
-589		STD							30u"/.76u GXT/GOLD FLASH	
-590		LP							30u"/.76u GXT/GOLD FLASH	
-591		ND							150u"/3.81u TIN	
-592		STD							150u"/3.81u TIN	
-593	2x22	LP	SQ	2.960/75.18	2.100/53.34	2.420/61.47	.675/17.15	2.56/65.0	150u"/3.81u TIN	
-594	2x25	66258	RND	3.260/82.80	2.400/60.96	2.720/69.09	.105/2.67	2.86/72.6	30u"/.76u Au OVER 50u"/1.27u Ni	
-595	2x25	66258	RND	3.260/82.80	2.400/60.96	2.720/69.09	.150/3.81	2.86/72.6	30u"/.76u Au OVER 50u"/1.27u Ni	
-596	2x30	STD	RND	3.760/95.50	2.900/73.66	3.220/81.79	.150/3.81	3.36/85.3	50u"/1.27u Au OVER 50u"/1.27u Ni	
-597	2x25	ND	SQ	3.260/82.80	2.400/60.96	2.720/69.09	.105/2.67	2.86/72.6	30u"/.76u GXT/GOLD FLASH	
-598	2x25	STD	SQ	3.260/82.80	2.400/60.96	2.720/69.09	.105/2.67	2.86/72.6	30u"/.76u GXT/GOLD FLASH	
-599	2x25	LP	SQ	3.260/82.80	2.400/60.96	2.720/69.09	.105/2.67	2.86/72.6	30u"/.76u GXT/GOLD FLASH	
-600	2x30	ND	RND	3.760/95.50	2.900/73.66	3.220/81.79	.150/3.81	3.36/85.3	50u"/1.27u Au OVER 50u"/1.27u Ni	
-601	2x30	LP	RND	3.760/95.50	2.900/73.66	3.220/81.79	.150/3.81	3.36/85.3	50u"/1.27u Au OVER 50u"/1.27u Ni	
-606	2x25	STD	RND	3.260/82.80	2.400/60.96	2.720/69.09	.105/2.67	2.86/72.6	30u"/.76u Au OVER 50u"/1.27u Ni	
-607	2x25	STD	SQ	3.260/82.80	2.400/60.96	2.720/69.09	.150/3.81	2.86/72.6	30u"/.76u Au OVER 50u"/1.27u Ni	D
65823-608	2x25	STD	SQ	3.260/82.80	2.400/60.96	2.720/69.09	.105/2.67	2.86/72.6	30u"/.76u GXT/GOLD FLASH	E

■ CUSTOMER SPECIAL

REVISIONS				SHEET INDEX	ISSUE SH NO.	MAY	DATE	BY	TITLE
REV	ECN/DOR	BY	DATE						
AA									

TOLERANCES UNLESS OTHERWISE SPECIFIED	FINISH	DR	J. SHREINER	DATE	1/18/90	CUSTOMER COPY
002 01 / 02 3		CHK	M. SINYK	DATE	1/16/90	
0002 005 / 002 13	PRODUCT FAMILY	CHK	M. SINYK	DATE	1/16/90	
00002 0020 / 0002 051	DATE CODE	APPD	M. SINYK	DATE	1/16/90	
ANGLES	0/2 7					

SCALE	5:1	SIZE	D	DWG. NO.	65823	SHEET	20 OF
-------	-----	------	---	----------	-------	-------	-------

BERG ELECTRONICS

HEADER, QUICKIE
SEA-HORSE, RIGHT ANGLE

FORM E-3087 REV 8/93

NOTE: THIS DOCUMENT IS THE PROPERTY OF AND EMPLOYS PROPRIETARY INFORMATION OF BERG ELECTRONICS, INC. NO PART OF THE INFORMATION SHOWN ON THIS DOCUMENT MAY BE USED IN ANY WAY WITHOUT THE WRITTEN CONSENT OF BERG ELECTRONICS, INC.

PRODUCT NUMBER	SIZE	LATCHES NOTE 7	PIN SHAPE	DIM A	DIM B	DIM C	DIM D	DIM F	TERMINAL PLATING	STYLE
65823-609	2X5	-	RND	32.00	10.16	18.29	2.67	7.24	50u"/127 u Au OVER 50u"/127u Ni	A
-610	2X5	-		32.00	10.16	18.29				B
-611	2X7	-		37.00	15.24	23.37				C
-612	2X8	-		39.60	17.18	25.91				D
-613	2X10	-		44.70	22.86	30.99				
-614	2X13	-		52.30	30.48	38.61				
-615	2X17	-		62.10	40.64	48.77				
-616	2X20	-		70.10	48.26	56.39				
-617	2X25	-		82.80	60.96	69.09				
-618	2X30	-		95.50	76.66	81.79				D
-619	2X5	STD		32.00	10.16	18.29				A
-620	2X5			32.00	10.16	18.29				B
-621	2X7			37.00	15.24	23.37				C
-622	2X8			39.60	17.18	25.91				D
-623	2X10			44.70	22.86	30.99				
-624	2X13			52.30	30.48	38.61				
-625	2X17			62.40	40.64	48.77				
-626	2X20			70.10	48.26	56.39				
-627	2X25			82.80	60.96	69.09				
-628	2X30	STD	RND	95.50	76.66	81.79	2.67	7.24	50u"/127 u Au OVER 50u"/127u Ni	D

REVISIONS				SHEET INDEX	ISSUE SH NO.						
REV	ECH/DDR	BY	DATE								
AC											

BERG ELECTRONICS

HEADER, QUICKIE
SEA-HORSE, RIGHT ANGLE

SCALE: 5:1 D

TITLE: 65823

SHEET: 21 of

NOTE: THIS DOCUMENT IS THE PROPERTY OF AND EMBODIES PROPRIETARY INFORMATION OF BERG ELECTRONICS, INC. NO PART OF THE INFORMATION SHOWN ON THIS DOCUMENT MAY BE USED IN ANY WAY WITHOUT THE WRITTEN CONSENT OF BERG ELECTRONICS, INC. FORM E-3087 REV 8/93