



P2576

LINEAR INTEGRATED CIRCUIT

3A STEP-DOWN VOLTAGE SWITCHING REGULATOR

DESCRIPTION

As a step-down (buck) switching regulator, the UTC **P2576** provides drives 3A load. The UTC **P2576** are simple because it only needs to use a minimum number of external components.

Frequency compensation and a fixed-frequency oscillator are in it. UTC **P2576** can perform with standard inductors, and simplifying the switch mode power supplies' design. UTC **P2576** guarantees output load conditions and $\pm 10\%$ on the oscillator frequency. Its external shutdown is included with 50 μ A standby current. As well as thermal shutdown for full protection under fault conditions, the output switch has cycle by cycle current limiting.

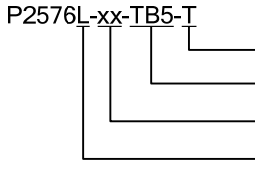
FEATURES

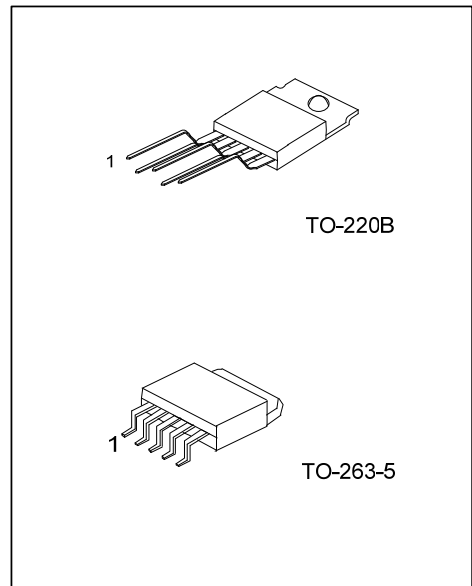
- * Output current 3A
- * Input voltage range from 7V to 40V
- * Requires 4 external components
- * Very high efficiency
- * TTL shutdown
- * Low power standby mode
- * Thermal shutdown,
- * Current limit protection
- * Internal oscillator: 52 kHz fixed frequency

ORDERING INFORMATION

Ordering Number		Package	Packing
Lead Free	Halogen Free		
P2576L-xx-TB5-T	P2576G-xx-TB5-T	TO-220B	Tube
P2576L-xx-TQ5-R	P2576G-xx-TQ5-R	TO-263-5	Tape Reel
P2576L-xx-TQ5-T	P2576G-xx-TQ5-T	TO-263-5	Tube

Note: xx: Output Voltage, refer to Marking Information.

 <p>P2576L-xx-TB5-T</p> <p>(1)Packing Type (2)Package Type (3)Output Voltage Code (4)Lead Plating</p>	<p>(1) R: Tape Reel, T: Tube (2) TB5: TO-220B, TQ5: TO-263-5 (3) xx: refer to Marking Information (4) G: Halogen Free, L: Lead Free</p>
--	---



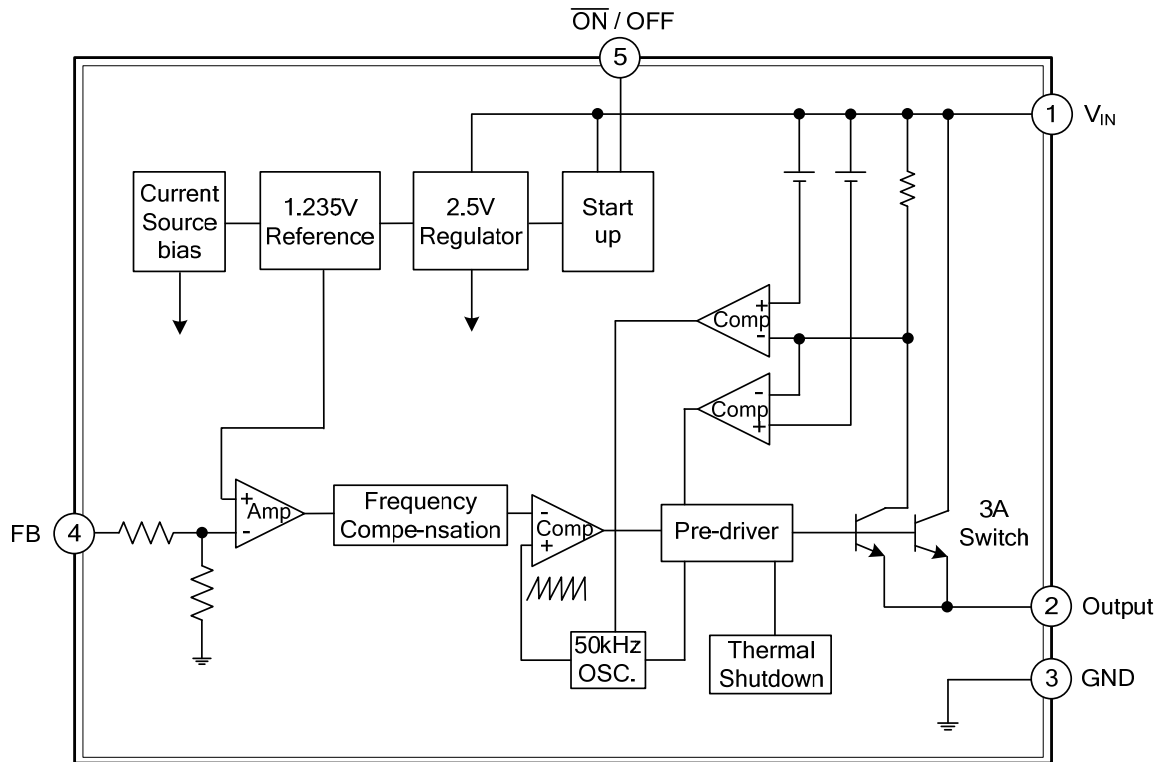
■ PIN DESCRIPTIONS

PIN NO.	PIN NAME	PIN DESCRIPTION
1	V _{IN}	Input voltage
2	V _{OUT}	Output voltage
3	GND	Ground
4	FB	Feed back.
5	ON/OFF	ON/OFF select pin, when connected to the ground the chip in operating normally.

■ MARKING INFORMATION

PACKAGE	VOLTAGE CODE	MARKING
TO-220B TO-263-5	50:5.0V	<p> L: Lead Free L: Halogen Free Date Code </p>

BLOCK DIAGRAM



■ ABSOLUTE MAXIMUM RATINGS (Ta=25°C, unless otherwise specified)

PARAMETER	SYMBOL	RATINGS	UNITS
Supply Voltage	V _{CC}	40	V
Maximum Supply Voltage	V _{CC(MAX)}	45	V
ON/OFF Pin Input Voltage	V _{ON/OFF}	-0.3 ~ V _{IN}	V
Output Voltage to Ground (Steady State)	V _{OUT}	-1.0	V
Power Dissipation	P _D	Internally Limited	mW
Junction Temperature	T _J	+150	°C
Operating Temperature	T _{OPR}	-40 ~ +125	°C
Storage Temperature	T _{STG}	-65 ~ +150	°C

Note: Absolute maximum ratings are those values beyond which the device could be permanently damaged. Absolute maximum ratings are stress ratings only and functional device operation is not implied.

■ ELECTRICAL CHARACTERISTICS (T_J=25°C, V_{IN}=12V, I_{LOAD}=500mA.)

PARAMETER	SYMBOL	TEST CONDITIONS	MIN	TYP	MAX	UNIT
Output Voltage	V _{OUT}	V _{IN} =12V, I _{LOAD} =0.5A	4.900	5.0	5.100	V
		8V ≤ V _{IN} ≤ 40V, 0.5A ≤ I _{LOAD} ≤ 3.0A	4.800	5.0	5.200	V
Efficiency	η	V _{IN} = 12 V, I _{LOAD} = 3.0 A		77		%
ALL OUTPUT VOLTAGE						
Oscillator Frequency	f _{OSC}	(Note 4)	42	52	63	kHz
Saturation Voltage	V _{SAT}	I _{OUT} =3A (Note 1)		1.4	1.8	V
Max Duty Cycle (ON)	DC	(Note 2)	93	98		%
Current Limit	I _{LIMIT}	(Note 1, 4)	4.2	5.8	6.9	A
Output Leakage Current	I _{LEAK}	V _{IN} =40V, Output=-1V (Notes 3)			2	mA
		Output=-1V		7.5	30	mA
Quiescent Current	I _Q	(Note 6)		5	10	mA
Standby Quiescent Current	I _{STBY}	ON/OFF Pin=5V (OFF)		50	200	μA
ON/OFF Pin Logic Input Level	V _{IH}	V _{OUT} =0V	2.2	1.4		V
	V _{IL}	V _{OUT} =Nominal Output Voltage		1.2	1.0	V
ON/OFF Pin Input Current	I _{IH}	ON/OFF Pin=5V (OFF)		12	30	μA
	I _{IL}	ON/OFF Pin=5V (ON)		0	10	μA

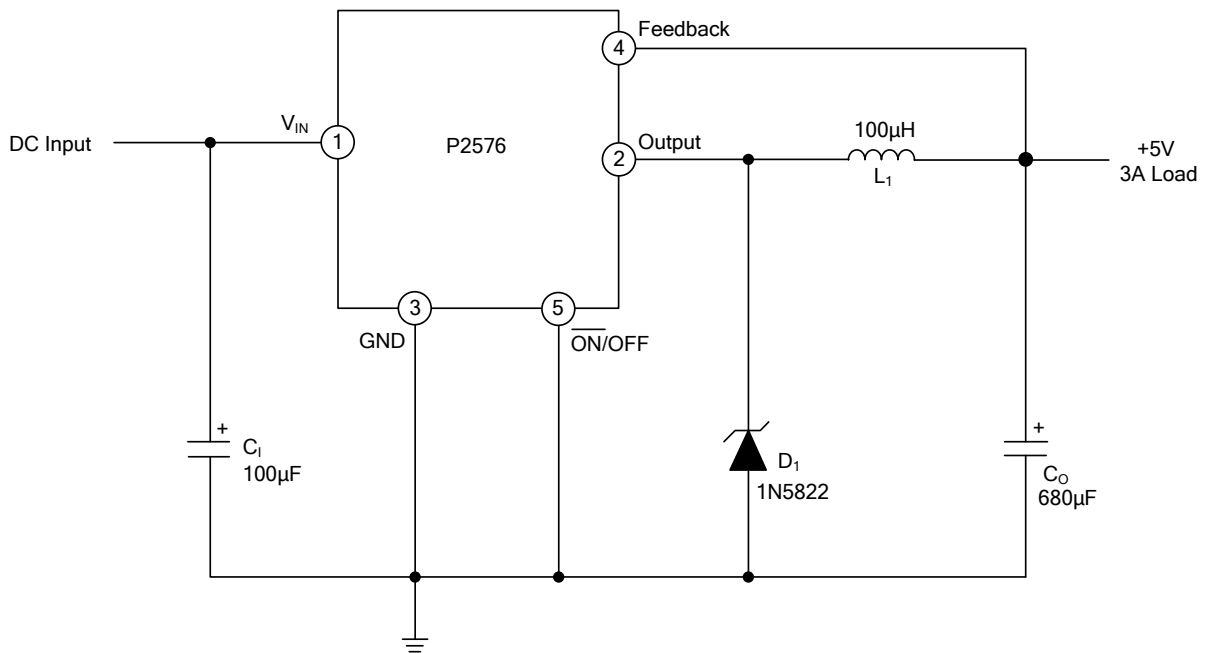
Note: 1. Output pin sourcing current. No diode, inductor or capacitor connected to output.

2. Feedback pin removed from output and connected to 0V.

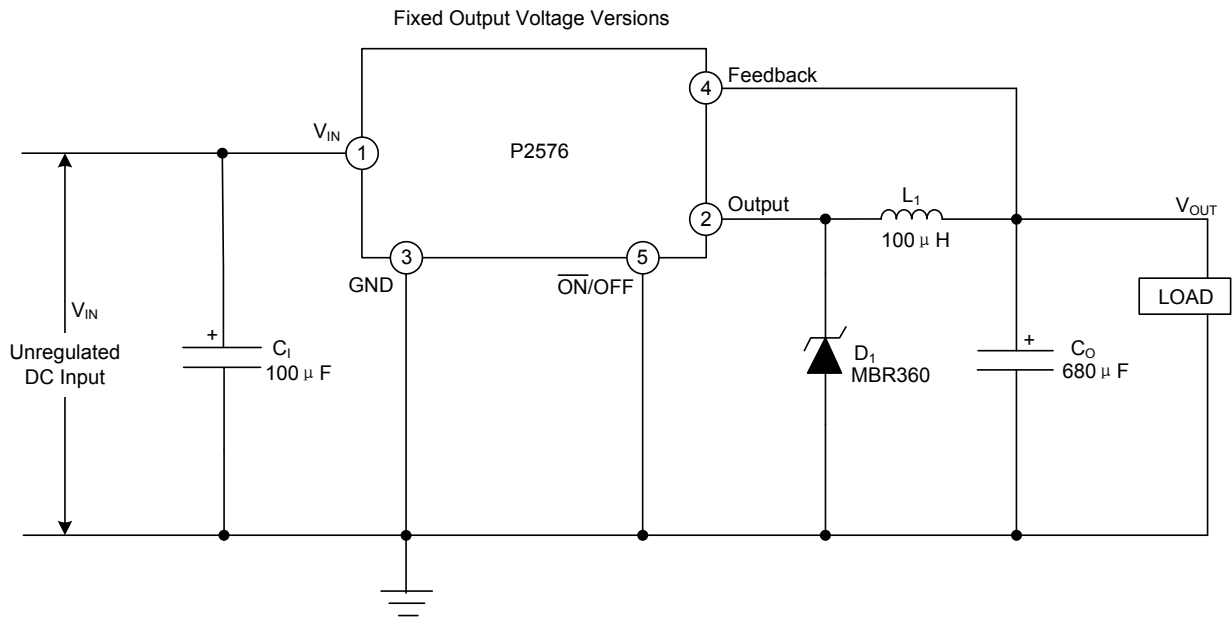
3. Feedback pin removed from output and connected to +12V, to force the output transistor OFF.

4. The oscillator frequency reduces to approximately 11 kHz in the event of an output short or an overload which causes the regulated output voltage to drop approximately 40% from the nominal output voltage. This self-protection feature lowers the Average power dissipation of P2576 by lowering the minimum duty cycle from 5% down to approximately 2%.

■ APPLICATION CIRCUIT

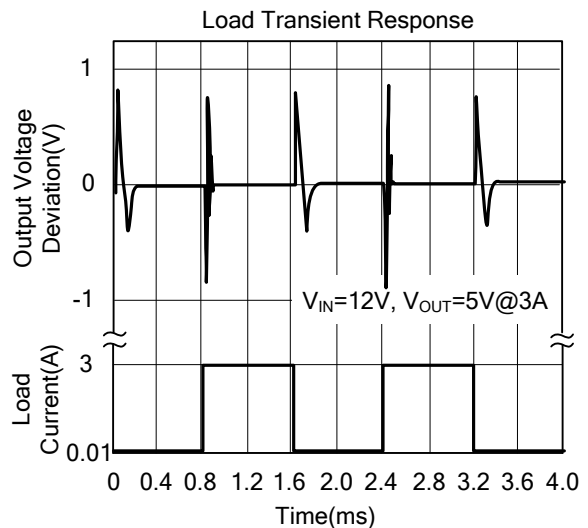
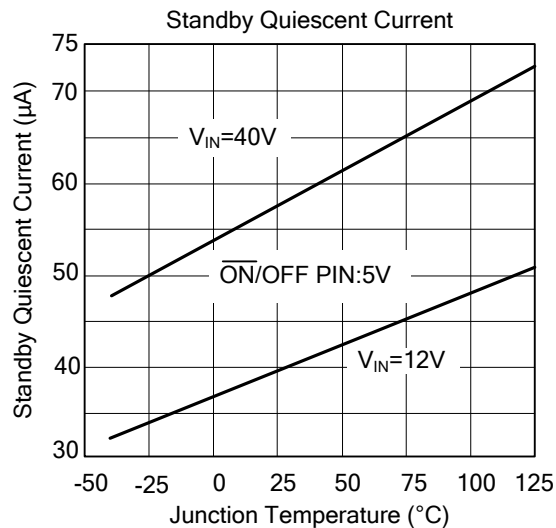
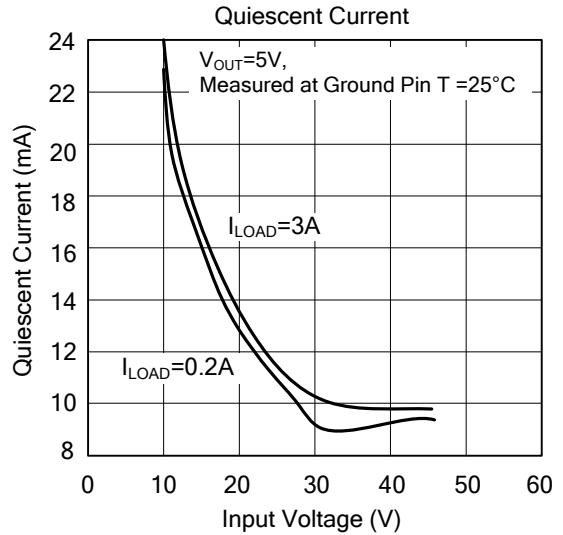
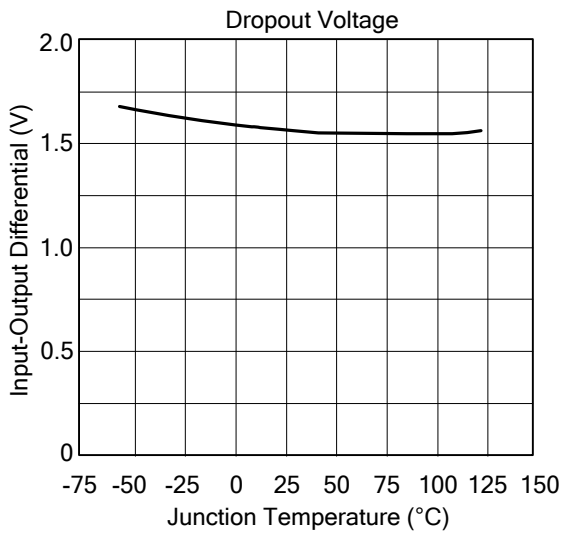
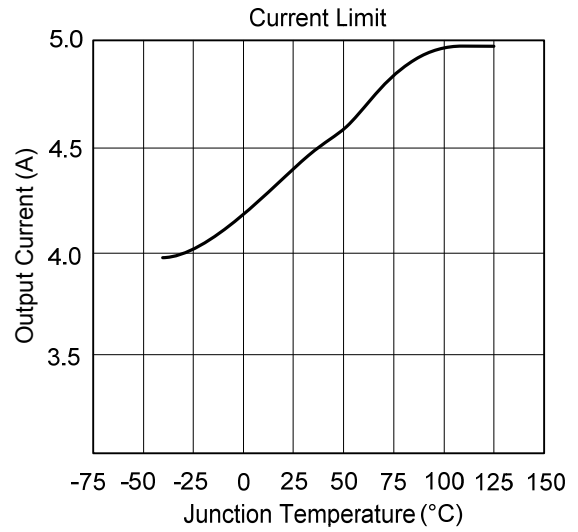
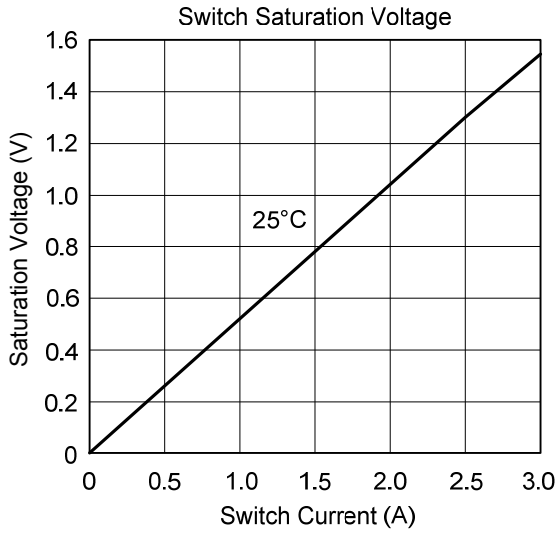


■ TYPICAL TEST CIRCUIT

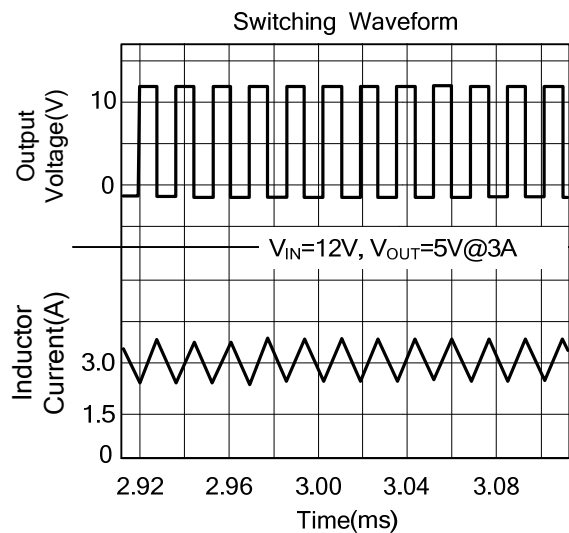
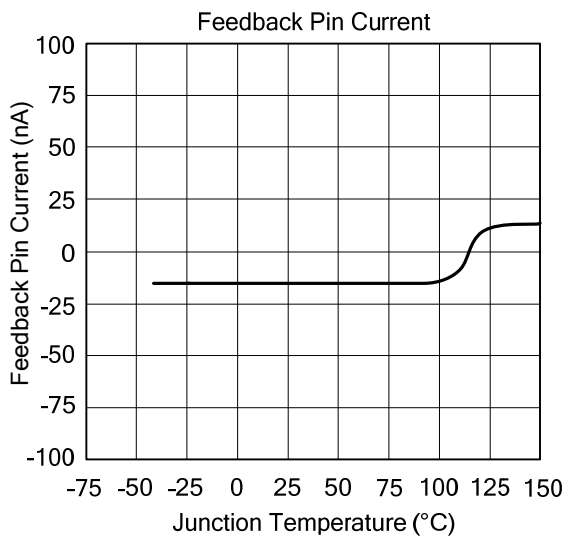
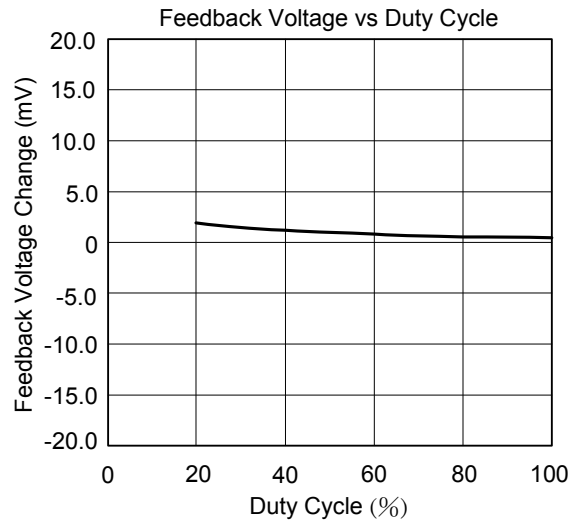
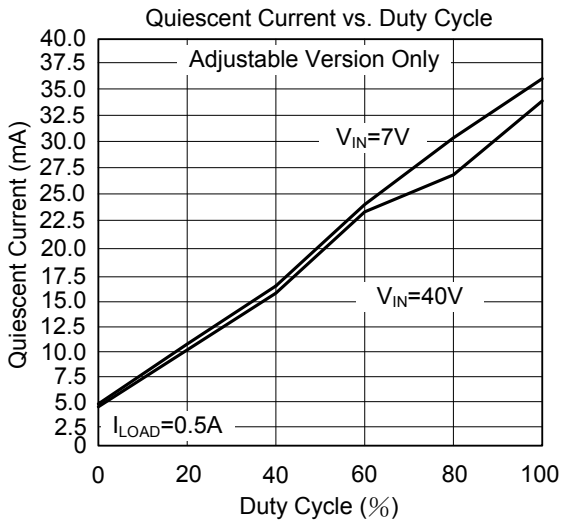


- C₁ : 100 µ F, 75V, Aluminum Electrolytic
- C₀ : 680 µ F, 25V, Aluminum Electrolytic
- D₁ : Schottky, MBR360
- L₁ : 100 µ H, 3L, Electrolytic Corp. TC-101M-3.0A-6826
- R₁ : 2K, 0.1%
- R₂ : 6.12K, 0.1%

■ TYPICAL APPLICATION CIRCUIT (Ta=25°C, V_{CC}=12V unless otherwise specified)



■ TYPICAL APPLICATION CIRCUIT(Cont.)



UTC assumes no responsibility for equipment failures that result from using products at values that exceed, even momentarily, rated values (such as maximum ratings, operating condition ranges, or other parameters) listed in products specifications of any and all UTC products described or contained herein. UTC products are not designed for use in life support appliances, devices or systems where malfunction of these products can be reasonably expected to result in personal injury. Reproduction in whole or in part is prohibited without the prior written consent of the copyright owner. The information presented in this document does not form part of any quotation or contract, is believed to be accurate and reliable and may be changed without notice.