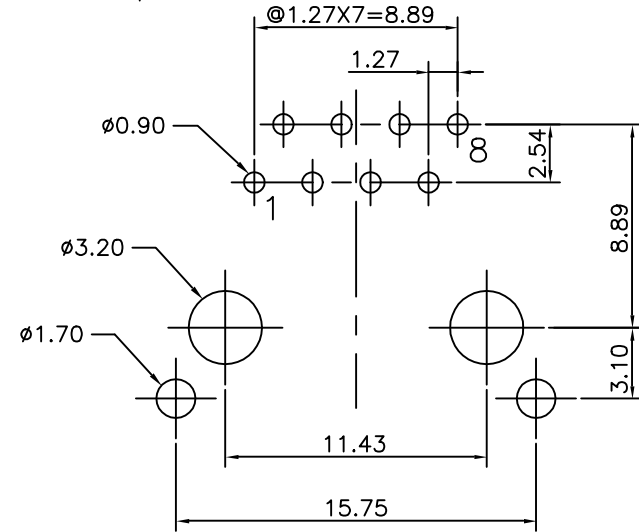
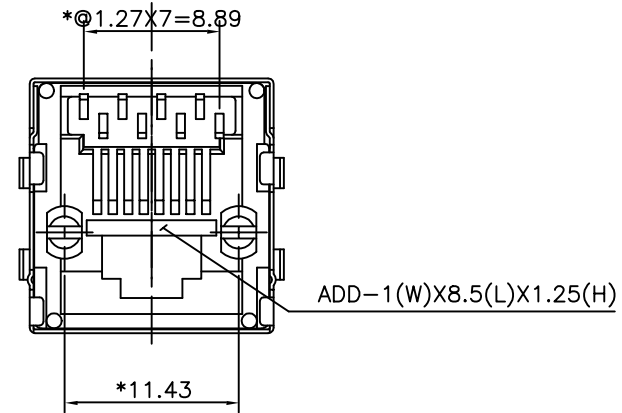
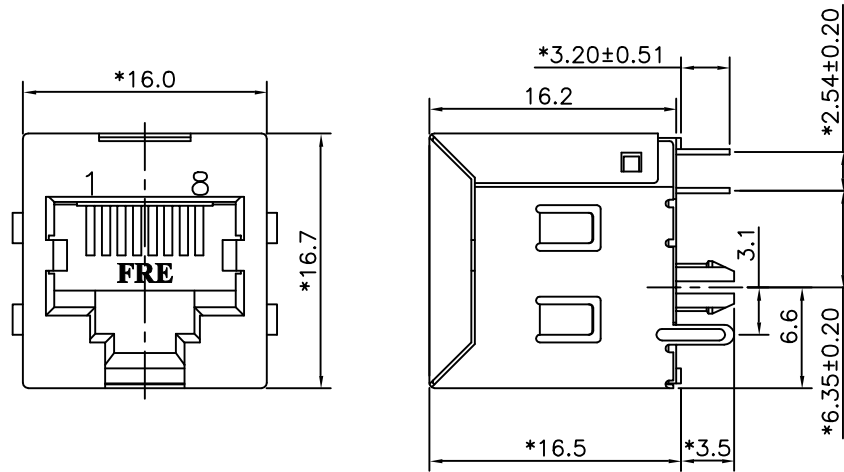


REVISION RECORD				
REV	ECO	DESCRIPTION	DRFT	CHKD
△		Add P/N	8/11/04	OK
△		Add P/N	8/11/04	OK



PC Board Layout Component Side Shown

NOTES:

ELECTRICAL:

- VOLTAGE RATING : 125 VAC RMS.
- CURRENT RATING : 1.5 AMP.
- CONTACT RESISTANCE : 30 MILLIOHMS MAX.
- INSULATION RESISTANCE: 1000 MEGOHMS MIN @ 500 VDC.
- DIELECTRIC STRENGTH : 1000 VAC RMS 60Hz, 1MIN.

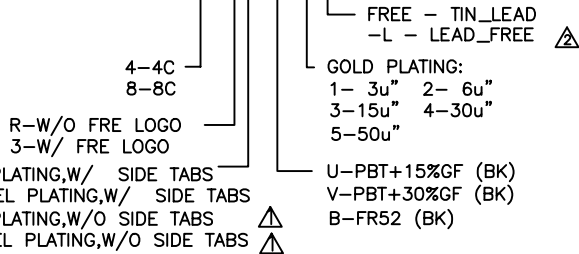
MECHANICAL:

- HOUSING MATERIAL : GLASS FILLED POLYESTER UL94V-0.
- CONTACT MATERIAL : PHOSPHOR BRONZE t=0.35mm.
- PLATING : CONTACT AREA- SELECTIVE GOLD PLATING.
2: PLATED TIN OVER NICKEL.
- OPERATING LIFE : 750 CYCLES MIN.
- PCB RETENTION PRE-SOLDER : 1 LB MIN.
- PCB RETENTION POST-SOLDER: 10 LBS MIN.

ENVIRONMENTAL:

- STORAGE : -40°C TO +85°C.
- OPERATION: 0°C TO 70°C.

MATES WITH MODULAR PLUG CONFORMING TO
FCC PART 68, SUBPART F.
CUL FILE NO. E163191
PART NUMBER: E528X-XX0X4XXX



- 1- TIN PLATING,W/ SIDE TABS
- 2- NICKEL PLATING,W/ SIDE TABS
- S- TIN PLATING,W/O SIDE TABS
- T- NICKEL PLATING,W/O SIDE TABS

DETACHED LISTS	MM (INCH)	DFTO Syngc	DATE 12/1/2003
	TOLERANCES EXCEPT AS NOTED	CHKD LASH	DATE 2004/10/11
		MFO	DATE
		APPVL QMPPU	DATE 2004/10/11
	ANGLES ±	QT'Y :	
	THIRD ANGLE PROJECTION	FINISH :	
		SCALE : 3:1	

FULL RISE ELECTRONIC CO., LTD

TITLE RJ45 TOP ENTRY PCB JACK
(DIP & IMPROVED TYPE)

DRAWING NO. GE523094
/PART NO. SEE NOTE

DO NOT SCALE DRAWING SHEET X OF Y