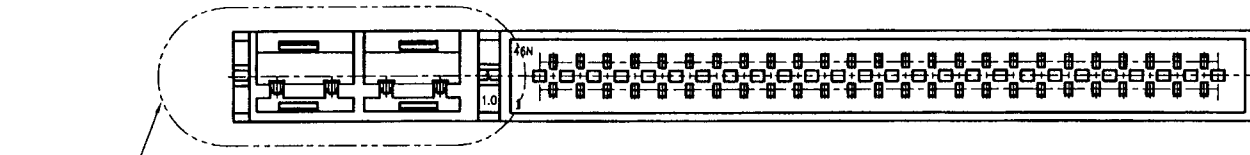
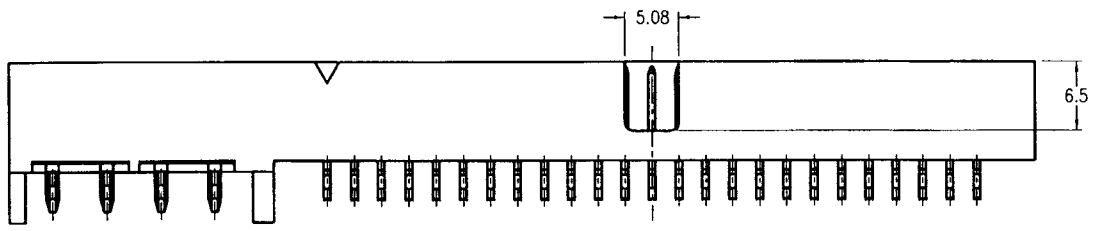
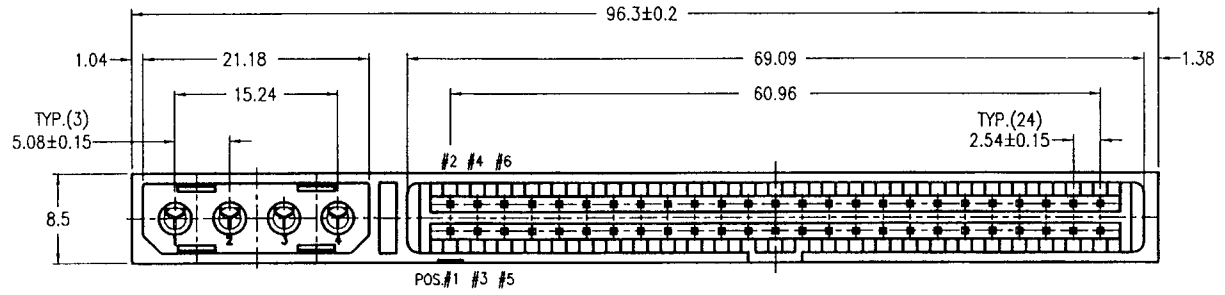
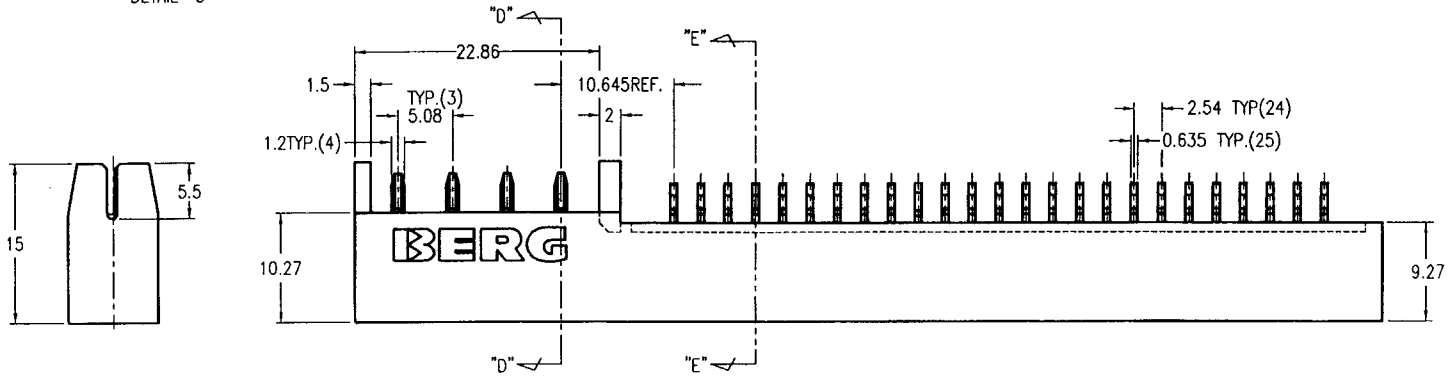


PRODUCT NO.
SEE SHEET NO.4

| REVISIONS | | | | |
|-----------|-------------|--------|------|----------|
| REV | DESCRIPTION | ECN | BY | DATE |
| 1 | SKETCHED | | M.N | 8/18/'95 |
| A | RELEASED | J50204 | M.N | 8/23/'95 |
| B | REVISED | J60145 | M.N | 7/10/'96 |
| C | REVISED | J60192 | M.N | 8/30/'96 |
| D | REVISED | J70103 | M.Ko | 4/25/'97 |



DETAIL "C"



| | | | | | | | | | | | | | | | | | | | | | |
|---|--------|---|---|---|---|--|--|--|--|--|--|-------------|---------------------|----------|------------------|--------------------------------|------|----------|-----|-------|---|
| SHEET INDEX | ISSUE | D | C | C | D | | | | | | | | | | | | | | | | |
| | SH NO. | 1 | 2 | 3 | 4 | | | | | | | | | | | | | | | | |
| TOLERANCES UNLESS OTHERWISE SPECIFIED | | | | | | | | | | | | MAT | OR | DATE | CUSTOMER COPY | TITLE | | | | | |
| ±0.25 | | | | | | | | | | | | SEE SHEET 4 | <i>K. Takamatsu</i> | 4/25/'97 | THIRD ANGLE PROJ | TWO-IN-ONE NEW MK-II HTP. TYPE | | | | | |
| LINEAR | | | | | | | | | | | | FINISH | <i>M. Kosawa</i> | 4/25/'97 | | SCALE | SIZE | DWG. NO. | REV | SHEET | |
| ANGLES | | | | | | | | | | | | SEE SHEET 4 | <i>n. Yamada</i> | 6/25/'98 | 2/1 | | | | | | B |
| DO NOT SCALE PRINT | | | | | | | | | | | | APPD | <i>S. Arano</i> | 6/24/'96 | UNIT | MM | | | | | |
| THIS INFORMATION IS CONFIDENTIAL AND IS DISCLOSED TO YOU ON CONDITION THAT NO FURTHER DISCLOSURE IS MADE BY YOU TO OTHER THAN BERG PERSONNEL WITHOUT WRITTEN AUTHORIZATION FROM BERG ELECTRONICS JAPAN K.K. | | | | | | | | | | | | | | | INCH | | | | | | |

BERG
ELECTRONICS

TWO-IN-ONE NEW MK-II HTP. TYPE

SCALE 2/1 SIZE B DWG. NO. 61062 REV D SHEET 1 of 4

DO NOT SCALE PRINT THIS INFORMATION IS CONFIDENTIAL AND IS DISCLOSED TO YOU ON CONDITION THAT NO FURTHER DISCLOSURE IS MADE BY YOU TO OTHER THAN BERG PERSONNEL WITHOUT WRITTEN AUTHORIZATION FROM BERG ELECTRONICS JAPAN K.K.

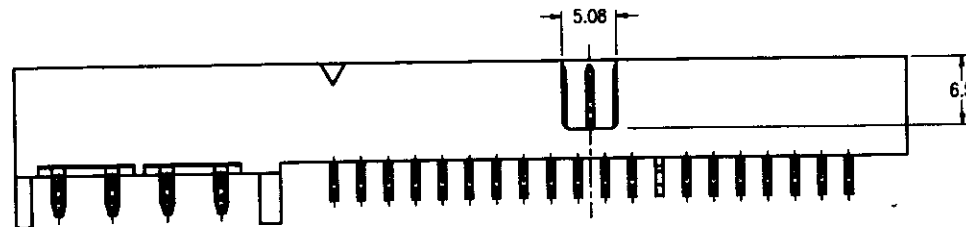
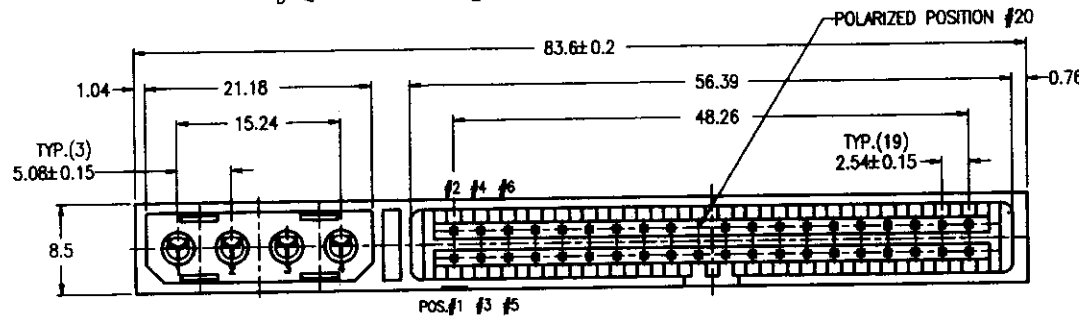
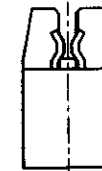
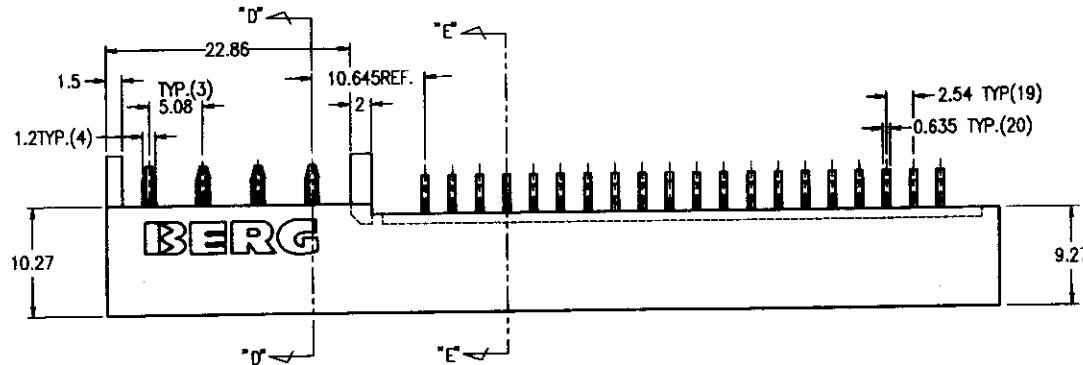
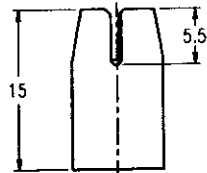
PRODUCT NO.

SEE TABLE

REVISIONS

| REV | DESCRIPTION | ECN | BY | DATE |
|-----|-------------|--------|-----|---------|
| 1 | SKETCHED | | M.N | 8/18/95 |
| A | RELEASED | J50204 | M.N | 8/23/95 |
| B | REVISED | J60145 | M.N | 7/10/96 |
| C | REVISED | J60192 | M.N | 8/30/96 |

DETAIL "C"



| SHEET INDEX | ISSUE SH NO. | MAT | DR | DATE | CUSTOMER COPY |
|-------------|--------------|-------------|-----------|---------|------------------------|
| | | SEE SHEET 4 | M. Nagase | 8/30/96 | |
| | | SEE SHEET 4 | M. Nagase | 8/30/96 | |
| | | | CHK | 9/2/96 | THIRD ANGLE PROJ |
| | | | APPD | 10/2/96 | UNIT $\frac{MM}{INCH}$ |

BERG
ELECTRONICS

TITLE
TWO-IN-ONE NEW MK-II HTP. TYPE

| SCALE | SIZE | DWG. NO. | REV | SHEET |
|-------|------|----------|-----|-------|
| 2/1 | B | 61062 | C | 2 OF |

DO NOT SCALE PRINT

THIS INFORMATION IS CONFIDENTIAL AND IS DISCLOSED TO YOU ON CONDITION THAT NO FURTHER DISCLOSURE IS MADE BY YOU TO OTHER THAN BERG PERSONNEL WITHOUT WRITTEN AUTHORIZATION FROM BERG ELECTRONICS JAPAN K.K.

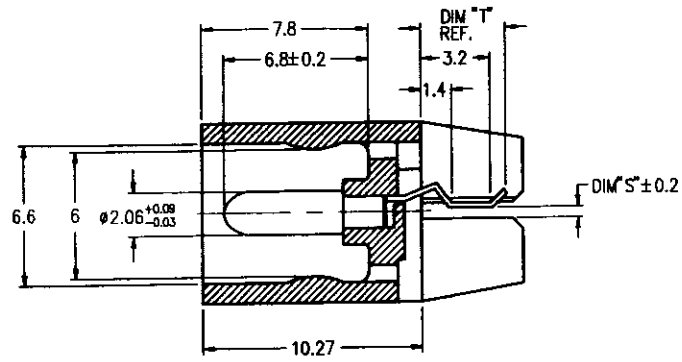
DF-004A REV C

PRODUCT No.

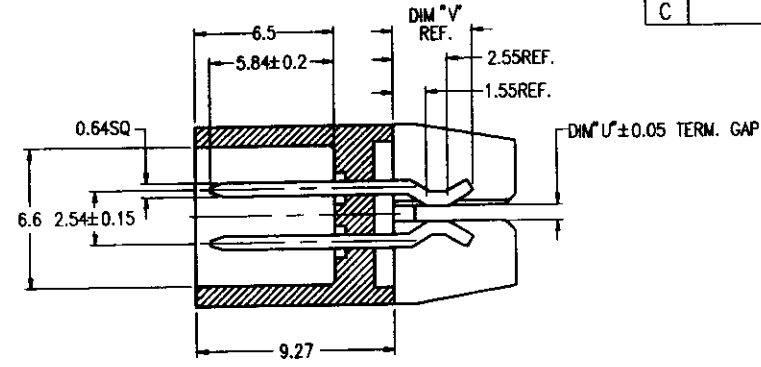
SEE TABLE

REVISIONS

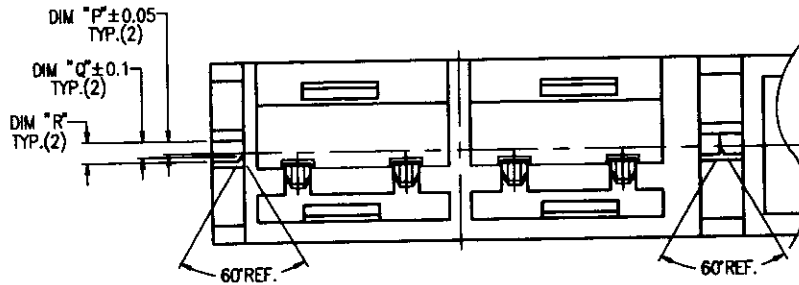
| REV | DESCRIPTION | ECN | BY | DATE |
|-----|-------------|--------|-----|---------|
| 1 | SKETCHED | | M.N | 8/18/95 |
| A | RELEASED | J50204 | M.N | 8/23/95 |
| B | REVISED | J60145 | M.N | 7/10/96 |
| C | REVISED | J60192 | M.N | 8/30/96 |



SECT "D" - "D"



SECT "E" - "E"



DETAIL "C"

| SHEET INDEX | ISSUE SH NO. | MAT | DR | DATE | CUSTOMER COPY |
|-------------|--------------|-------------|---------------|---------|------------------|
| | | SEE SHEET 4 | M. Nagase | 8/30/96 | |
| | | | M. Nagase | 8/30/96 | |
| LINEAR | ±0.25 | FINISH | CHK M. Uemura | 9/2/96 | THIRD ANGLE PROJ |
| ANGLES | | SEE SHEET 4 | APPD K. Sugi | 10/3/96 | UNIT MM |

BERG
ELECTRONICS

| | | | | | | | | |
|-------------------------------|--|--|--|-------|------|----------|-----|-------|
| TITLE | | | | SCALE | SIZE | DWG. NO. | REV | SHEET |
| TWO-IN-ONE NEW MK-II HTP.TYPE | | | | 4/1 | B | 61062 | C | 30F |

DO NOT SCALE PRINT
DF-004A REV C

THIS INFORMATION IS CONFIDENTIAL AND IS DISCLOSED TO YOU ON CONDITION THAT NO FURTHER DISCLOSURE IS MADE BY YOU TO OTHER THAN BERG PERSONNEL WITHOUT WRITTEN AUTHORIZATION FROM BERG ELECTRONICS JAPAN K.K.

