

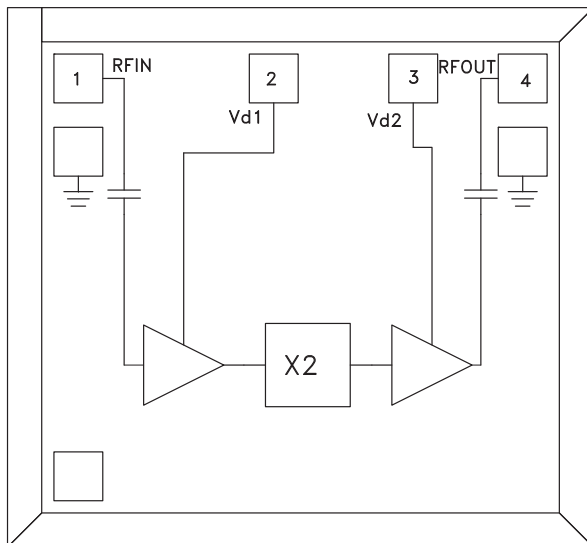
## GaAs MMIC x2 ACTIVE FREQUENCY MULTIPLIER, 27 - 33 GHz OUTPUT

### Typical Applications

The HMC449 is suitable for:

- Point-to-Point & Multi-Point Radios
- VSAT Radios
- Military EW, ECM, C<sup>3</sup>I
- Test Instrumentation
- Space

### Functional Diagram



### Features

- Output Power: +10 dBm
- Wide Input Power Range: -4 to +6 dBm
- Fo Isolation: 34 dBc @ Fout= 30 GHz
- 100 kHz SSB Phase Noise: -132 dBc/Hz
- Single Supply: 5V @ 50 mA
- Die Size: 1.10 x 1.20 x 0.1 mm

### General Description

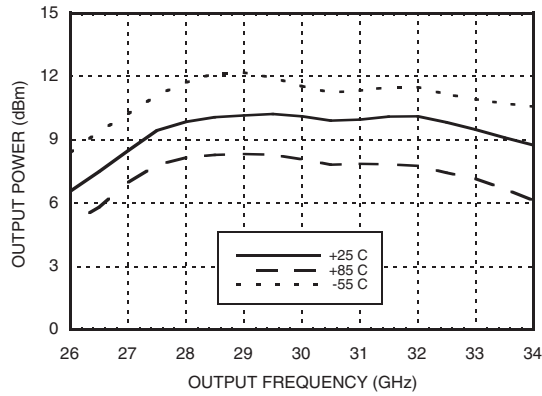
The HMC449 die is a x2 active broadband frequency multiplier chip utilizing GaAs PHEMT technology. When driven by a 0 dBm signal the multiplier provides +10 dBm typical output power from 28 to 32 GHz. The Fo and 3Fo isolations are >34 dBc and >17 dBc respectively at 30 GHz. The HMC449 is ideal for use in LO multiplier chains yielding a reduced parts count vs. traditional approaches. The low additive SSB Phase Noise of -132 dBc/Hz at 100 kHz offset helps maintain good system noise performance. All data is with the chip in a 50 ohm test fixture connected via 0.076mm x 0.0127mm (3mil x 0.5mil) ribbon bonds of minimal length 0.31mm (<12mils).

### Electrical Specifications, $T_A = +25^\circ \text{C}$ , $V_{dd} = 5.0\text{V}$ , 0 dBm Drive Level

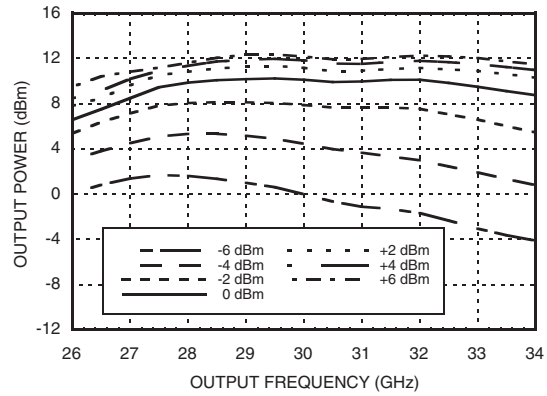
Parameter	Min.	Typ.	Max.	Units
Frequency Range, Input	13.5 - 16.5			GHz
Frequency Range, Output	27 - 33			GHz
Output Power	6	10		dBm
Fo Isolation (with respect to output level) Fout= 30 GHz		34		dBc
3Fo Isolation (with respect to output level) Fout= 30 GHz		17		dBc
Input Return Loss		13		dB
Output Return Loss		9		dB
SSB Phase Noise (100 kHz Offset)		-132		dBc/Hz
Supply Current (I <sub>dd</sub> )		50	70	mA

**GaAs MMIC x2 ACTIVE FREQUENCY MULTIPLIER, 27 - 33 GHz OUTPUT**

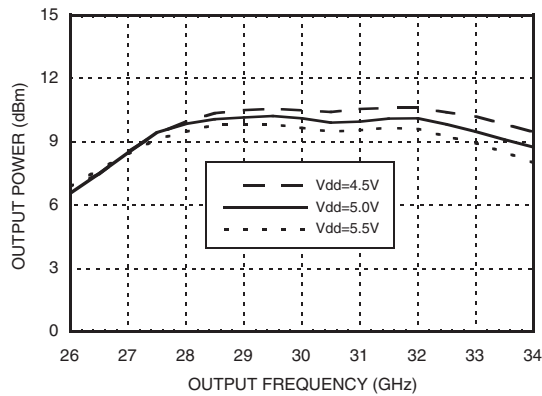
**Output Power vs. Temperature @ 0 dBm Drive Level**



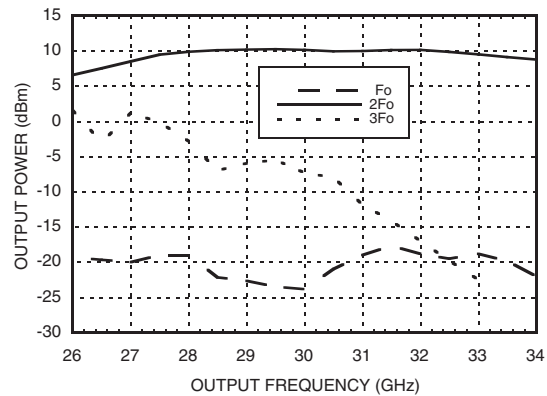
**Output Power vs. Drive Level**



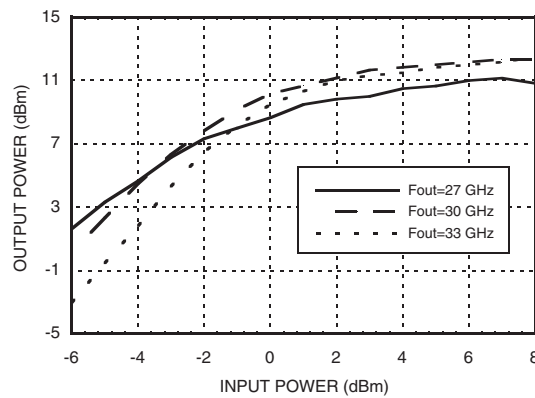
**Output Power vs. Supply Voltage @ 0 dBm Drive Level**



**Isolation @ 0 dBm Drive Level**



**Pout vs. Pin @ 3 Frequencies**

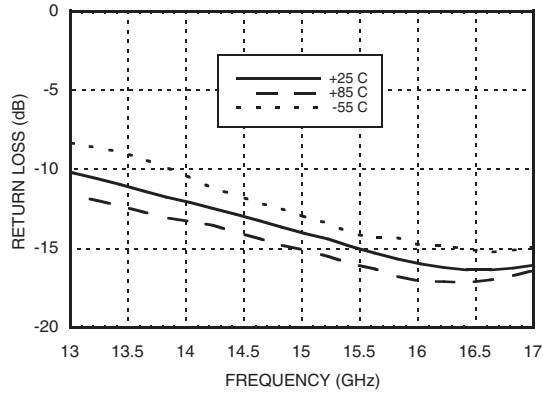


**GaAs MMIC x2 ACTIVE FREQUENCY MULTIPLIER, 27 - 33 GHz OUTPUT**

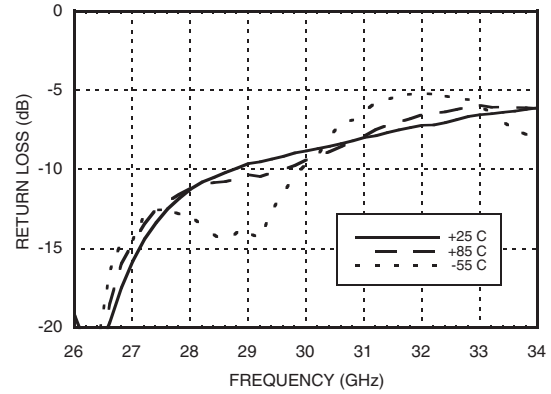
2

FREQUENCY MULTIPLIERS - ACTIVE - CHIP

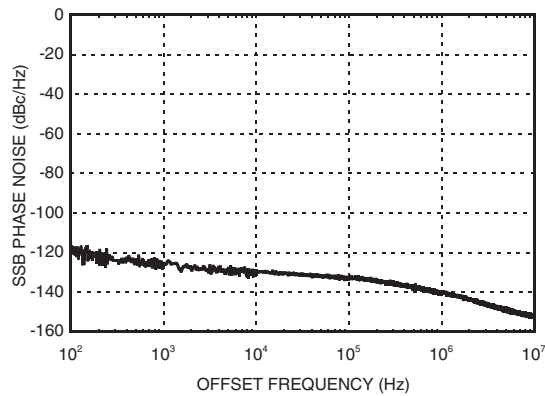
**Input Return Loss vs. Temperature**



**Output Return Loss vs. Temperature**



**SSB Phase Noise Performance, Fout = 26.4 GHz, Pin = 0 dBm**



**GaAs MMIC x2 ACTIVE FREQUENCY MULTIPLIER, 27 - 33 GHz OUTPUT**

**Absolute Maximum Ratings**

RF Input (Vcc= +5V)	+20 dBm
Supply Voltage (Vdd)	+6.0 Vdc
Channel Temperature	175 °C
Continuous Pdiss (T= 85 °C) (derate 8.3 mW/°C above 85 °C)	744 mW
Thermal Resistance (junction to die bottom)	121 °C/W
Storage Temperature	-65 to +150 °C
Operating Temperature	-55 to +85 °C

**Typical Supply Current vs. Vdd**

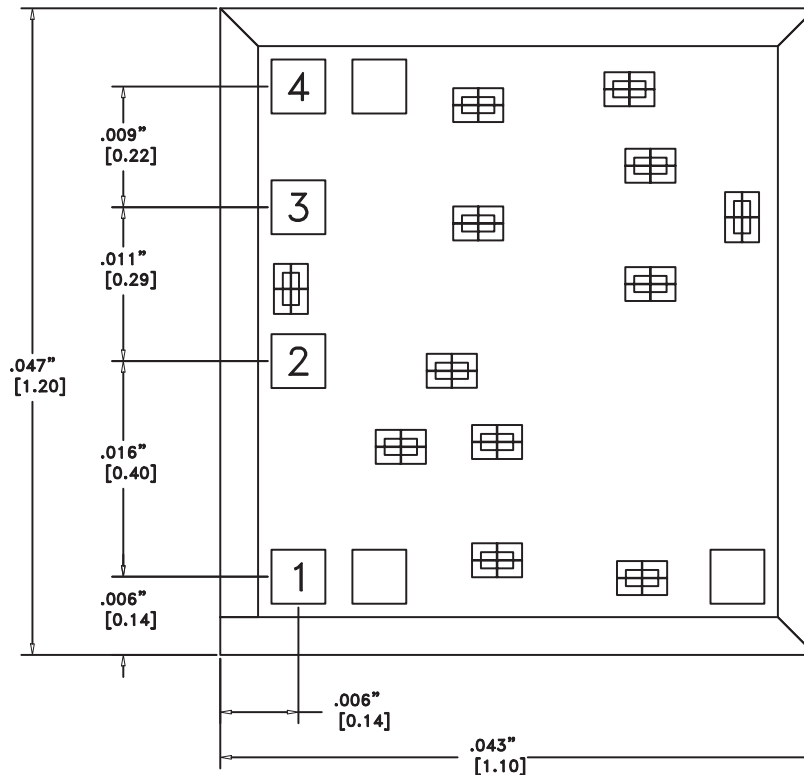
Vdd (V)	Idd (mA)
4.5	49
5.0	50
5.5	51

Note:  
Multiplier will operate over full voltage range shown above.



**ELECTROSTATIC SENSITIVE DEVICE  
OBSERVE HANDLING PRECAUTIONS**

**Outline Drawing**



**Die Packaging Information [1]**

Standard	Alternate
GP-2 (Gel Pack)	[2]

[1] Refer to the "Packaging Information" section for die packaging dimensions.

[2] For alternate packaging information contact Hittite Microwave Corporation.

**NOTES:**

1. ALL DIMENSIONS ARE IN INCHES [MILLIMETERS].
2. DIE THICKNESS IS .004"
3. TYPICAL BOND PAD IS .004" SQUARE.
4. TYPICAL BOND SPACING IS .006" CENTER TO CENTER.
5. BOND PAD METALIZATION: GOLD
6. BACKSIDE METALIZATION: GOLD
7. BACKSIDE METAL IS GROUND.
8. NO CONNECTION REQUIRED FOR UNLABELED BOND PADS.

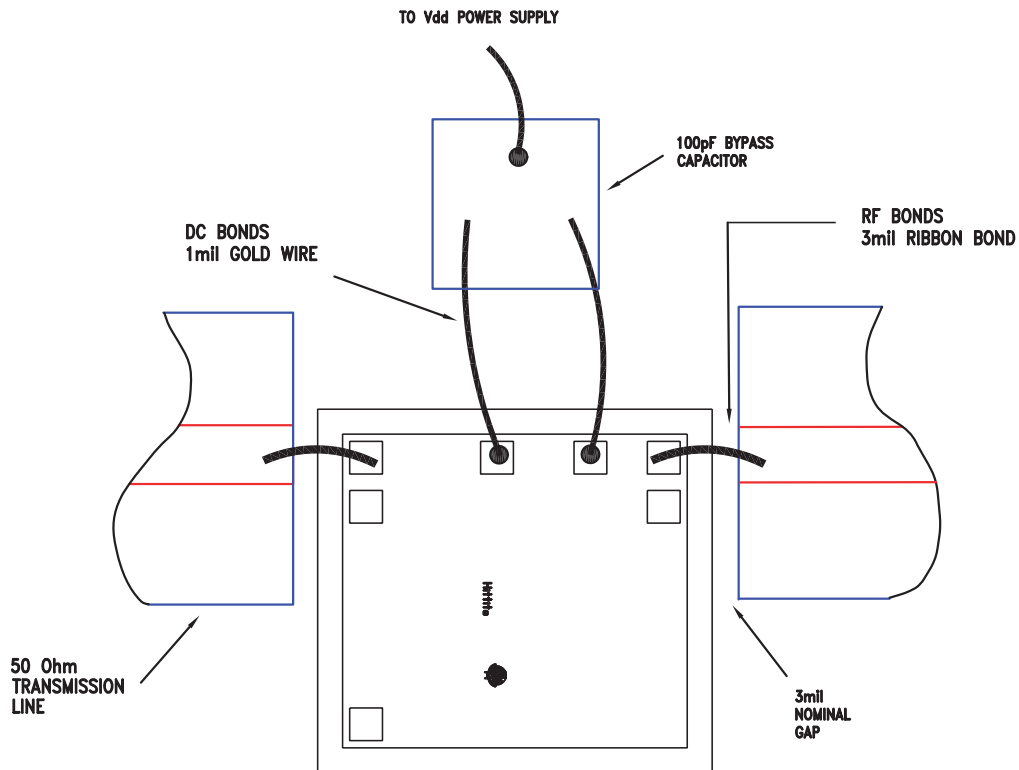
For price, delivery, and to place orders, please contact Hittite Microwave Corporation:  
20 Alpha Road, Chelmsford, MA 01824 Phone: 978-250-3343 Fax: 978-250-3373  
Order On-line at [www.hittite.com](http://www.hittite.com)

**GaAs MMIC x2 ACTIVE FREQUENCY MULTIPLIER, 27 - 33 GHz OUTPUT**

**Pad Description**

Pad Number	Function	Description	Interface Schematic
1	RFIN	Pin is AC coupled and matched to 50 Ohms.	RFIN ○ —  —
2, 3	Vdd	Supply voltage 5V ± 0.5V.	
4	RFOUT	Pin is AC coupled and matched to 50 Ohms.	—  ○ RFOUT
	GND	Die bottom must be connected to RF ground.	○ GND  —

**Assembly Diagram**



**GaAs MMIC x2 ACTIVE FREQUENCY MULTIPLIER, 27 - 33 GHz OUTPUT**

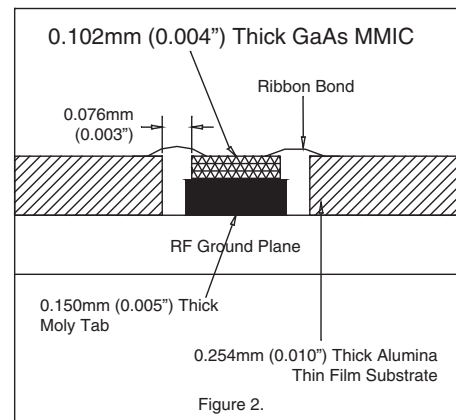
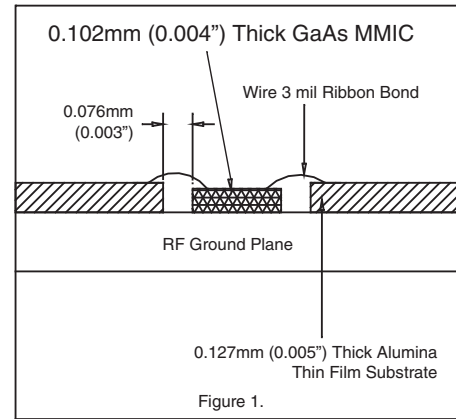
**Mounting & Bonding Techniques for Millimeterwave GaAs MMICs**

The die should be attached directly to the ground plane eutectically or with conductive epoxy (see HMC general Handling, Mounting, Bonding Note).

50 Ohm Microstrip transmission lines on 0.127mm (5 mil) thick alumina thin film substrates are recommended for bringing RF to and from the chip (Figure 1). If 0.254mm (10 mil) thick alumina thin film substrates must be used, the die should be raised 0.150mm (6 mils) so that the surface of the die is coplanar with the surface of the substrate. One way to accomplish this is to attach the 0.102mm (4 mil) thick die to a 0.150mm (6 mil) thick molybdenum heat spreader (moly-tab) which is then attached to the ground plane (Figure 2).

Microstrip substrates should be brought as close to the die as possible in order to minimize ribbon bond length. Typical die-to-substrate spacing is 0.076mm (3 mils). Gold ribbon of 0.075 mm (3 mil) width and minimal length <0.31 mm (<12 mils) is recommended to minimize inductance on RF, LO & IF ports.

An RF bypass capacitor should be used on the Vdd input. A 100 pF single layer capacitor (mounted eutectically or by conductive epoxy) placed no further than 0.762mm (30 Mils) from the chip is recommended.



**Handling Precautions**

Follow these precautions to avoid permanent damage.

**Storage:** All bare die are placed in either Waffle or Gel based ESD protective containers, and then sealed in an ESD protective bag for shipment. Once the sealed ESD protective bag has been opened, all die should be stored in a dry nitrogen environment.

**Cleanliness:** Handle the chips in a clean environment. DO NOT attempt to clean the chip using liquid cleaning systems.

**Storage:** All bare die are placed in either Waffle or Gel based ESD protective containers, and then sealed in an ESD protective bag for shipment. Once the sealed ESD protective bag has been opened, all die should be stored in a dry nitrogen environment.

**Static Sensitivity:** Follow ESD precautions to protect against ESD strikes.

**Transients:** Suppress instrument and bias supply transients while bias is applied. Use shielded signal and bias cables to minimize inductive pick-up.

**General Handling:** Handle the chip along the edges with a vacuum collet or with a sharp pair of bent tweezers. The surface of the chip may have fragile air bridges and should not be touched with vacuum collet, tweezers, or fingers.

**Mounting**

The chip is back-metallized and can be die mounted with AuSn eutectic preforms or with electrically conductive epoxy. The mounting surface should be clean and flat.

**Eutectic Die Attach:** A 80/20 gold tin preform is recommended with a work surface temperature of 255 deg. C and a tool temperature of 265 deg. C. When hot 90/10 nitrogen/hydrogen gas is applied, tool tip temperature should be 290 deg. C. DO NOT expose the chip to a temperature greater than 320 deg. C for more than 20 seconds. No more than 3 seconds of scrubbing should be required for attachment.

**Epoxy Die Attach:** Apply a minimum amount of epoxy to the mounting surface so that a thin epoxy fillet is observed around the perimeter of the chip once it is placed into position. Cure epoxy per the manufacturer's schedule.

**Wire Bonding**

Ball or wedge bond with 0.025mm (1 mil) diameter pure gold wire. Thermo-sonic wirebonding with a nominal stage temperature of 150 deg. C and a ball bonding force of 40 to 50 grams or wedge bonding force of 18 to 22 grams is recommended. Use the minimum level of ultrasonic energy to achieve reliable wirebonds. Wirebonds should be started on the chip and terminated on the package or substrate. All bonds should be as short as possible <0.31mm (12 mils).