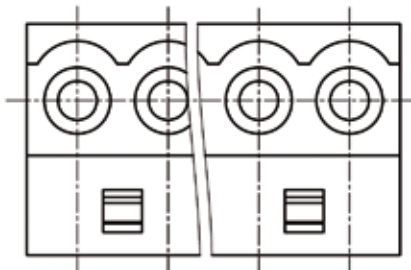
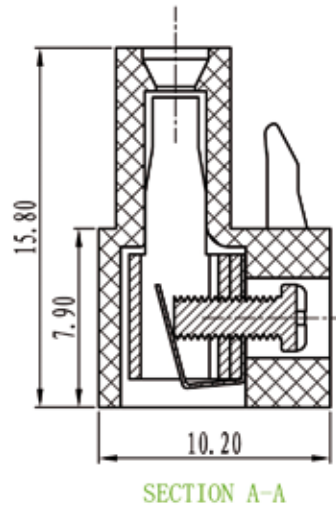
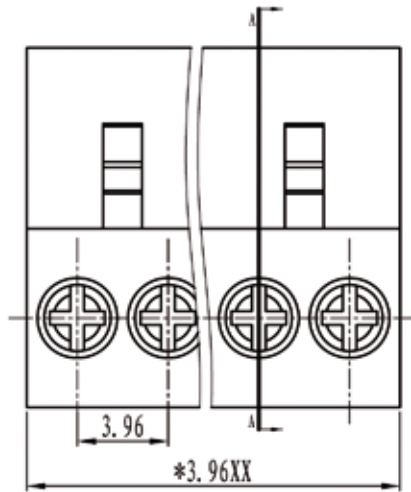


euro-block

product specification



TOLERANCES EXCEPT AS NOTED

Electrical

Standard: UL-IEC
 Rated voltage: 300V-320V
 Rated current: 8A-15A
 Contact resistance: 20m Ω
 Wire range: 26-16AWG-1.5mm²
 Withstanding voltage: AC2000V/1Min
 Insulation resistance: 500M Ω/DC1000V

Mechanical

Torque: 0.2Nm (1.7Lb/in)
 Temp. Range: -40°C~+105°C
 Strip length: 5-6mm

Dimensions

Pitch: 3.96mm
 Poles: 2p-24p

Material

Housing: PA66, UL94V-0
 Screws: M2, steel Zinc plated
 Wire guard: Brass, Ni plated
 Clamp: Phosphor bronze, Ni plated

variable range	linear dimension				fillet	chamfer	short angle sid			≡	-	□	//	⊥		
	to 6	over 6 to 30	over 30 to 120	over 120 to 480	all to 6	over 6 to 10	over 10 to 50	over 50 to 120	all to 5	over 5 to 30	over 30 to 120	over 120 to 480	0.12	0.4		
tolerance	±0.1	±0.2	±0.3	±0.5	±0.2	±0.5	±1	1'	30'	20'	10'	0.5	0.025	0.06	0.12	0.4

UNITS	mm	SIZE	A4	SCALE	FIRST ANGLE PROJECTION	
euro-block						
					NAME	CF9