

NEW! Stepper Motor Driver IC's From Panasonic

AN44063A, AN44065A, AN44066A, AN44067A, AN44069A, AN44071A Series Low Ron, Various Current Ranges

Panasonic, a worldwide leader in Semiconductor Products, is pleased to announce these **NEW Stepper Motor Driver Series** to their already existing product line. This broadened selection of IC's for Stepper Motor Drivers offer built-in functionality in smaller case sizes allowing easy PCB design and maximum board space savings. High current drive is achieved by adopting low Ron-device and high-voltage-device.

Features:

- Low Ron, High Current
- Low EMI
- Up to 2W1-2 Phase Excitation
- 1CLK, Parallel Interface
- RoHS Compliant

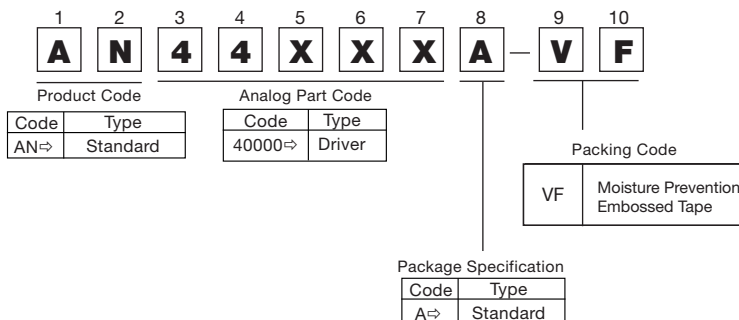
Benefits:

- Easy Heat Design
- Save Board Space
- Low Power Consumption
- Low Acoustic Noise

Industries:

- Office Automation
- White Goods
- Security
- Industrial
- Consumer Electronics

Part Number Information:

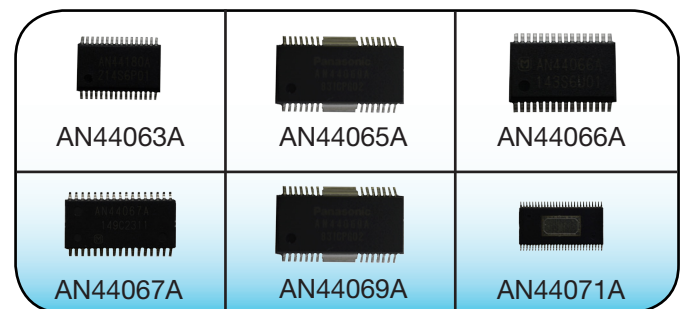


Applications:

- All Applications Requiring Stepper Motor Driver Programming

Additional Information:

For detailed specification information on these NEW Stepper Motor Drivers, please visit: panasonic.com/industrial/includes/zip/AN44xxxA-VF_Datasheet.zip today!



Website: panasonic.com/industrial/semiconductors

