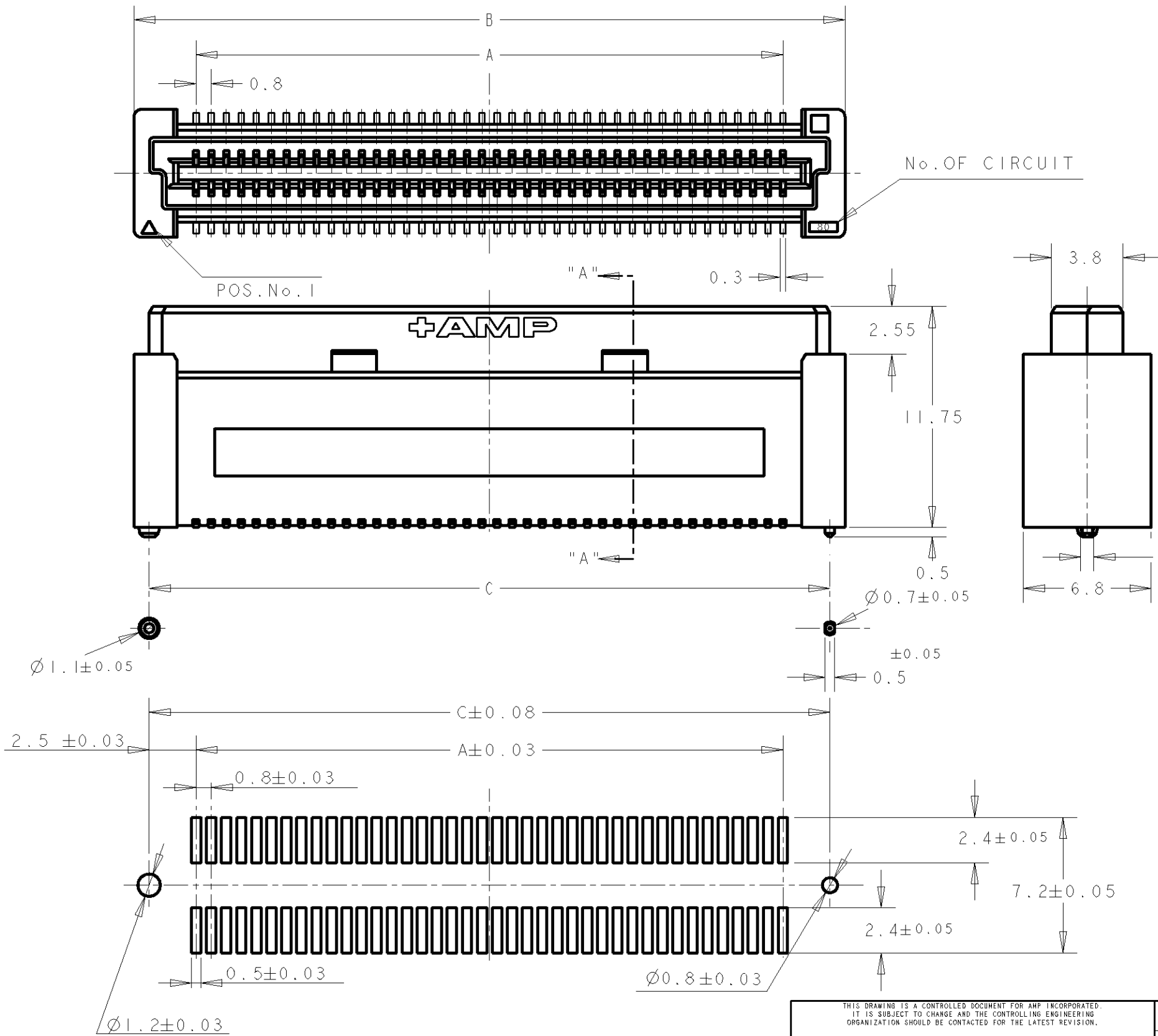
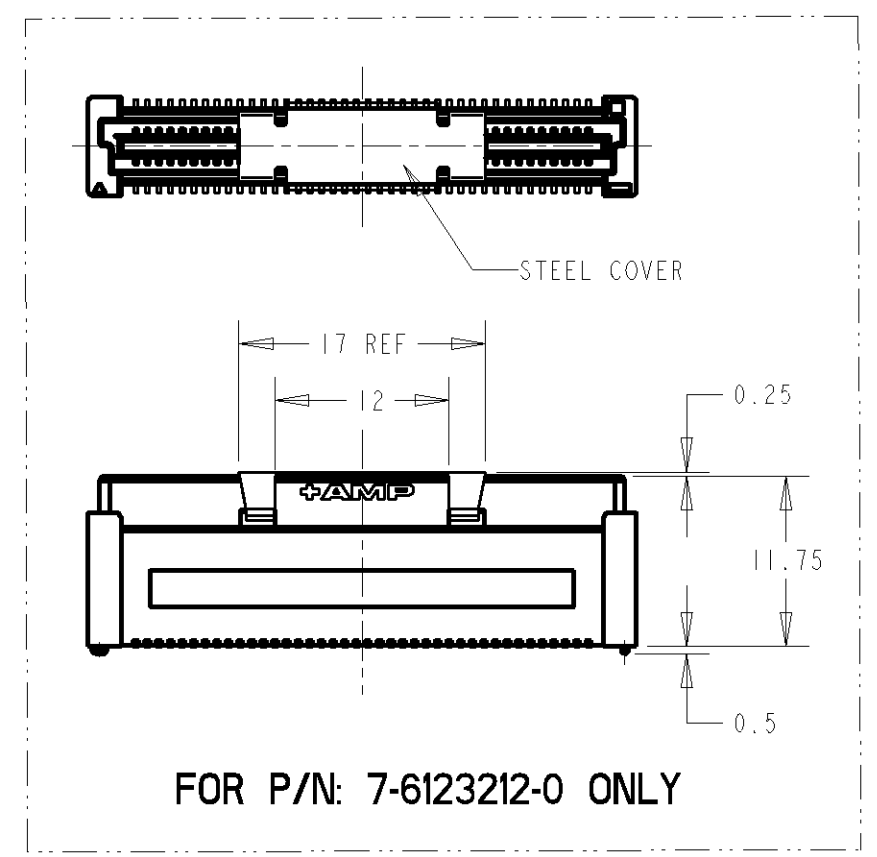


THIS DRAWING IS UNPUBLISHED. RELEASED FOR PUBLICATION .19 .
 © COPYRIGHT 19 BY AMP INCORPORATED. ALL RIGHTS RESERVED.

LOC	DIST	REVISIONS			
P	LTR	DESCRIPTION	DATE	DWN	APVD
DY	-	01 REVISED PER ECR-06-029208	14DEC06	SYJ	LSF



- NOTES:
- 1. MATERIAL: HOUSING: L.C.P. (HIGH TEMP. THERMOPLASTIC) UL 94V-0, NATURAL. CONTACT: BERYLIUM COPPER.
 - 2. FINISH: CONTACT AREA: 0.00076 MIN GOLD ON 0.0013 MIN ALL OVER NICKEL. SOLDERING AREA: 0.002 MIN MATTE-TIN.
 - 3. POSITION SERIES: SEE TABLE. (SHEET 2)
 - 4. CONN STACK HEIGHT COMBINE OF PLUG "Y" H VS REC "X" H. STACK HEIGHT = Y + X - 5
 - 5. FOR STEEL COVER PICK AND PLACE VERSION, DESCRIPTION PRINTING ON TUBE IS: "REC ASS'Y (H=13mm), W/ STEEL COVER, 0.8mm BTB STACKING CONN"



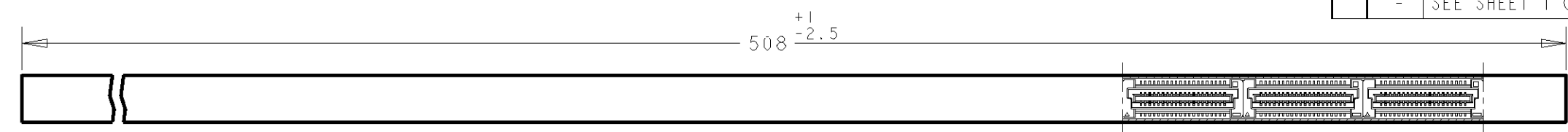
P/N SEE SHEET 2 OF 2

RECOMMENDED P.C. BOARD LAYOUT

THIS DRAWING IS A CONTROLLED DOCUMENT FOR AMP INCORPORATED. IT IS SUBJECT TO CHANGE AND THE CONTROLLING ENGINEERING ORGANIZATION SHOULD BE CONTACTED FOR THE LATEST REVISION.		DWN FLORENCE TAN 23AUG04	tyco Electronics		Tyco Electronics (Singapore) Pte. Ltd.
DIMENSIONS: mm		CHK ERIC TNG	NAME REC ASSY		
TOLERANCES UNLESS OTHERWISE SPECIFIED: 0 PLC ± 1 PLC ±0.30 2 PLC ±0.25 3 PLC ±0.20 4 PLC ± ANGLES ±3°		APVD SF J FONG	FOR FH 0.8 B-T-B CONNECTOR 13H 0.5 BOSS LENGTH (0.76um GOLD)		
MATERIAL		PRODUCT SPEC 108-5390	SIZE A3	CAGE CODE 00779	DRAWING NO C-6123212
FINISH		APPLICATION SPEC 114-5254	SCALE 4:1		SHEET 1 OF 2
CUSTOMER DRAWING		WEIGHT -	REV 01		

THIS DRAWING IS UNPUBLISHED. RELEASED FOR PUBLICATION .19 .
 © COPYRIGHT 19 BY AMP INCORPORATED. ALL RIGHTS RESERVED.

LOC	DIST	REVISIONS					
DY	-	P	LTR	DESCRIPTION	DATE	DWN	APVD
				- SEE SHEET 1 OF 2			



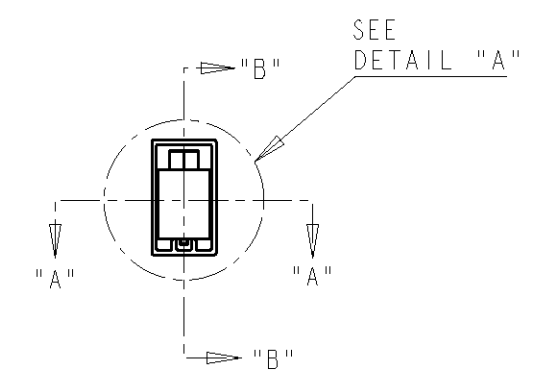
REFERENCE PICTURE OF TUBE PACK (WITHOUT STEEL COVER VERSION)

SECT "A" - "A"

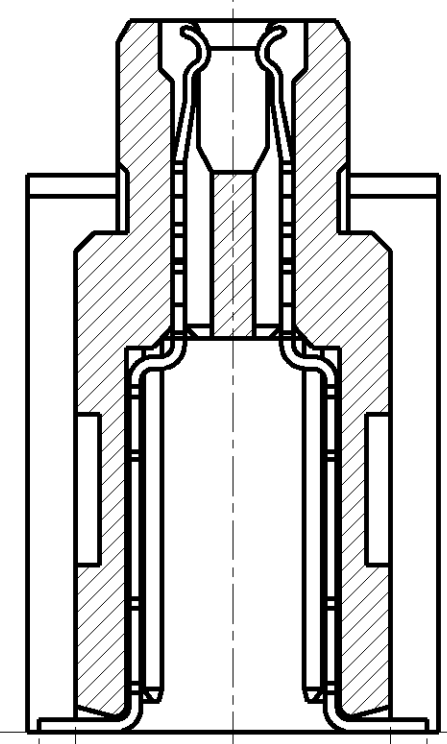


REC ASS'Y (H=13mm), 0.8mm BTB STACKING CONN

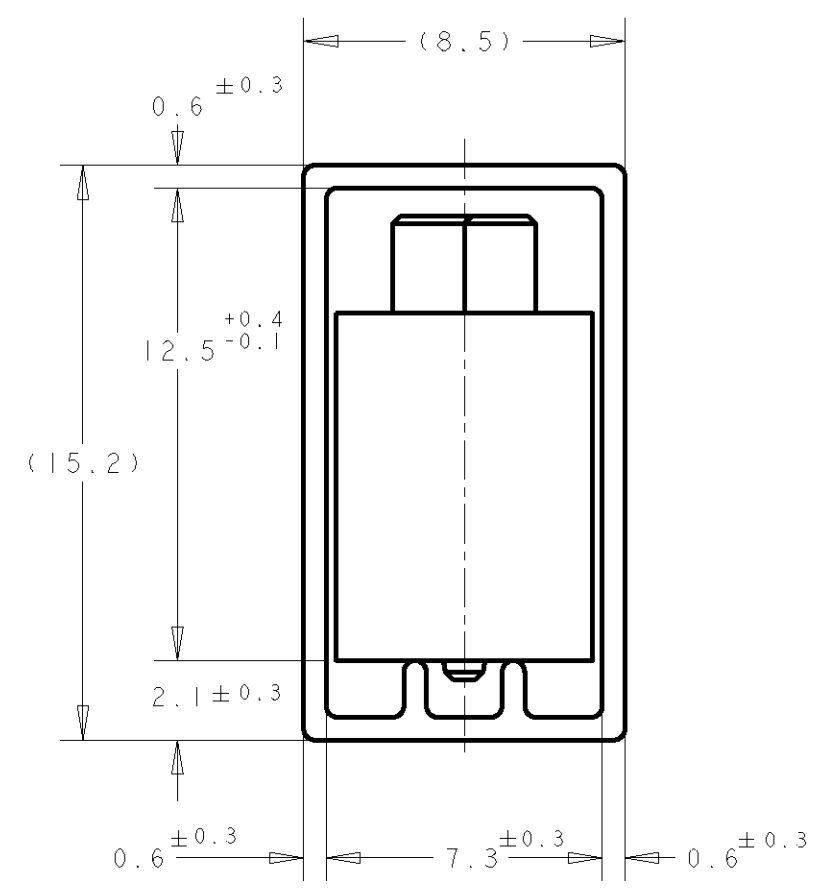
SECT "B" - "B"



SEE DETAIL "A"



SECT "A" - "A" (SCALE: 8-1)

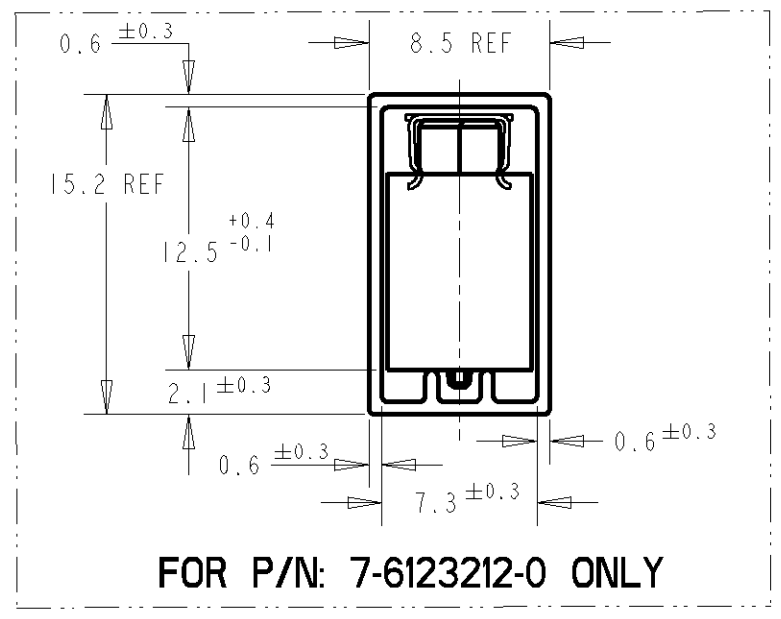


DETAIL "A" (SCALE 5-1)

WITH STEEL COVER	AVAILABLE	84.20	85.80	79.20	200	7-	-0
		84.20	85.80	79.20	200	6-	-0
		76.20	77.80	71.20	180	5-	-9
		68.20	69.80	63.20	160	5-	-8
		60.20	61.80	55.20	140	5-	-6
		52.20	53.80	47.20	120	5-	-5
		44.20	45.80	39.20	100	5-	-4
		36.20	37.80	31.20	80	5-	-3
		28.20	29.80	23.20	60	5-	-2
20.20	21.80	15.20	40	5-6123212-1			
REMARKS	STATUS	C	B	A	POS.	PART No.	

THIS DRAWING IS A CONTROLLED DOCUMENT FOR AMP INCORPORATED. IT IS SUBJECT TO CHANGE AND THE CONTROLLING ENGINEERING ORGANIZATION SHOULD BE CONTACTED FOR THE LATEST REVISION.		DWN FLORENCE TAN	16SEP04
DIMENSIONS: mm		CHK ERIC TNG	
TOLERANCES UNLESS OTHERWISE SPECIFIED:		APVD SEI FONG	
0 PLC	±	PRODUCT SPEC	108-5390
1 PLC	±0.30	APPLICATION SPEC	114-5254
2 PLC	±0.25	WEIGHT	-
3 PLC	±0.20		
4 PLC	±		
ANGLES	±3°		
MATERIAL	FINISH	CUSTOMER DRAWING	
1	2		

tyco Electronics		Tyco Electronics (Singapore) Pte. Ltd.	
NAME REC ASSY FOR FH 0.8 B-T-B CONNECTOR 13H 0.5 BOSS LENGTH (0.76um GOLD)			
SIZE A3	CAGE CODE 00779	DRAWING NO C-6123212	
SCALE 4:1		SHEET 2 OF 2	REV 01



FOR P/N: 7-6123212-0 ONLY