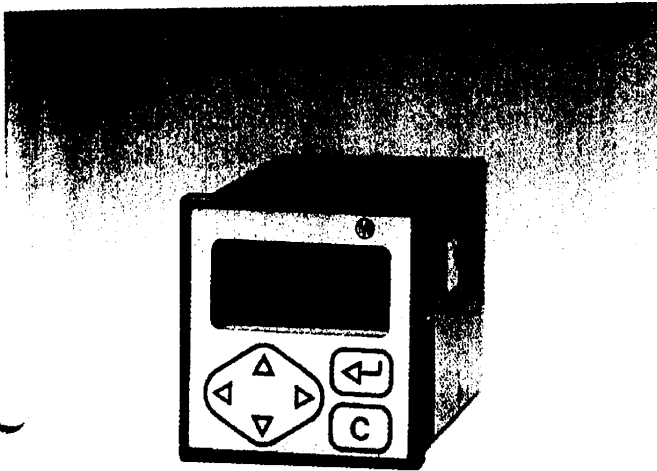


Electronic preselection counter

Two presets

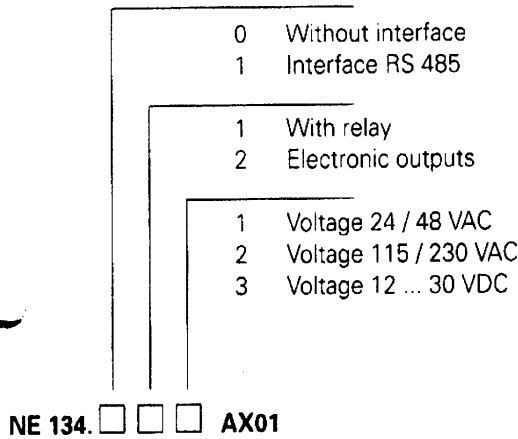
NE 134



Characteristics of device

Technology	µP - device
Functions	Main counter with 1 or 2 presets 8-digit totalizer Positive and negative counting range for main counter and totalizer Batch counter with or w/o pre-setting Start value can be programmed Scaling factor can be programmed from 0.0001 bis 9999.99 Interface RS 485

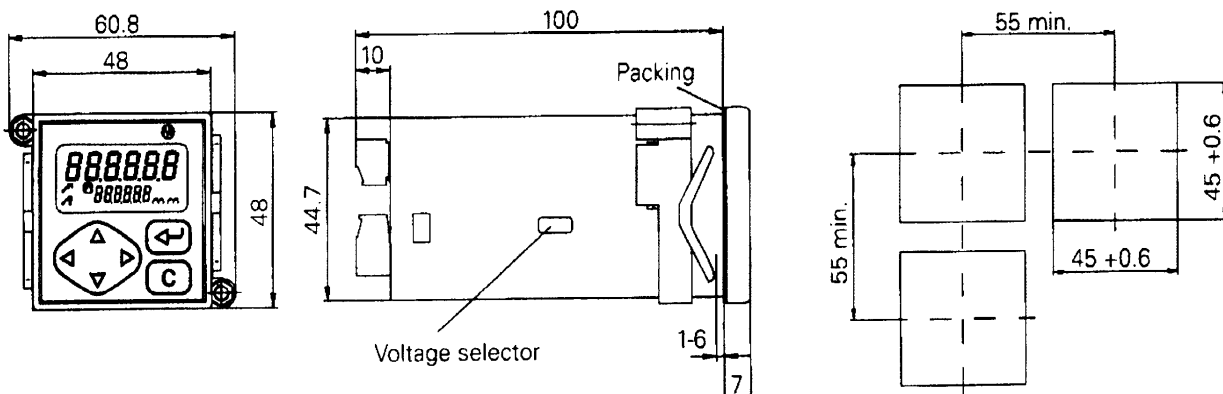
Order designation



Mechanical data

Display	LCD with 2 rows of digits Yellow background illumination 6-digit display of real value, 7 mm high 6-digit display of set value, 4 m high Decimal point can be programmed Suppression of leading zero Measurement units can be programmed in "m", "dm", "cm", "mm", "l"
Operation, keypad	Front membrane with short-stroke keys
Front dimensions	DIN housing 48 x 48 mm
Mounting	Front installation
Fastening	Clamping frame
Weight	Version AC: ca. 260 g Version DC: ca. 140 g
Type of connection	Plug-in screw terminals Grid 5.08 mm / 3.81 mm
Core cross-section	Max. 1.5 mm ²
Housing material	Polycarbonate black, UL 94V - 0
Membrane material	Polyester

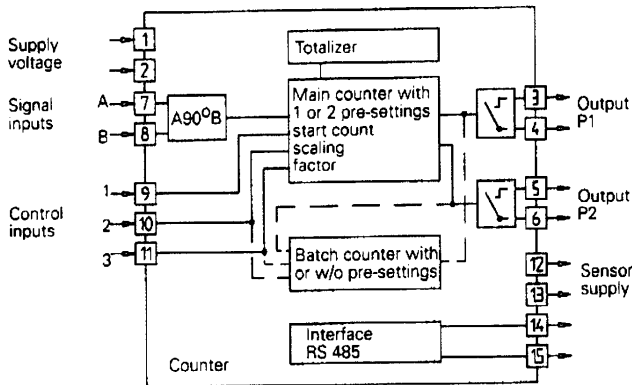
Dimensions and cutout size





NE 134

Block diagram



Counting mode of signal inputs A / B

UP / DOWN, A - B, A + B, A 90° B x1, A 90° B x2, A 90° B x4

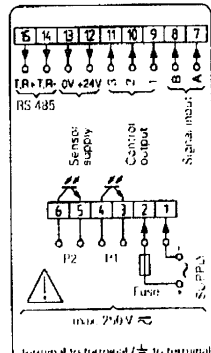
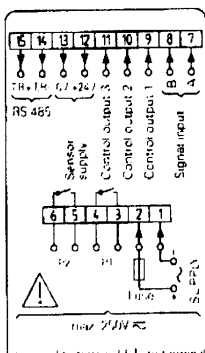
Ambient conditions

Ambient temperature	0 °C ... + 50 °C
Storage temperature	- 20 °C ... + 70 °C
Relative humidity	Max. rel. humidity 80 %, at 25 °C, non-condensing
Protection	Front IP 65 to DIN 40050
Operational requirements	To contamination factor 2
Classification	According to EN 61 010 Category II
Interference immunity	EN 50 082 - 2 Severity grade 2 - 3
Emitted interference	EN 50 081 - 2
General rating	EN 61 010
Oversvoltage protection	II

Pin assignments

With relay outputs

with electronic outputs



Electrical data

Supply voltage	Choice of two voltages (AC) via switch on device. When supplied, always higher voltage adjusted. 115 / 230 VAC ± 10 % (50 / 60 Hz) 24 / 48 VAC ± 10 % (50 / 60 Hz) 12 ... 30 VDC, 5 % residual ripple, ± 10 %
Power consumption	5 VA, 4 W
Sensor supply	12 ... 26 VDC / 60 mA
Signal inputs	Comparator inputs PNP, NPN or AC-logic, NAMUR Voltage level 4 V ... 40 V Input resistance 3 kOhm
Counting rate	Main counter: 3 Hz, 25 Hz, 10 kHz Batch counter Max. 20 Hz
Control inputs	3 control inputs for reset, stop, hold, print, keylock etc.
Signal outputs	Can be programmed as momentary or permanent signals Impulse time can be programmed from 0.01 to 99.99 s
Relay signal outputs	2 floating relays to be programmed as normally open or normally closed contact Internal spark suppression Max. switching voltage 250 VAC/110 VDC Max. switching power 1 A Max. switching capacity 150 VA / 30 W
Electronic outputs	Optocoupler Max. switching voltage 50 V Max. switching power 25 mA
Data storage	> 10 years via EEPROM
Operation modes	To be programmed as adding or subtracting