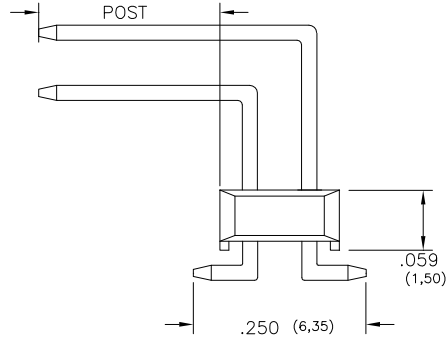
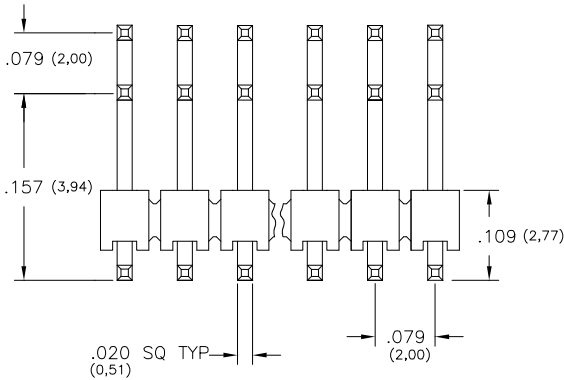
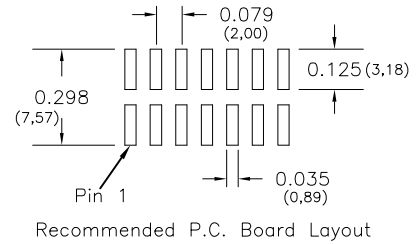
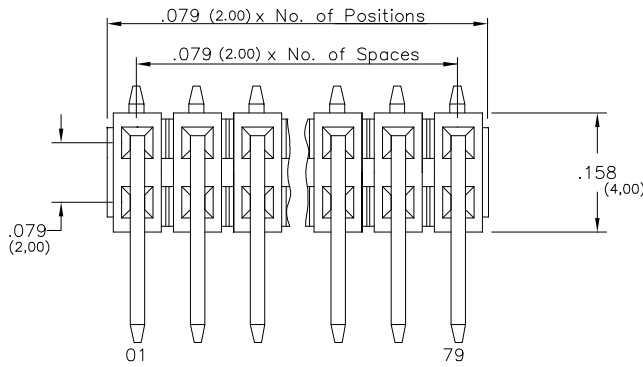


# Major League Electronics .079 cl Terminal Strip Headers - Right Angle - Custom - Surface Mount



Tails may be clipped to achieve desired pin length

## Ordering Information

TSHCRSM-2 [ ] - D - [ ] - [ ] - [ ] - [ ] - [ ] - [ ] - LF

Pins Per Row  
01 - 40

Row Specification  
D = Dual Row

Desired Post Height  
Please specify  
e.g. .100 (2.54) = 100

Select nearest Max. Post Height greater than your Desired Post Height

Pin Options		
Post Length		
.154	3.91mm	02
.174	4.42mm	04
.213	5.41mm	05
.312	7.92mm	06
.332	8.43mm	08
.351	8.92mm	10

Lead Free

### Packing Information

TR-P = Tape and Reel with Plastic Pick and Place pad  
TB-P = Tube with Plastic Pick and Place pad  
TB-0 = Tube without Pick and Place Pad  
If left blank, packaging at MLE's discretion  
Pad may be metal, mylar or plastic

### Polarized Position

Leave blank if not needed  
If required, specify empty pin position, e.g. 012 for Pin 12

Plating Options	
H	30µ Gold on Contact Area / Matte Tin on Tail
T	Matte Tin All Over
GT	10µ Gold on Contact Area / Matte Tin on Tail
G	10µ Gold on Contact Area / Flash on Tail
F	Gold Flash over Entire Pin

## Specifications

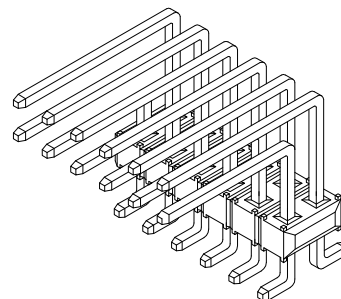
Current Rating: 3.0 Ampere  
Insulation Resistance: 1000MΩ Min.  
Dielectric Withstanding: 500V AC  
Contact Resistance: 20 mΩ Max.  
Operating Temperature: -40°C to + 105°C  
Max. Process Temperature:  
Peak: 260°C up to 10 secs.  
Process: 230°C up to 60 secs.  
Wave: 260°C up to 6 secs.  
Reflow: 260°C up to 10 secs.  
Manual Solder: 350°C up to 5 secs.

## Materials

Contact Material: Phosphor Bronze  
Insulator Material: Nylon 6T  
Plating: Au or Sn over 50µ" (1.27) Ni

## Mates with:

BCSS,  
BSSH,  
BSSHC,  
BSSQ,  
BSSQC,  
BSSQM,  
LSMBC,  
LSSHSM,  
SMBC,  
SSHQ,  
SSHQR,  
SSHR,  
SSHS,  
SSHSM,  
ULSMBC



Products cut to specific sizes are uncancellable/nonreturnable

Parts are subject to change without notice

TSHCRSM-2-DV SERIES

.079 cl Dual Row - Surface Mount  
Terminal Strip Headers - Right Angle - Custom

13 FEB 07

Scale  
NTS

UNLESS OTHERWISE SPECIFIED  
DIMENSIONS IN INCHES (MM)  
TOLERANCES ARE:

ONE PLACE DECIMALS ±.100  
TWO PLACE DECIMALS ±.010  
THREE PLACE DECIMALS ±.005  
FOUR PLACE DECIMALS ±.0020  
ANGLES  
±5°



4235 Earnings Way, New Albany, Indiana, 47150, USA  
1-800-782-3486 (USA/Canada/Mexico)

Tel: 812-944-7244  
Fax: 812-944-7268

E-mail: mle@mlelectronics.com  
Web: www.mlelectronics.com

Edition  
1

Sheet  
1/1