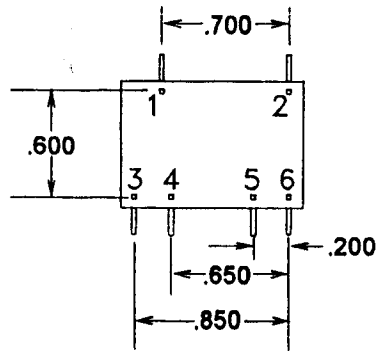
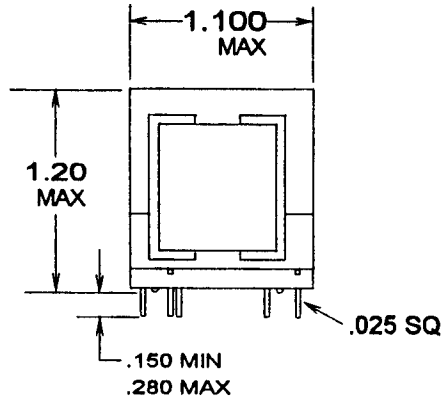
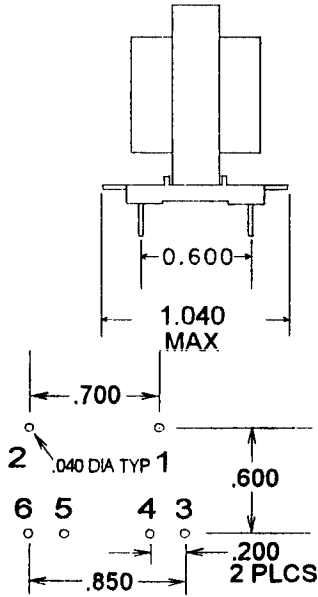


TOLERANCE UNLESS SPECIFIED = .XXX = +/- .005 .XX = +/- .015 FRACTIONS = +/- .032

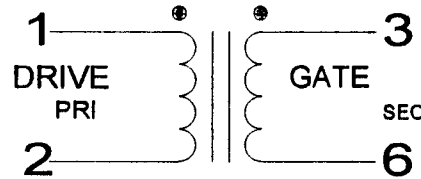
GDE25-5.DC2



BOTTOM VIEW



MOUNTING HOLE PATTERN TOP VIEW



## PRODUCTION TESTS

URNS RATIO = 100%

DC RESISTANCE IN OHMS	(1 - 2) .350 MAX
	(3 - 6) .850 MAX

APPLY = .1V @ 10 KHz PIN (1 - 2)

INDUCTANCE = 680 uHYS MIN

LEAKAGE INDUCTANCE = 3.50 uHYS MAX 1 TO 2  
WITH 3 TO 6 SHORTED

HIPOT = 4125 VRMS 1 SEC MIN PRI TO SEC  
2750 VRMS 1 SEC MIN SEC TO CORE  
1375 VRMS 1 SEC MIN PRI TO CORE

### FINAL ASSEMBLY NOTES

**MagneTek**

PART NO. GDE25-5