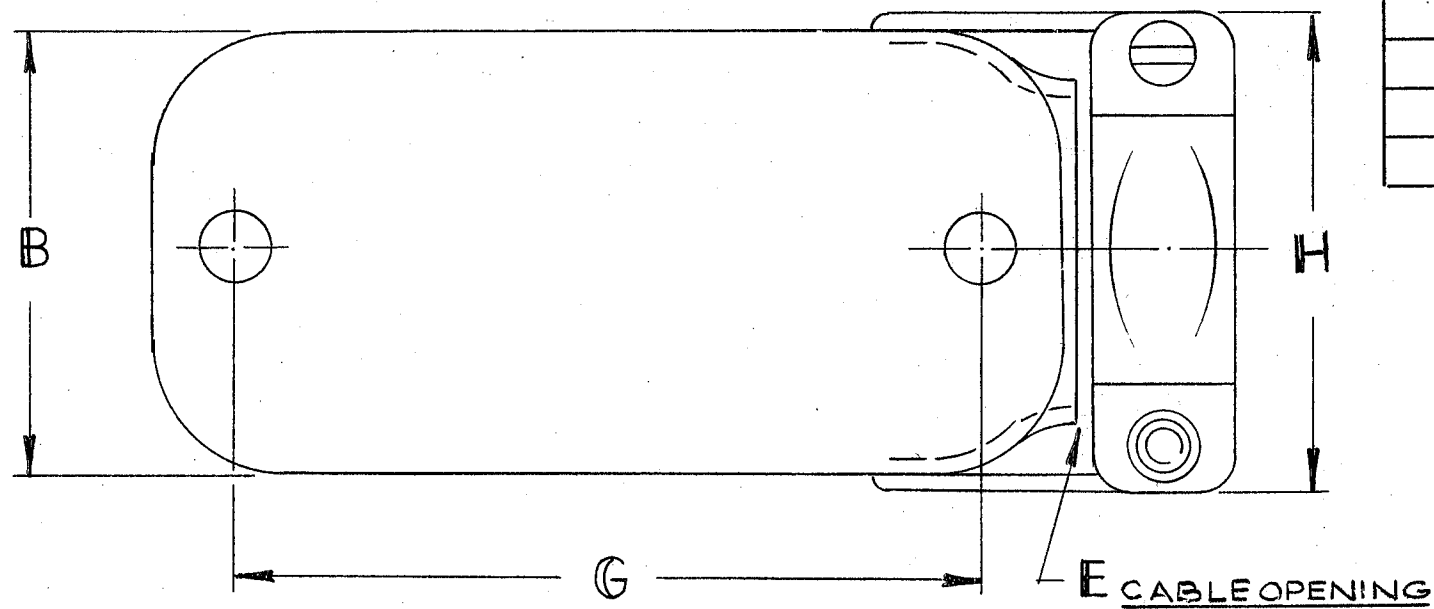
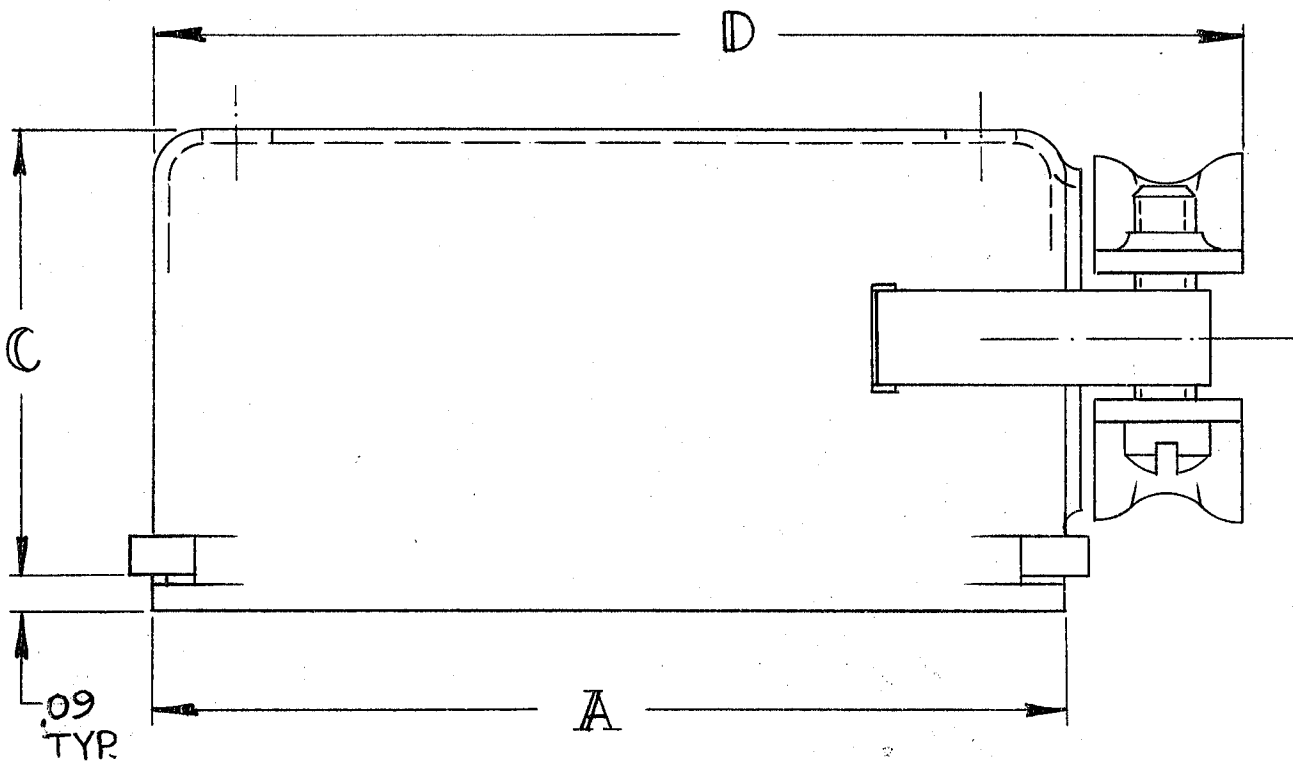


H
2-9



NUMBER OF CONTACTS	DIMENSIONS						
	A	B	C	D	E	G	H
34	2.09	.83		2.59	.64x.75	1.688	1.06
50-8	2.38	1.22	1.17	2.92	.84 D	1.969	1.34
6.6							
104	2.84	1.63	2.23	3.39	1.19 D	2.375	1.63



TOLERANCE UNLESS OTHERWISE SPECIFIED FRACTIONS ± DECIMALS ± .007 ANGULAR ±

XX ± .02 (H3)

XMRA/E**0800D
45-**H9
XAC**0800X/CORL/
XMRAX**0800X/CORL/
MRAC**H9/JTC/
MRA**H9/JTC/
USED ON

TITLE OUTLINE DRAWN HOODS
LARGE SIDE OPENING FOR
TURNABLE JACK SCREWS

FINISH
SCALE DR. HASZ CK'D. W. Fairly AP'D.
DATE 2-10-60 DATE 11-7-60 DATE

WINCHESTER ELECTRONICS, INC.
NORWALK, CONN.

DWG. SIZE B 2-9 REV. H

This drawing, the designs and ideas embodied in the device to which it relates, and the methods of producing the device, are the property of Winchester Electronics, Incorporated and shall not be employed, copied, or disclosed to anyone, in any manner without the consent of Winchester Electronics, Incorporated.

REV.	CHANGE	DATE	BY	APP'D.
E	REDRAWN EN 6352 N.F.	2-10-60	W	
F	ADDED XMRA/E**0800D TO USAGE CHART EN-1074	1-31-63	W	
G	2 7/32 WAS 2 5/16 SIZE 34 COL. A. 27/32 WAS 53/64 SIZE 34, COL. B. 1 1/64 WAS 1 5/32, SIZE 34, 50-8 COL. C. 2 15/64 WAS 2 7/32 SIZE 104, COL. C. 2 19/32 WAS 2 37/64 SIZE 34 COL. D EN-1074	6-22-66	Edo	
H	1) .83 WAS 27/32 2) .09 TYP. WAS 5/64 3) ADDED ±.02 4) CHANGED ALL FRACTIONS TO DECIMALS ECR# 2181	10/31/91	Donna M.D.	