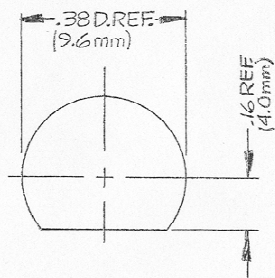
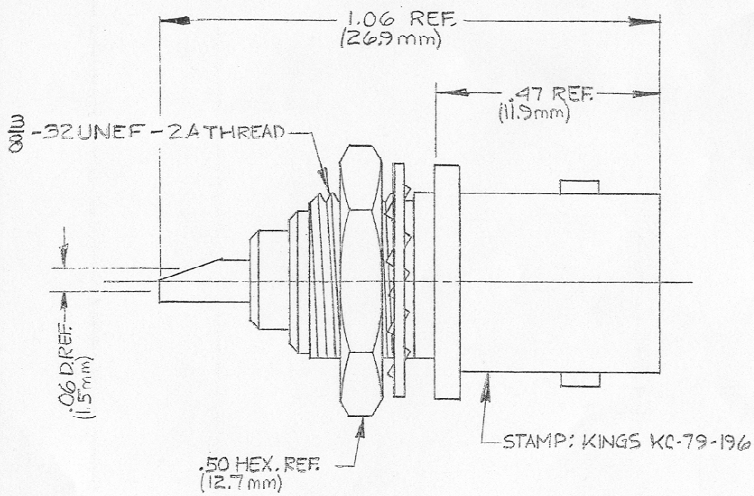


DASH NO.	M CODE	MADE FROM
----------	--------	-----------



MOUNTING HOLE

NOTES:

1. MATERIALS:
 BNC CONTACT F- BERYLLIUM COPPER, QQ-C-530.
 LOCKWASHER- PHOSPHOR BRONZE, QQ-B-750
 INSULATOR-TEFLON, L-P-403.
 ALL OTHER METAL PARTS- BRASS, QQ-B-626.
2. FINISHES:
 BNC CONTACT F- GOLD PLATE PER MIL-G-45204.
 ALL OTHER METAL PARTS - KINGS TARNISH
 RESISTANT FINISH (TR-5).
3. ELECTRICAL CHARACTERISTICS:
 VOLTAGE RATING - 500 VOLTS RMS.
 NOMINAL IMPEDANCE - 50Ω
 FREQUENCY RANGE - DC TO 4GHz.

GSD

KC-79-196

REVISIONS

ISSUE	CHANGES
1	CN 19260 C PAS 13 APR 81

GSD

SCALE 4:1	
APPROX. SURFACE AREA	
USED ON	
REF.	
BNC RECEPTACLE	
DRAWN AMD	DATE 3 SEP 87
APPR. MJB	DATE 4 SEP 87
APPR.	DATE

KINGS
ELECTRONICS CO., INC.
TUCKAHOE, NEW YORK 10701

GSD

KC-79-196

UNLESS OTHERWISE SPECIFIED:

- | | |
|--|--|
| 1. TOLERANCES: FRACTIONS & 2 PLACE DECIMALS ± .010 | 2. REMOVE ALL BURRS, BREAK SHARP EDGES .005 MAX. |
| 3 PLACE DECIMALS ± .004 | 3. NO FILLETS PERMITTED. |
| ANGLES ± 0°30' | 4. SURFACE ROUGHNESS 63 MICROINCHES RMS MAX. |
| T. I. R. CONCENTRICITY OF ANY 2 DIAMETERS MAY NOT EXCEED HALF THE SUM OF THEIR TOLERANCES. | 5. ALL DIMENSIONS PRIOR TO PLATING. |
| | 6. ALL PLATING IN ACCORDANCE WITH KER 10004. |