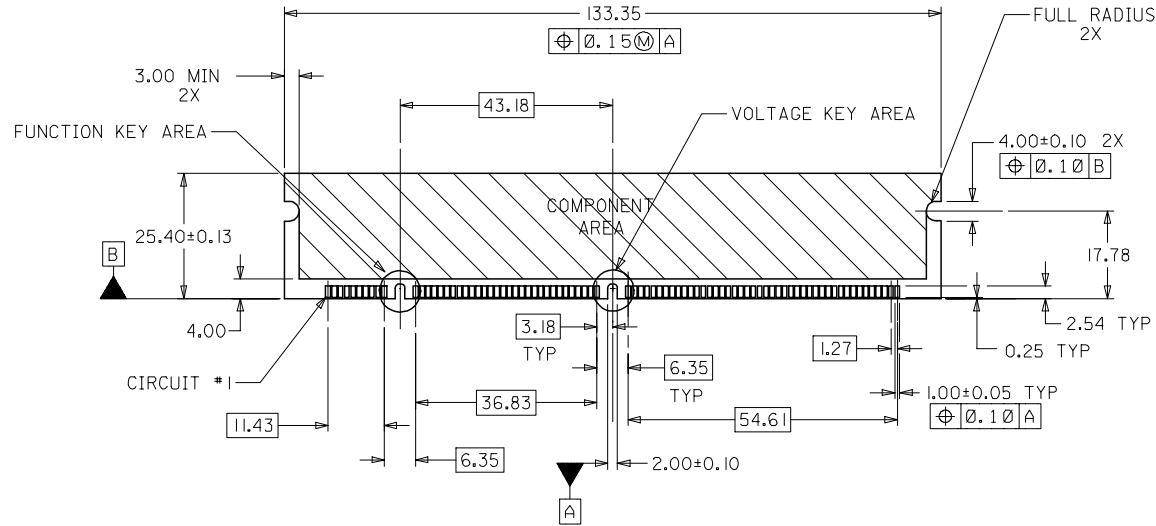


NOTES:

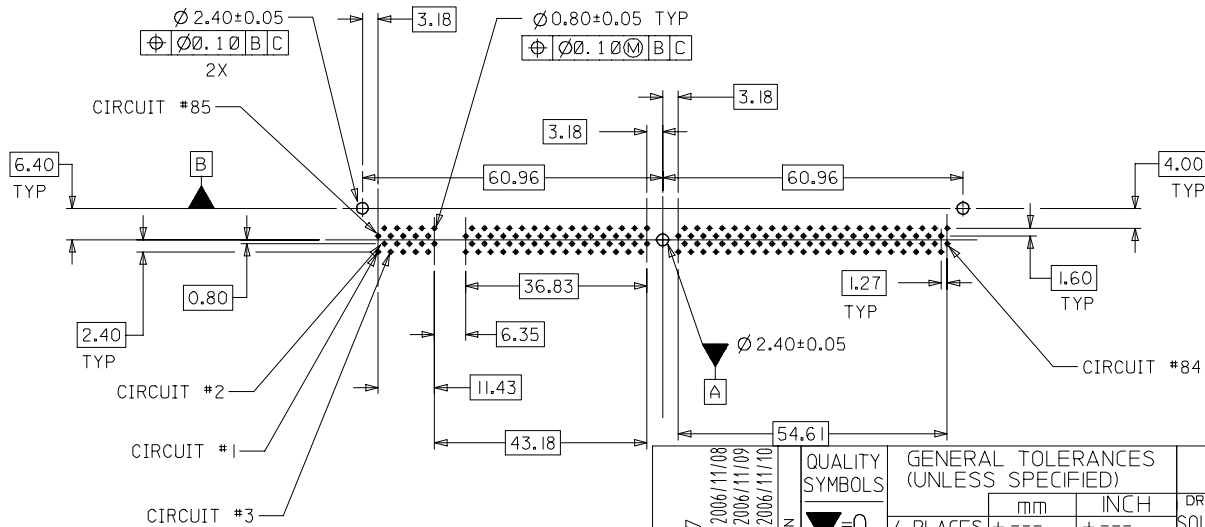
1. PRODUCT SPEC PS-87609-002 APPLIES.
2. PRODUCT IS PACKAGED IN TRAYS.
3. MATERIALS:  
HOUSING, COVER & BASEPLATE - LCP, GLASS FILLED, UL 94V-0, COLOR: BLACK  
TERMINAL - PHOSPHOR BRONZE  
LATCHES - HIGH-TEMP NYLON, GLASS FILLED, UL 94V-0, COLOR: BEIGE  
FORCKLOCKS - COPPER ALLOY OR STEEL ALLOY
4. PLATING:  
CONTACT AREA:  
SEE TABLE ON SHEET 3 OF 3  
FOR GOLD PLATING OPTION AT CONTACT AREA  
SOLDER TAIL: 75µIN./(1.91µM) MIN. TIN  
UNDERPLATE: 50µIN./(1.27µM) MIN. NICKEL

VOID P/N EC NO: S2007-0207 DRWNS:KANG 2006/11/08 CHKD:M LONG 2006/11/09 APPR:SKTOH 2006/11/10	DESCRIPTION QUALITY SYMBOLS ▽=0 ▽=0	GENERAL TOLERANCES (UNLESS SPECIFIED)		DIMENSION STYLE MM ONLY		SCALE NTS	DESIGN UNITS METRIC	THIRD ANGLE PROJECTION		
			mm	INCH	DRAWN BY SQUEK	DATE 2000/01/21	TITLE DDR DIMM, 1.27MM PITCH 168 CKTS, R/A			
		4 PLACES	± ---	± ---	CHECKED BY KCLING	DATE 2000/03/01				
		3 PLACES	± ---	± ---	APPROVED BY SKTOH	DATE 2000/03/03	MOLEX INCORPORATED DOCUMENT NO. SD-87609-001 SHEET NO. 1 OF 3			
2 PLACES	± 0.25	± ---	MATERIAL NO.							
1 PLACE	± ---	± ---	DRAFT WHERE APPLICABLE MUST REMAIN WITHIN DIMENSIONS		SEE TABLE					
		ANGULAR ± 5 °		SIZE A3		THIS DRAWING CONTAINS INFORMATION THAT IS PROPRIETARY TO MOLEX INCORPORATED AND SHOULD NOT BE USED WITHOUT WRITTEN PERMISSION				

10 9 8 7 6 5 4 3 2 1

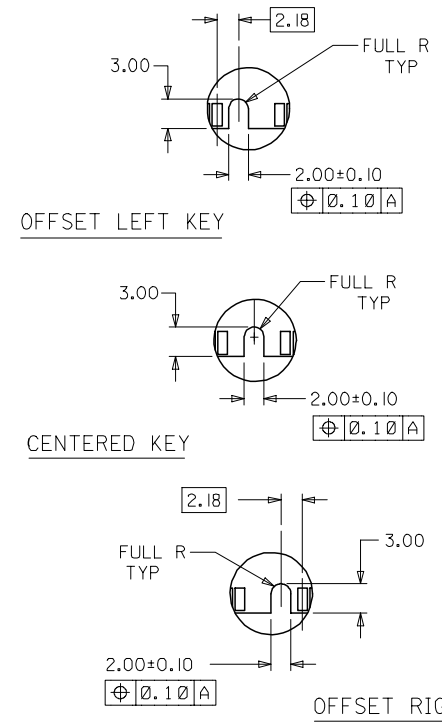


RECOMMENDED MODULE LAYOUT  
(PER JEDEC STANDARD MO-161, I68 CKT. 3.3V)



RECOMMENDED  
P.C. BOARD HOLE PATTERN  
(CONNECTOR SIDE)

FUNCTION KEY AREA OPTIONS  
(REFER ALSO TO TABLE ON SHT. 3)



NOTES:

1. STRAIGHTNESS OF MODULE APPLIES TO THE AREA FROM THE BOTTOM OF THE CARD UP 4.00(157)
2. RECOMMENDED PLATING ON MODULE PADS: 0.76 MICROMETER(30 MICROINCH) MINIMUM HARD GOLD OVER 2.0 MICROMETER(79 MICROINCH) MINIMUM NICKEL.

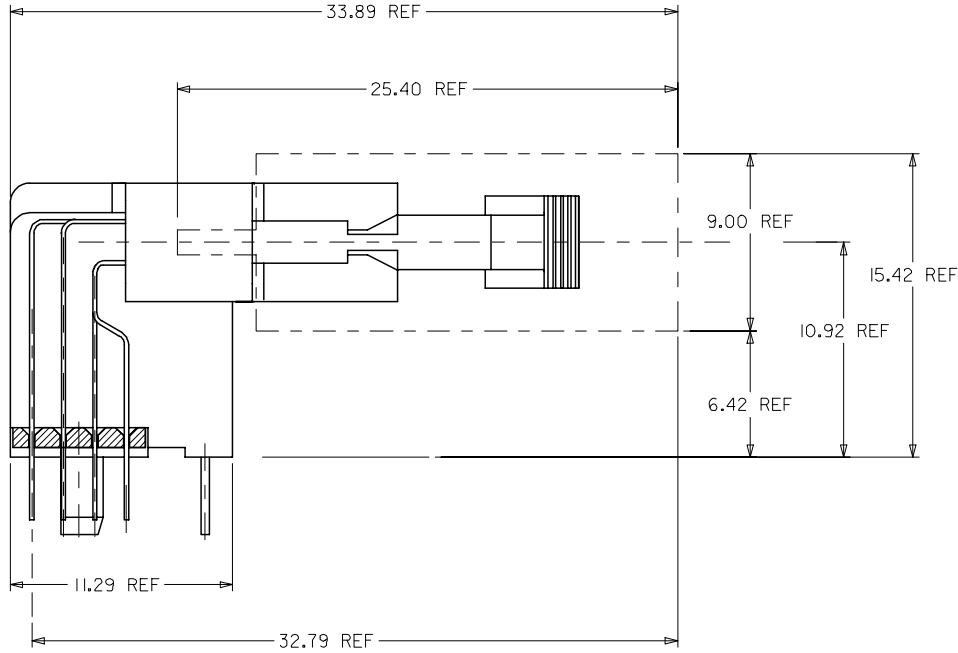
VOID P/N	2006/11/08	QUALITY SYMBOLS
EC NO: S2007-0207	2006/11/09	▽=0
DRWNS:KANG	2006/11/10	▽C=0
CHKD:M LONG		
APPR:SKTOH		
REV	DESCRIPTION	

GENERAL TOLERANCES (UNLESS SPECIFIED)	
mm	INCH
4 PLACES	± --- ± ---
3 PLACES	± --- ± ---
2 PLACES	± 0.25 ± ---
1 PLACE	± --- ± ---
ANGULAR ± 5 °	
DRAFT WHERE APPLICABLE MUST REMAIN WITHIN DIMENSIONS	

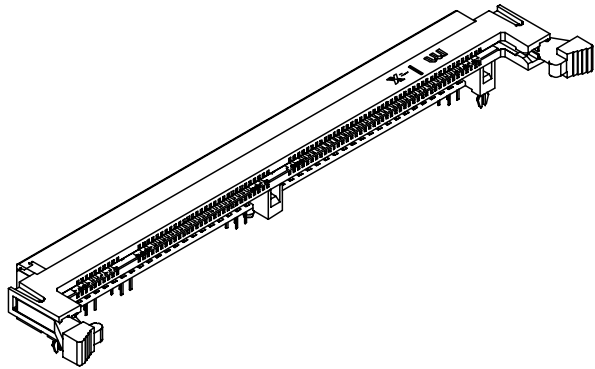
DIMENSION STYLE	
MM ONLY	
DRAWN BY	DATE
SQUEK	2000/01/21
CHECKED BY	DATE
KCLING	2000/03/01
APPROVED BY	DATE
SKTOH	2000/03/03
MATERIAL NO.	
SEE TABLE	

SCALE	DESIGN UNITS	THIRD ANGLE PROJECTION
NTS	METRIC	
TITLE		
DDR DIMM, 1.27MM PITCH		
168 CKTS, R/A		
MOLEX INCORPORATED		
DOCUMENT NO.	SHEET NO.	
SD-87609-001	2 OF 3	

9 8 7 6 5 4 3 2 1



ACTUAL MODULE HEIGHT AND CLEARANCE  
WHEN USING A 9.00MM THICK BY 25.40MM HEIGHT  
MODULE (TYPICAL SOJ PACKAGING).



PART NUMBER	FUNCTION KEY	GOLD PLATING OPTION AT CONTACT AREA	DATUM VOLTAGE KEY	TAIL LENGTH P±0.25	RECOMMENDED PCB THICKNESS
87609-0051	LEFT	15µN/(0.38µM) MIN.	CENTER (3.3V)	2.79	1.57
87609-0052	CENTRE				
87609-0053	RIGHT				
87609-0151	LEFT	30µN/(0.76µM) MIN.	CENTER (3.3V)	3.18	2.36
87609-0152	CENTRE				
87609-0153	RIGHT				
87609-0061	CENTRE	15µN/(0.38µM) MIN.	CENTER (3.3V)	3.56	2.79
87609-0062	RIGHT				
87609-0162	RIGHT	30µN/(0.76µM) MIN.			
87609-0069	LEFT	15µN/(0.38µM) MIN.	CENTER (3.3V)	3.56	2.79
87609-0070	CENTRE				
87609-0071	RIGHT				
87609-0171	RIGHT	30µN/(0.76µM) MIN.			

VOID P/N EC NO: S2007-0207 DRWNS:KANG CHKD:M.LONG APPR:SKTOH	DESCRIPTION 2006/11/08 2006/11/09 2006/11/10	QUALITY SYMBOLS	GENERAL TOLERANCES (UNLESS SPECIFIED)	DIMENSION STYLE	SCALE	DESIGN UNITS	THIRD ANGLE PROJECTION	
		$\nabla=0$ $\sphericalangle=0$	mm    INCH 4 PLACES ± --- ± --- 3 PLACES ± --- ± --- 2 PLACES ± 0.25 ± --- 1 PLACE ± --- ± --- ANGULAR ± 5 °	MM ONLY	NTS	METRIC		
			DRAFT WHERE APPLICABLE MUST REMAIN WITHIN DIMENSIONS	SEE TABLE	DRAWN BY: SQUEK    DATE: 2000/01/21 CHECKED BY:    DATE: APPROVED BY: KCLING    DATE: 2000/03/01 SKTOH    DATE: 2000/03/03		TITLE: DDR DIMM, 1.27MM PITCH 168 CKTS, R/A MOLEX INCORPORATED	
					MATERIAL NO. SIZE: A3 THIS DRAWING CONTAINS INFORMATION THAT IS PROPRIETARY TO MOLEX INCORPORATED AND SHOULD NOT BE USED WITHOUT WRITTEN PERMISSION	DOCUMENT NO. SD-87609-001	SHEET NO. 3 OF 3	