

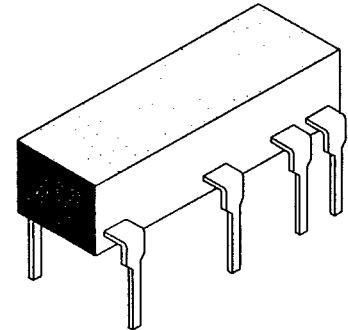
AKA-SERIES

T-47-13

**HIGH PERFORMANCE, LOW PROFILE
AUTO-INSERTABLE 14 PIN, 5 TAP TTL ACTIVES**

POLARA

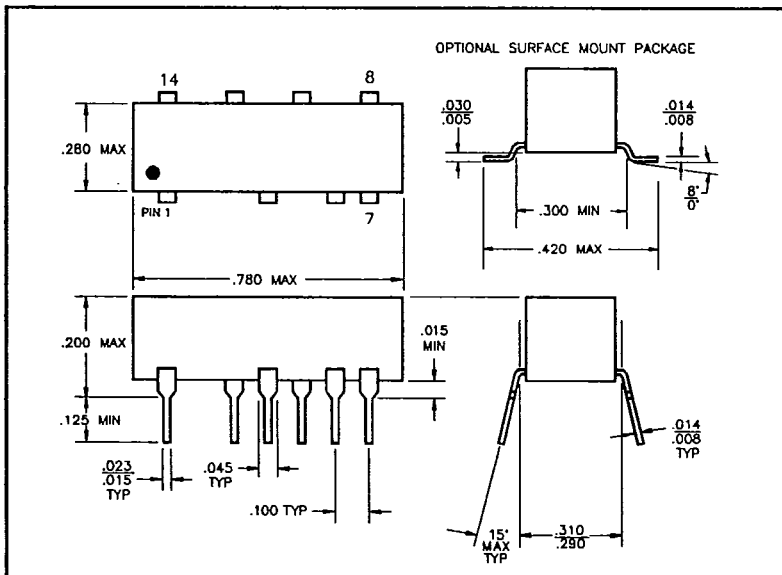
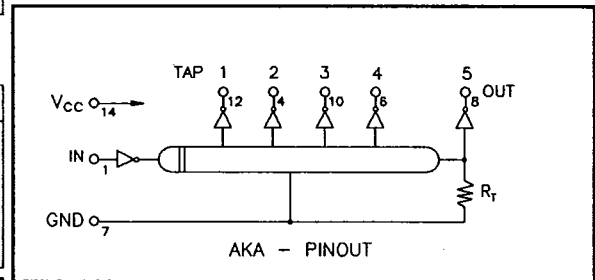
DC Electrical Characteristics		Test Conditions	Min	Max	Unit
V _{OH}	High-Level Output Voltage	V _{CC} =min. V _{IL} =max. I _{OH} =max	2.7		V
V _{OL}	Low Level Output Voltage	V _{CC} =min. V _{IH} =min. I _{OL} =max		0.5	V
V _{IK}	Input Clamp Voltage	V _{CC} =min. I _I =I _{IK}		-1.2	V
I _{IH}	High-Level Input Current	V _{CC} =max. V _{IN} =2.7V		50	uA
I _{IL}	Low-Level Input Current	V _{CC} =max. V _{IN} =5.25V		1.0	mA
I _{OS}	Short Circuit Output Current	V _{CC} =max. V _{IN} =0.5V		-2	mA
IC _{CH}	High-Level Supply Current	V _{CC} =max. V _{OUT} =0 (One output at a time)		75	mA
IC _{CL}	Low-Level Supply Current	V _{CC} =max. V _{IN} =OPEN		75	mA
T _{PO}	Output Rise Time	V _{CC} =max. V _{OUT} =0 T _d ≤ 500ns (0.75 to 2.4 Volts) T _d > 500ns		4	ns
N _H	Fanout High-Level Output	V _{CC} =max. V _{OH} =2.7V		20 TTL LOAD	
N _L	Fanout Low-Level Output	V _{CC} =max. V _{OH} =0.5V		10 TTL LOAD	



Recommended Operating Conditions		Min	Max	Unit
V _{CC}	Supply Voltage	4.75	5.25	V
V _{IH}	High-level Input voltage	2.0		V
V _{IL}	Low-Level Input Voltage		0.8	V
I _{IK}	Input Clamp Current		-18	mA
I _{OH}	High-Level Output Current		-1.0	mA
I _{OL}	Low-Level Output Current		20	mA
PW*	Pulse Width of Total Delay	20		%
d*	Duty Cycle		40	%
T _A	Operating Free-Air Temperature	0	+70	°C

*These two values are inter-dependent Min. PW for Total Delays greater than 250 ns is 40%

Input Pulse Test Conditions @ 25°C		Unit
E _{IN}	Pulse Input Voltage	3.2 Volts
PW	Pulse Width % of Total Delay	110 %
T _{RI}	Pulse Rise Time(0.75 - 2.4 Volts)	2.0 ns
P _{RR}	Pulse Repetition Rate @ T _d ≤ 500ns	1.0 MHz
	Pulse Repetition Rate @ T _d > 500 ns	500 KHz
V _{CC}	Supply Voltage	5.0 Volts



TOTAL DELAY ± 2 ns OR 5%	TAP DELAYS ± 2 ns OR 5%	POLARA P/N AKA - PINOUT
25	5	AKA-0025
30	6	AKA-0030
40	8	AKA-0040
50	10	AKA-0050
60	12	AKA-0060
75	15	AKA-0075
100	20	AKA-0100
125	25	AKA-0125
150	30	AKA-0150
175	35	AKA-0175
200	40	AKA-0200
225	45	AKA-0225
250	50	AKA-0250
300	60	AKA-0300
350	70	AKA-0350
400	80	AKA-0400
450	90	AKA-0450
500	100	AKA-0500
600	120	AKA-0600
700	140	AKA-0700
800	160	AKA-0800
900	180	AKA-0900
1000	200	AKA-1000

ADD "-S" SUFFIX TO P/N, TO ORDER SURFACE MOUNT PACKAGE.

DELAYS TIMES REFERENCED FROM INPUT.

*FOR DELAYS ABOVE 250 NS, HEIGHT IS .250 MAX.