



**ISSUED DATE : 2008-09-02**

**SAMSUNG TFT-LCD PRODUCT INFORMATION**

**MODEL : LTM185AT01**

Note : This is Product Information is subject to change after 3 months of issuing date.

Application Engineering Part 1, HD LCD Division

Samsung Electronics Co . , LTD.



SAMSUNG TFT-LCD

MODEL

LTM185AT01

Page

1/31

**Contents**

General Description ----- (3)

1. Absolute Maximum Ratings ----- (4)

2. Optical Characteristics ----- (6)

3. Electrical Characteristics ----- (11)

    3.1 TFT LCD Module

    3.2 Back Light Unit

4. Block Diagram ----- (16)

    4.1 TFT LCD Module

    4.2 Back Light Unit

5. Input Terminal Pin Assignment ----- (17)

    5.1 Input Signal & Power

    5.2 LVDS Interface

    5.3 Back Light Unit

    5.4 Input Signals, Basic Display Colors and Gray Scale of Each Color

6. Interface Timing ----- (23)

    6.1 Timing Parameters (DE only mode)

    6.2 Timing Diagrams of interface Signal (DE only mode)

    6.3 Power ON/OFF Sequence

    6.4 LVDS Input Characteristics

    6.5 VDD Power Dip Condition

7. Outline Dimension ----- (27)

8. General Precaution ----- (29)

    8.1 Handling

    8.2 Storage

    8.3 Operation

    8.4 Others

## General Description

### Description

LTM185AT01 product is a color active matrix liquid crystal display (LCD) that uses amorphous silicon TFT (Thin Film Transistor) as switching components. This model is composed of a TFT LCD panel, a driver circuit and a back light unit. The resolution of a 18.5" is 1366 X 768 and this model can display up to 16.7 millions colors.

### Features

- High contrast ratio, high aperture structure
- TN (Twisted Nematic) mode
- Wide Viewing Angle
- High speed response
- HD (1366 x 768 pixels) resolution
- Low power consumption
- 2 CCFLs (Cold Cathode Fluorescent Lamp)
- DE (Data Enable) only mode
- LVDS (Low Voltage Differential Signaling) interface (1pixel/clock)
- Compact Size Design
- RoHS compliance
- TCO'03 compliance

### Applications

- Workstation & desktop monitors
- Display terminals for AV application products
- Monitors for industrial machine

\* If the module is used to other applications besides the above, please contact SEC in advance.

## General Information

Items	Specification	Unit	Note
Pixel Pitch	0.300(H) x 0.300(W)	mm	
Active Display Area	409.8(H) x 230.4(V)	mm	
Surface Treatment	Haze 25%, Hard-coating(3H)		
Display Colors	16.7M ( 6bit Hi-FRC )	colors	
Number of Pixels	1366 x 768	pixel	
Pixel Arrangement	RGB vertical stripe		
Display Mode	Normally White		
Power Consumption	TBD		
Luminance of White	250(Typ.)	cd/m <sup>2</sup>	

## Mechanical Information

Item		Min.	Typ.	Max.	Unit	Note
Module size	Horizontal (H)	-	430.37	-	mm	w/o inverter ass'y
	Vertical (V)	-	254.6	-	mm	
	Depth (D)	-	-	17.0	mm	
Weight		-	-	TBD	g	LCD module only

Note (1) Mechanical tolerance is  $\pm 0.5\text{mm}$  unless there is a special comment.

## 1. Absolute Maximum Ratings

If the condition exceeds maximum ratings, it can cause malfunction or unrecoverable damage to the device.

Item	Symbol	Min.	Max.	Unit	Note
Power Supply Voltage	$V_{DD}$	GND-0.5	6.5	V	(1)
Storage temperature	$T_{STG}$	-25	60	$^{\circ}\text{C}$	(2)
Glass surface temperature (Operation)	$T_{OPR}$	0	50	$^{\circ}\text{C}$	(2)
Shock ( non - operating )	$S_{nop}$	-	50	G	(3)
Vibration ( non - operating )	$V_{nop}$	-	1.5	G	(4)

Note (1)  $T_a = 25 \pm 2^{\circ}\text{C}$

- (2) Temperature and relative humidity range are shown in the figure below.
  - a. 90 % RH Max. ( $T_a \leq 39\text{ }^\circ\text{C}$ )
  - b. Maximum wet-bulb temperature at  $39\text{ }^\circ\text{C}$  or less. ( $T_a \leq 39\text{ }^\circ\text{C}$ )
  - c. No condensation
- (3) 11ms, sine wave, one time for  $\pm X, \pm Y, \pm Z$  axis
- (4) 10-300 Hz, Sweep rate 10min, 30min for X,Y,Z axis

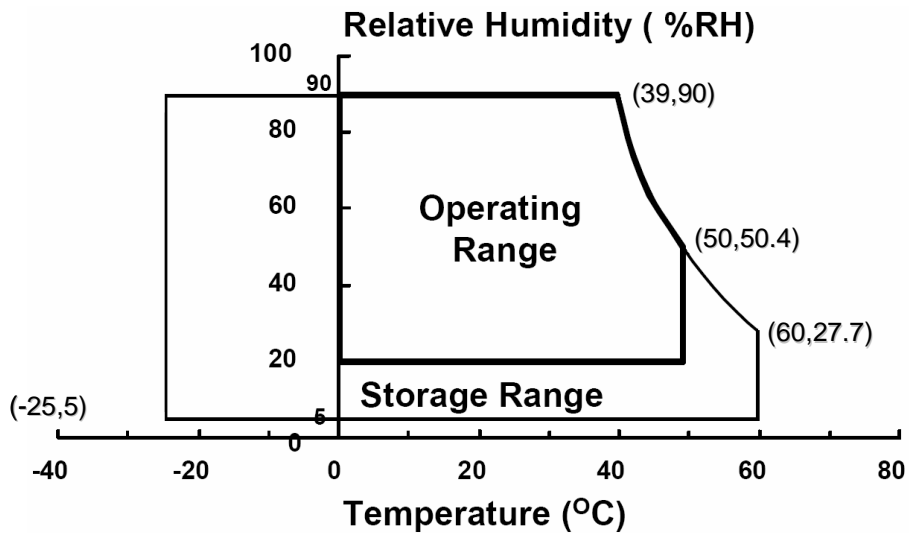


Fig. Temperature and Relative humidity range

## 2. Optical Characteristics

The optical characteristics should be measured in a dark room or equivalent.

Measuring equipment : SR-3, RD-80S (TOPCON), EZ-Contrast (Eldim)

(Ta = 25 ± 2°C, VDD=5V, fv= 60Hz, fDCLK=85.8MHz, IL = 7.5mArms)

Item		Symbol	Condition	Min.	Typ.	Max.	Unit	Note				
Contrast Ratio (Center of screen)		C/R		-	1000	-		(3) SR-3				
Response Time	On/Off	Tr+ Tf		-	5	10	msec	(5) RD-850S				
Luminance of White (Center of screen)		Y <sub>L</sub>		-	300	-	cd/m <sup>2</sup>	(6) SR-3				
Color Chromaticity (CIE 1931)	Red	Rx	Normal $\theta_{L,R}=0$ $\theta_{U,D}=0$  Viewing Angle	-	(0.650)	-						
		Ry			(0.335)							
	Green	Gx			(0.295)							
		Gy			(0.605)							
	Blue	Bx			(0.145)							
		By			(0.075)							
	White	Wx			0.313							
		Wy			0.329				(7),(8)			
Color Chromaticity (CIE 1976)	Red	Ru'			-				TBD	-		SR-3
		Rv'			-				TBD	-		
	Green	Gu'	-	TBD	-							
		Gv'	-	TBD	-							
	Blue	Bu'	-	TBD	-							
		Bv'	-	TBD	-							
	White	Wu'	-	0.198	-							
		Wv'	-	0.468	-							
C.G.L	White	$\Delta u'v'$	-	0.011	0.02		(9)					

\* C.G.L : Color Grayscale Linearity

(continue to the next page)

# PRODUCT INFORMATION

Item	Symbol	Condition	Min.	Typ.	Max.	Unit	Note	
Color Gamut	-		-	72	-	%		
Color Temperature	-		-	6500	-	K		
Viewing Angle	Hor.	$\theta_L$	CR $\geq$ 10	70	80	-	Degrees	(8) EZ-Contrast
		$\theta_R$		70	80	-		
	Ver.	$\theta_U$		70	80	-		
		$\theta_D$		70	80	-		
Brightness Uniformity (9 Points)	B <sub>uni</sub>		-	-	25	%	(4) SR-3	

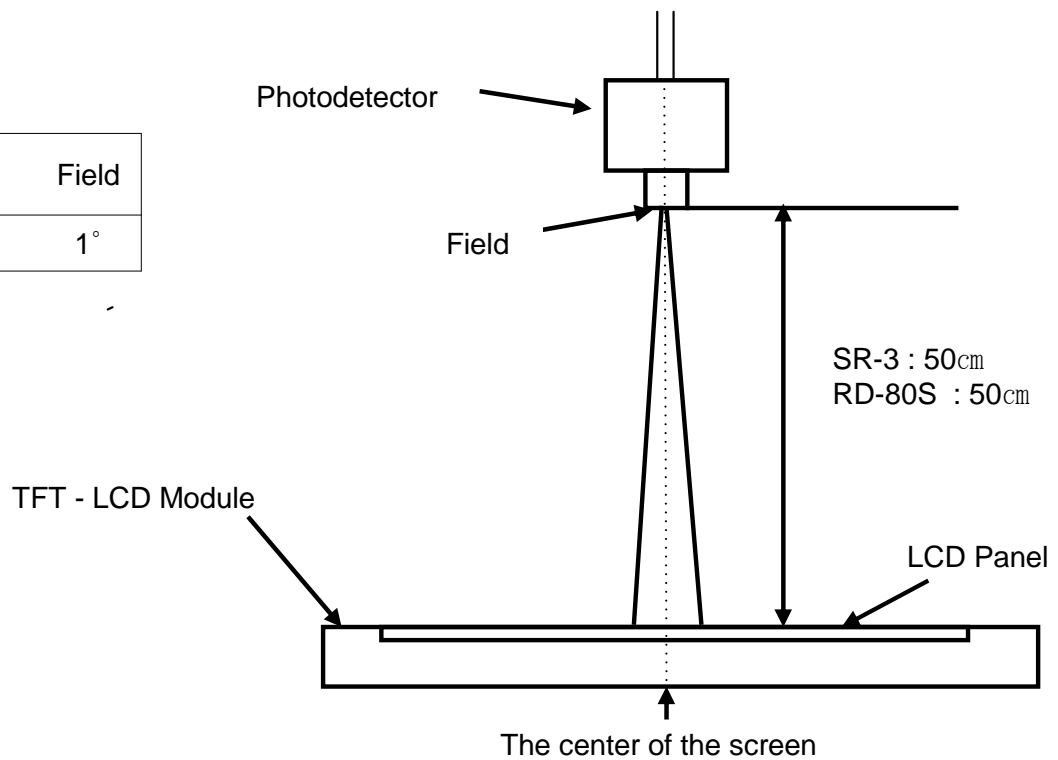
### Note (1) Test Equipment Setup

The measurement should be executed in a stable, windless and dark room between 30min after lighting the back light at the given temperature for stabilization of the back light. This should be measured in the center of screen.

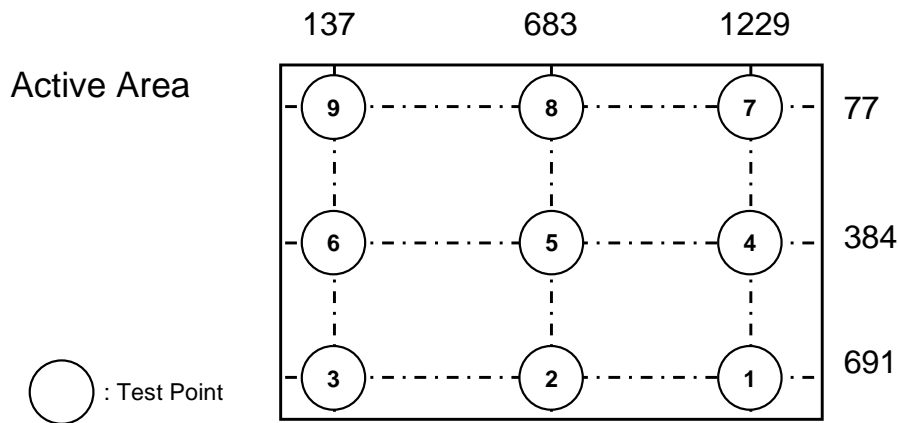
Single lamp current : 7.5mA

Environment condition : Ta = 25 ± 2 °C

Photodetector	Field
SR-3	1°



Note (2) Definition of test point



Note (3) Definition of Contrast Ratio (C/R)

: Ratio of gray max (Gmax) & gray min (Gmin) at the center point⑤ of the panel

$$CR = \frac{G \max}{G \min}$$

Gmax : Luminance with all pixels white

Gmin : Luminance with all pixels black

Note (4) Definition of 9 points brightness uniformity

$$Buni = 100 \times \frac{(B \max - B \min)}{B \max}$$

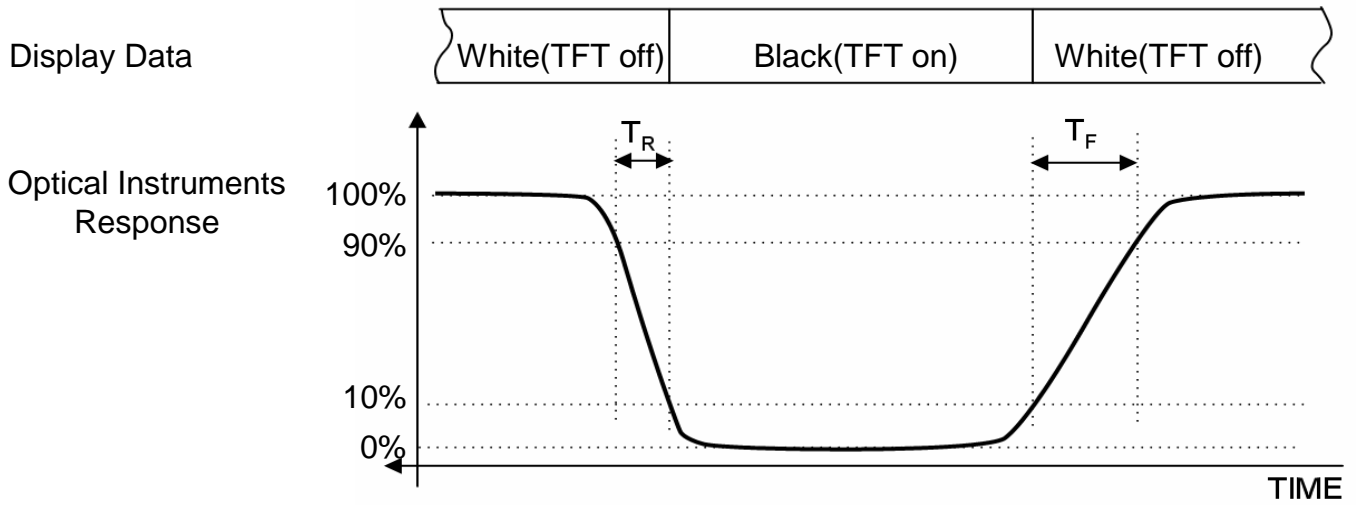
Bmax : Maximum brightness

Bmin : Minimum brightness



Note (5) Definition of Response time

a. On/Off response time : Sum of  $T_r$ ,  $T_f$



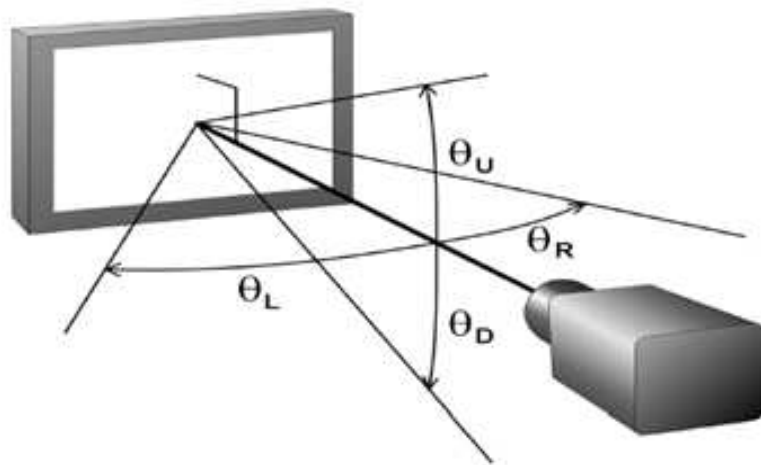
Note (6) Definition of Luminance of White : Luminance of white at center point⑤

Note (7) Definition of Color Chromaticity (CIE 1931, CIE1976)

Color coordinate of Red, Green, Blue & White at center point⑤

Note (8) Definition of Viewing Angle

: Viewing angle range ( $CR \geq 10$ )



Note (9) Color Grayscale Linearity

a. Test image : 100% full white pattern with a test pattern as below

b. Test pattern : Squares, 40mm by 40mm in size, filled with 255, 225, 195, 165, 135 and 105 grays steps should be arranged at the center⑤ of the screen.



c. Test method

-1<sup>st</sup> gray step : move a square of 255 gray level should be moved into the center of the screen and measure luminance and  $u'$  and  $v'$  coordinates.

- Next gray step : Move a 225 gray square into the center and measure both luminance and coordinates, too.

d. Test evaluation

$$\Delta u' v' = \sqrt{(u'_A - u'_B)^2 + (v'_A - v'_B)^2}$$

Where A, B : 2 gray levels found to have the largest color differences between them

i.e. get the largest  $\Delta u'$  and  $\Delta v'$  of each 6 pair of  $u'$  and  $v'$  and calculate the  $\Delta u'v'$ .

### 3. Electrical Characteristics

#### 3.1 TFT LCD Module

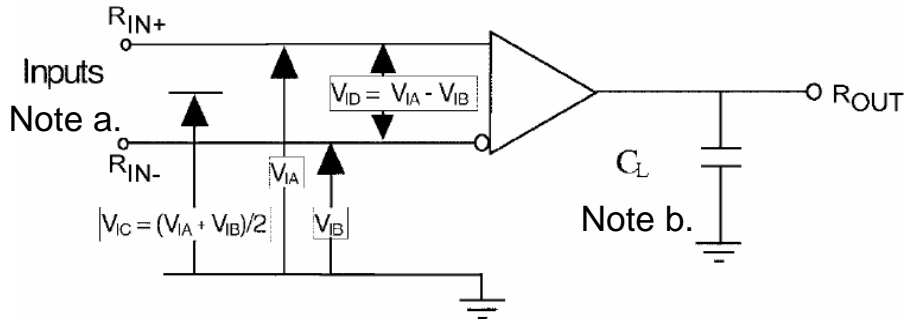
The connector for display data & timing signal should be connected.

Ta = 25°C

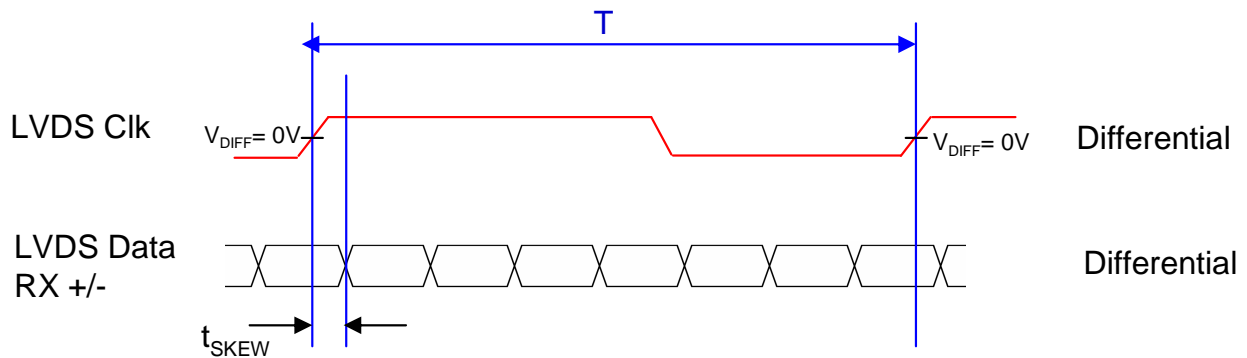
Item	Symbol	Min.	Typ.	Max.	Unit	Note	
Voltage of Power Supply	$V_{DD}$	4.5	5.0	5.5	V	(1)	
LVDS Input Characteristics	Differential Input Voltage for LVDS Receiver Threshold	High	-	-	+100	mV	(2)
		Low	-100	-	-	mV	
	LVDS skew	$t_{SKEW}$	-300		300		(3)
	Differential input voltage	$ V_{ID} $	200		600	mV	(4)
	Input voltage range (single-ended)	$V_{IN}$	0		2.4	V	(4)
	Common mode voltage	$V_{CM}$	0+ $ V_{ID} /2$	1.2	2.4- $ V_{ID} /2$	V	(4)
Current of Power Supply	(a) Black	$I_{DD}$	-	TBD	-	mA	(5),(6)
	(b) White		-	TBD	-	mA	
	(c) Dot		-	TBD	TDB	mA	
Vsync Frequency	$f_V$	50	60	76	Hz		
Hsync Frequency	$f_H$	39.9	47.9	60.6	kHz		
Main Frequency	$f_{DCLK}$	71.4	85.8	108.8	MHz		
Rush Current	$I_{RUSH}$	-	-	3	A	(7)	

Note (1) The ripple voltage should be controlled under 10% of  $V_{DD}$ .

- (2) Differential receiver voltage definitions and propagation delay and transition time test circuit  
 a. All input pulses have frequency = 10MHz,  $t_R$  or  $t_F=1ns$   
 b.  $C_L$  includes all probe and fixture capacitance

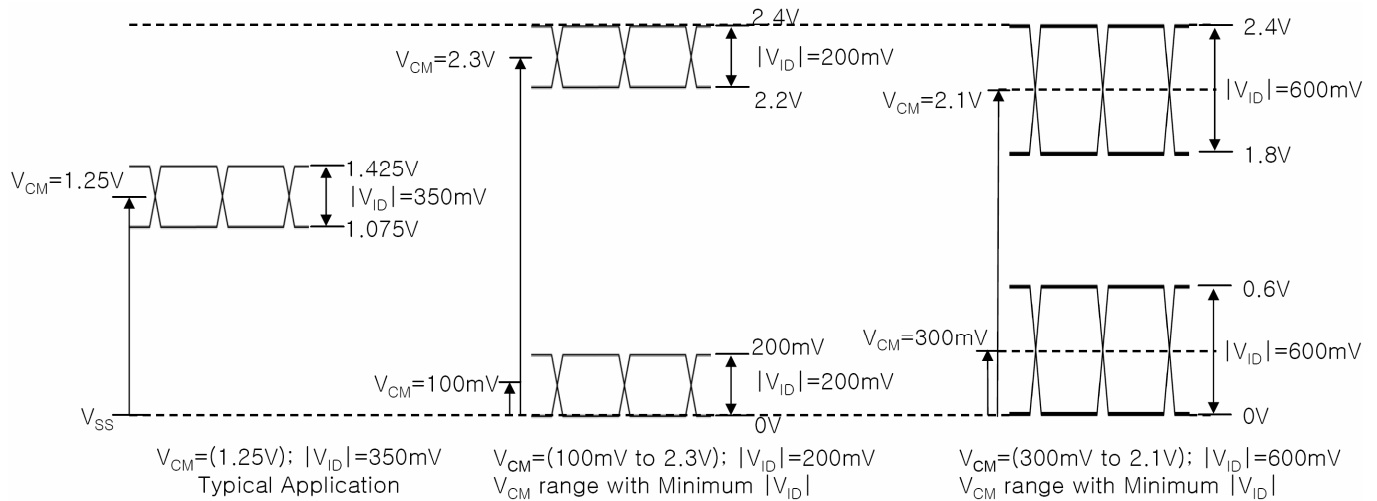


- (3) LVDS Receiver DC parameters are measured under static and steady conditions which may not be reflective of its performance in the end application.



where  $t_{skew}$  : skew between LVDS clock & LVDS data,  
 $T$  : 1 period time of LVDS clock  
 cf) (-/+) of 300psec means LVDS data goes before or after LVDS clock.

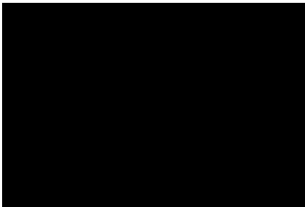
(4) Definition of  $V_{ID}$  and  $V_{CM}$  using single-end signals



(5)  $f_V=60\text{Hz}$ ,  $f_{\text{DCLK}} = 85.8\text{MHz}$ ,  $V_{\text{DD}} = 5.0\text{V}$ , DC Current.

(6) Power dissipation check pattern (LCD Module only)

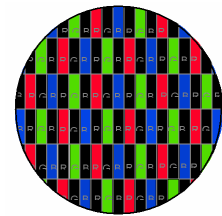
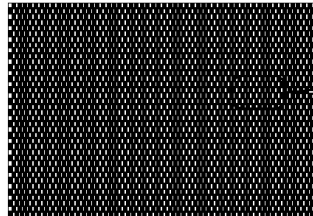
a) Black Pattern



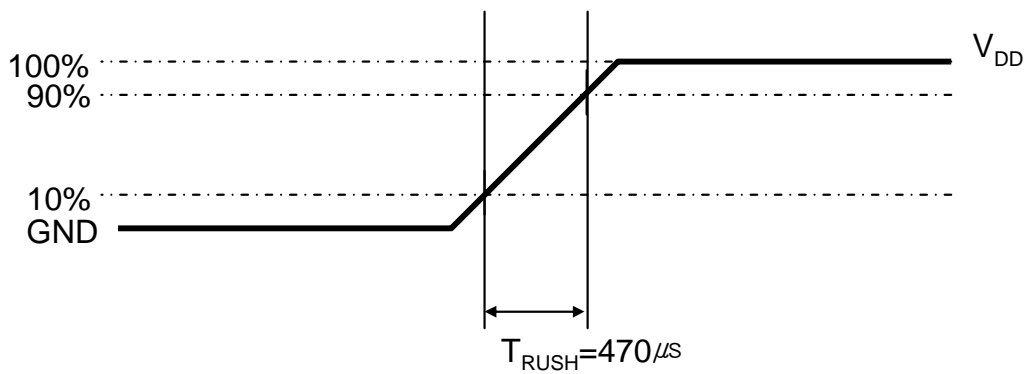
b) White Pattern



c) Dot Pattern



(7) Measurement Condition



Rush Current  $I_{\text{RUSH}}$  can be measured when  $T_{\text{RUSH}}$  is  $470\mu\text{s}$ .

### 3.2 Back Light Unit

The back light unit is an edge type with 2 CCFLs( Cold Cathode Fluorescent Lamp).  
The characteristics of those lamps are shown in the following table.

Ta=25 ± 2°C

Item	Symbol	Min.	Typ.	Max.	Unit	Note	
Lamp Current	$I_L$	(3.0)	7.5	(8.0)	mArms	(1)	
Lamp Voltage	$V_L$	-	700	-	Vrms		
Lamp Frequency	$f_L$	(45)	-	(60)	kHz	(2)	
Operating Life Time	Hr	50,000	-	-	Hour	(3)	
Inverter waveform	Asymmetry rate	Wasy	-	-	10	%	(4)
	Distortion rate	Wdis	1.2726	1.414	1.5554		
Startup Voltage	$V_s$	-	-	0°C : (1,480)	Vrms	(5)	
				25°C : (1,170)			

Note (1) Specified values are for a single lamp.

Lamp current is measured with current meter for high frequency as shown below.  
Refer to the following block diagram of the back light unit for more information.

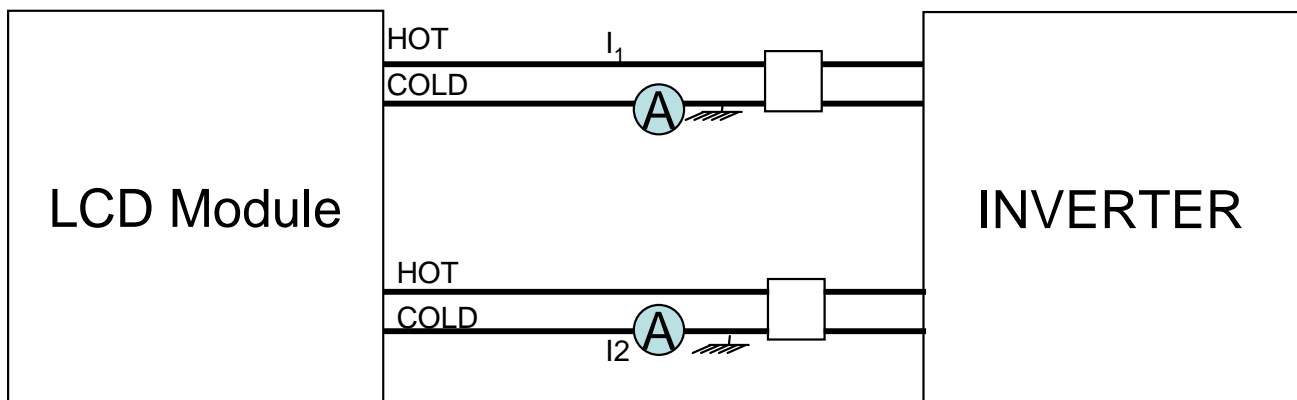


Fig. Measurement point of Lamp Current

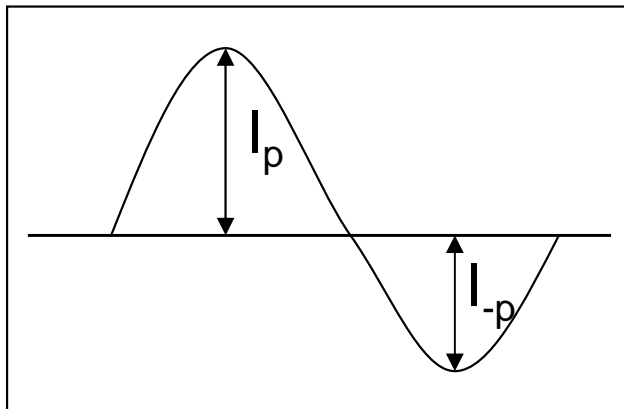
(2) Lamp frequency which may produce interference with horizontal synchronous frequency may cause line flow on the display. Therefore lamp frequency should be detached from the horizontal synchronous frequency and its harmonics as far as possible in order to avoid interference.

(3) Life time (Hr) is defined as the time when brightness of a lamp unit itself becomes 50% or less than its original value at the condition of  $T_a = 25 \pm 2^\circ\text{C}$  and  $I_L = 7.5\text{mA}_{rms}$

(4) Designing a system inverter intended to have better display performance, power efficiency and lamp reliability.

They would help increase the lamp lifetime and reduce leakage current.

- a. The measurement should be done at typical lamp current.
- b. The asymmetry rate of the inverter waveform should be less than 10%.
- c. The distortion rate of the waveform should be  $\sqrt{2}$  with  $\pm 10\%$  tolerance.
  - Inverter output waveform had better be more similar to ideal sine wave.



**Fig. Wave form of the inverter**

- Asymmetry rate

$$\frac{|I_p - I_{-p}|}{I_{rms}} \times 100$$

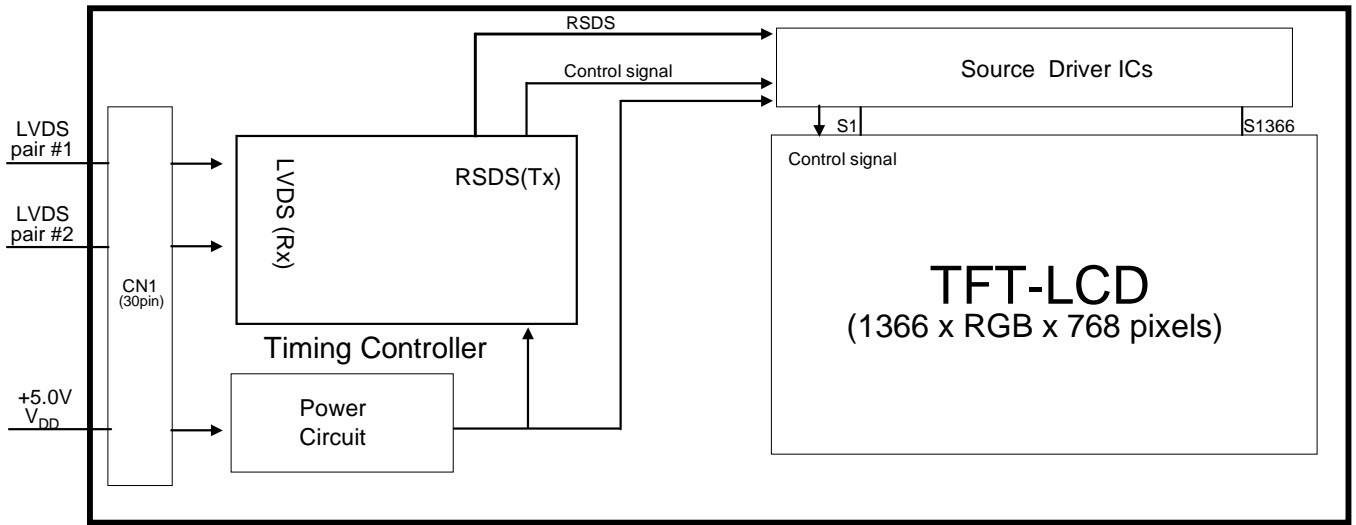
- Distortion rate

$$\left| \frac{I_p}{I_{rms}} \right| \text{ or } \left| \frac{I_{-p}}{I_{rms}} \right|$$

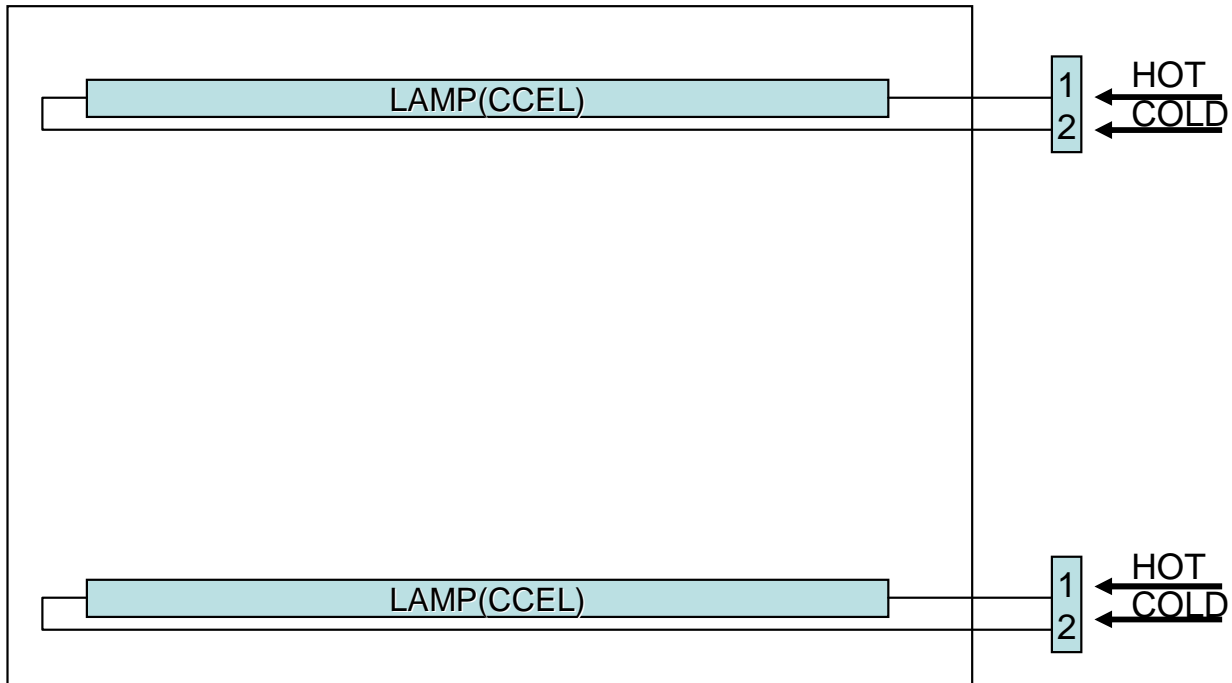
(5) If an inverter has shutdown function, it should keep its output for over 1 second even if the lamp connector is open. Otherwise the lamps may not be turned on.

## 4. BLOCK DIAGRAM

### 4.1 TFT LCD Module



### 4.2 Back Light Unit





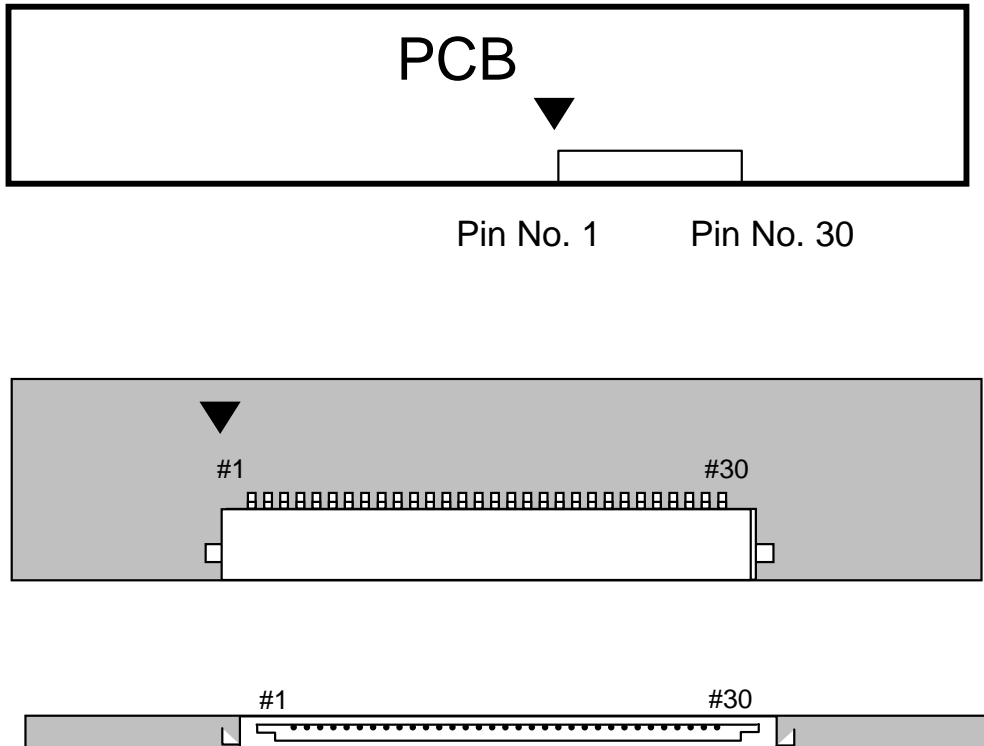
## 5. Input Terminal Pin Assignment

### 5.1. Input Signal & Power ( Connector : P-TWO 187034-30091 or equivalent )

PIN NO	SYMBOL	FUNCTION
1	CTL	No Connection (for DVR : CTL)
2	CE	No Connection (for DVR : CE)
3	NC	No Connection
4	GND	Power Ground
5	RXIN0-	Negative LVDS Differential Data Input (0)
6	RXIN0+	Positive LVDS Differential Data Input (0)
7	GND	Power Ground
8	RXIN1-	Negative LVDS Differential Data Input (1)
9	RXIN1+	Positive LVDS Differential Data Input (1)
10	GND	Power Ground
11	RXIN2-	Negative LVDS Differential Data Input (2)
12	RXIN2+	Positive LVDS Differential Data Input (2)
13	GND	Power Ground
14	RXCLKIN-	Negative LVDS Differential Clock Input (Clock)
15	RXCLKIN+	Positive LVDS Differential Clock Input (Clock)
16	GND	Power Ground
17	RXIN3-	Negative LVDS Differential Data Input (3)
18	RXIN3+	Positive LVDS Differential Data Input (3)
19	GND	Power Ground
20	NC	No Connection
21	NC	No Connection
22	NC	No Connection
23	GND	Power Ground
24	GND	Power Ground
25	GND	Power Ground
26	VCC	Power Supply : +5V
27	VCC	
28	VCC	
29	VCC	
30	VCC	

\* If the system already uses the 1, 2pins, it should keep under GND level  
The voltage applied to those pins should not exceed -200mV.

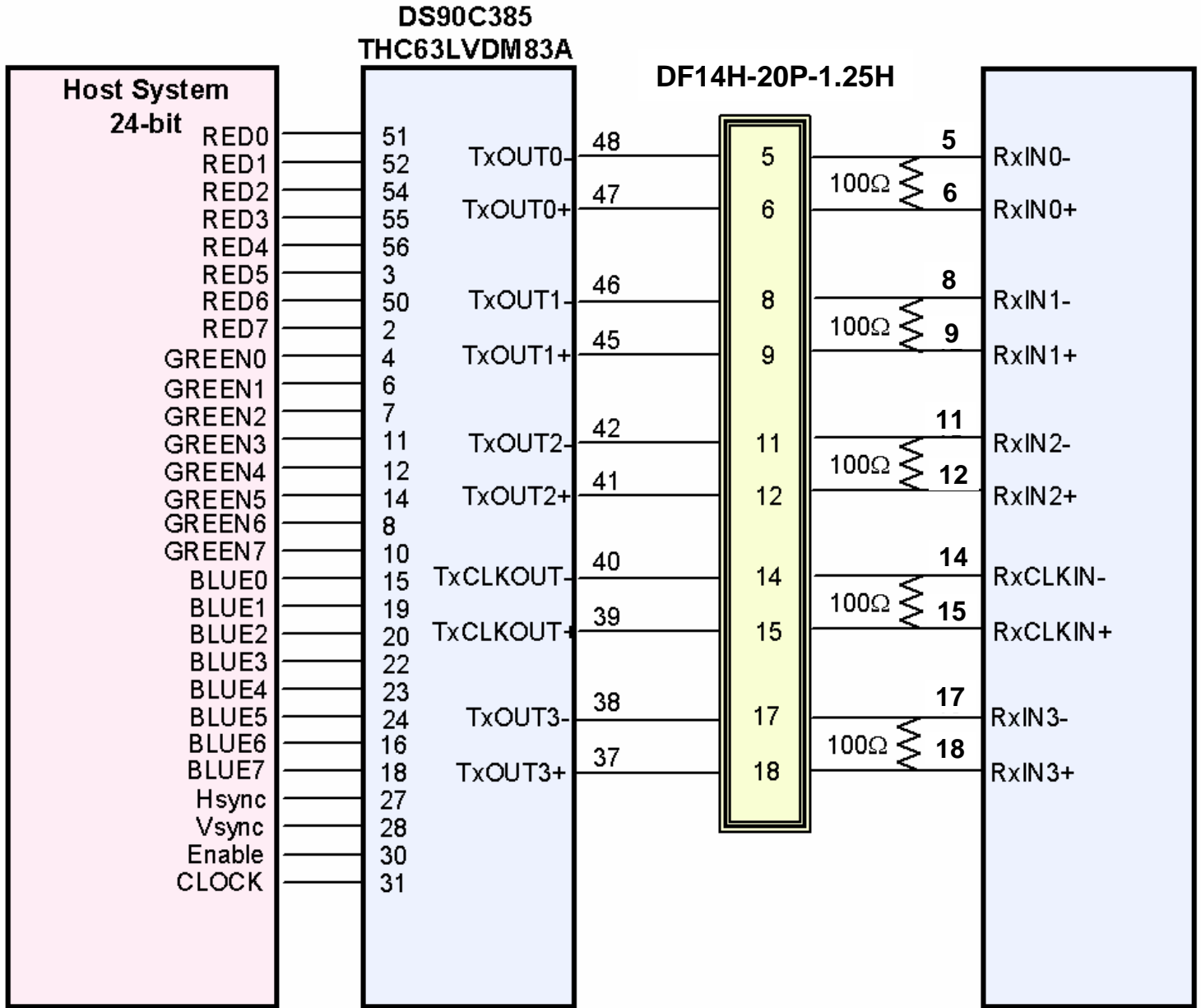
Note) Pin number starts from Left side



**Fig. Connector diagram**

- a. All GND pins should be connected together and also be connected to the LCD's metal chassis.
- b. All power input pins should be connected together.
- c. All NC pins should be separated from other signal or power.

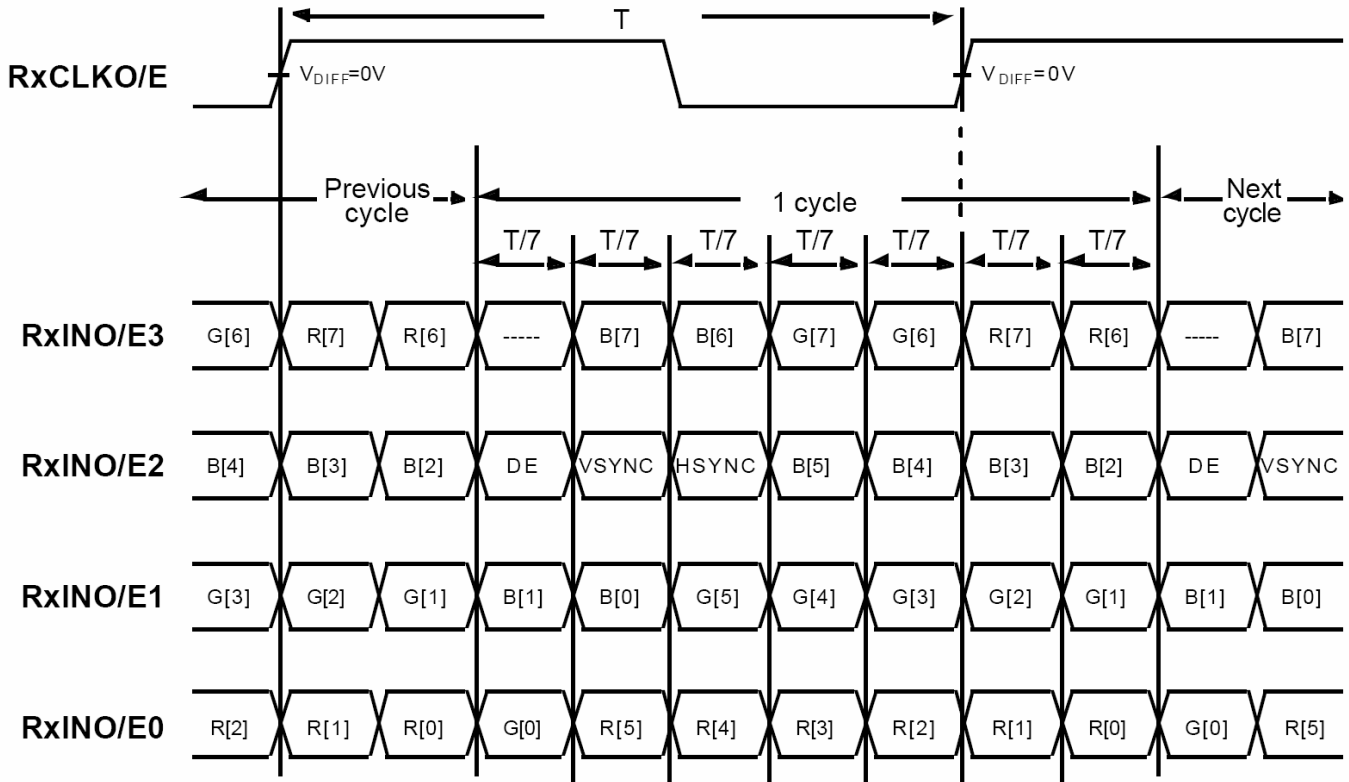
5.2 LVDS Interface  
5.2.1 Pixel data



Note :

The LCD Module uses a 100ohm resistor between positive and negative lines of each receiver input.

5.3.3 Timing Diagrams of LVDS For Transmitting  
 LVDS Receiver : Integrated T-CON



### 5.4 Back Light Unit

	Pin No.	Input	Color	Function
Upper	1	Hot – 1	Red	High Voltage
	2	Cold – 1	White	Ground
Lower	1	Hot – 1	Red	High Voltage
	2	Cold – 1	White	Ground
	Connect or Part No.	Yeonho 35001HS-02L or equivalent		

### 5.5 Input Signals, Basic Display Colors and Gray Scale of Each Color

COLOR	DISPLAY (8bit)	DATA SIGNAL																					GRAY SCALE LEVEL			
		RED							GREEN							BLUE										
		R0	R1	R2	R3	R4	R5	R6	R7	G0	G1	G2	G3	G4	G5	G6	G7	B0	B1	B2	B3	B4		B5	B6	B7
BASIC COLOR	BLACK	0	0	0	0	0	0	0	0	0	0	0	0	0	0	0	0	0	0	0	0	0	0	0	-	
	BLUE	0	0	0	0	0	0	0	0	0	0	0	0	0	0	0	0	1	1	1	1	1	1	1	1	-
	GREEN	0	0	0	0	0	0	0	0	1	1	1	1	1	1	1	1	0	0	0	0	0	0	0	0	-
	CYAN	0	0	0	0	0	0	0	0	1	1	1	1	1	1	1	1	1	1	1	1	1	1	1	1	-
	RED	1	1	1	1	1	1	1	1	0	0	0	0	0	0	0	0	0	0	0	0	0	0	0	0	-
	MAGENTA A	1	1	1	1	1	1	1	1	0	0	0	0	0	0	0	0	1	1	1	1	1	1	1	1	-
	YELLOW	1	1	1	1	1	1	1	1	1	1	1	1	1	1	1	1	0	0	0	0	0	0	0	0	-
	WHITE	1	1	1	1	1	1	1	1	1	1	1	1	1	1	1	1	1	1	1	1	1	1	1	1	-
GRAY SCALE OF RED	BLACK	0	0	0	0	0	0	0	0	0	0	0	0	0	0	0	0	0	0	0	0	0	0	0	R0	
	DARK ↑	1	0	0	0	0	0	0	0	0	0	0	0	0	0	0	0	0	0	0	0	0	0	0	R1	
		0	1	0	0	0	0	0	0	0	0	0	0	0	0	0	0	0	0	0	0	0	0	0	R2	
		:	:	:	:	:	:	:	:	:	:	:	:	:	:	:	:	:	:	:	:	:	:	:	R3~R252	
		:	:	:	:	:	:	:	:	:	:	:	:	:	:	:	:	:	:	:	:	:	:	:		
	LIGHT ↓	1	0	1	1	1	1	1	1	0	0	0	0	0	0	0	0	0	0	0	0	0	0	0	R253	
		0	1	1	1	1	1	1	1	0	0	0	0	0	0	0	0	0	0	0	0	0	0	0	R254	
	RED	1	1	1	1	1	1	1	1	0	0	0	0	0	0	0	0	0	0	0	0	0	0	0	R255	
GRAY SCALE OF GREEN	BLACK	0	0	0	0	0	0	0	0	0	0	0	0	0	0	0	0	0	0	0	0	0	0	0	G0	
	DARK ↑	0	0	0	0	0	0	0	0	1	0	0	0	0	0	0	0	0	0	0	0	0	0	0	G1	
		0	0	0	0	0	0	0	0	0	1	0	0	0	0	0	0	0	0	0	0	0	0	0	G2	
		:	:	:	:	:	:	:	:	:	:	:	:	:	:	:	:	:	:	:	:	:	:	:	G3~G252	
		:	:	:	:	:	:	:	:	:	:	:	:	:	:	:	:	:	:	:	:	:	:	:		
	LIGHT ↓	0	0	0	0	0	0	0	0	1	0	1	1	1	1	1	1	0	0	0	0	0	0	0	G253	
		0	0	0	0	0	0	0	0	0	1	1	1	1	1	1	1	0	0	0	0	0	0	0	G254	
	GREEN	0	0	0	0	0	0	0	0	1	1	1	1	1	1	1	1	0	0	0	0	0	0	0	G255	
GRAY SCALE OF BLUE	BLACK	0	0	0	0	0	0	0	0	0	0	0	0	0	0	0	0	0	0	0	0	0	0	0	B0	
	DARK ↑	0	0	0	0	0	0	0	0	0	0	0	0	0	0	0	0	1	0	0	0	0	0	0	B1	
		0	0	0	0	0	0	0	0	0	0	0	0	0	0	0	0	0	1	0	0	0	0	0	B2	
		:	:	:	:	:	:	:	:	:	:	:	:	:	:	:	:	:	:	:	:	:	:	:	B3~B252	
		:	:	:	:	:	:	:	:	:	:	:	:	:	:	:	:	:	:	:	:	:	:	:		
	LIGHT ↓	0	0	0	0	0	0	0	0	0	0	0	0	0	0	0	0	1	0	1	1	1	1	1	B253	
		0	0	0	0	0	0	0	0	0	0	0	0	0	0	0	0	0	1	1	1	1	1	1	B254	
	BLUE	0	0	0	0	0	0	0	0	0	0	0	0	0	0	0	0	1	1	1	1	1	1	1	B255	

Note (1) Definition of Gray :

Rn : Red Gray, Gn : Green Gray, Bn : Blue Gray (n = Gray level)

Input Signal : 0 = Low level voltage, 1 = High level voltage

## 6. Interface Timing

### 6.1 Timing Parameters ( DE only mode )

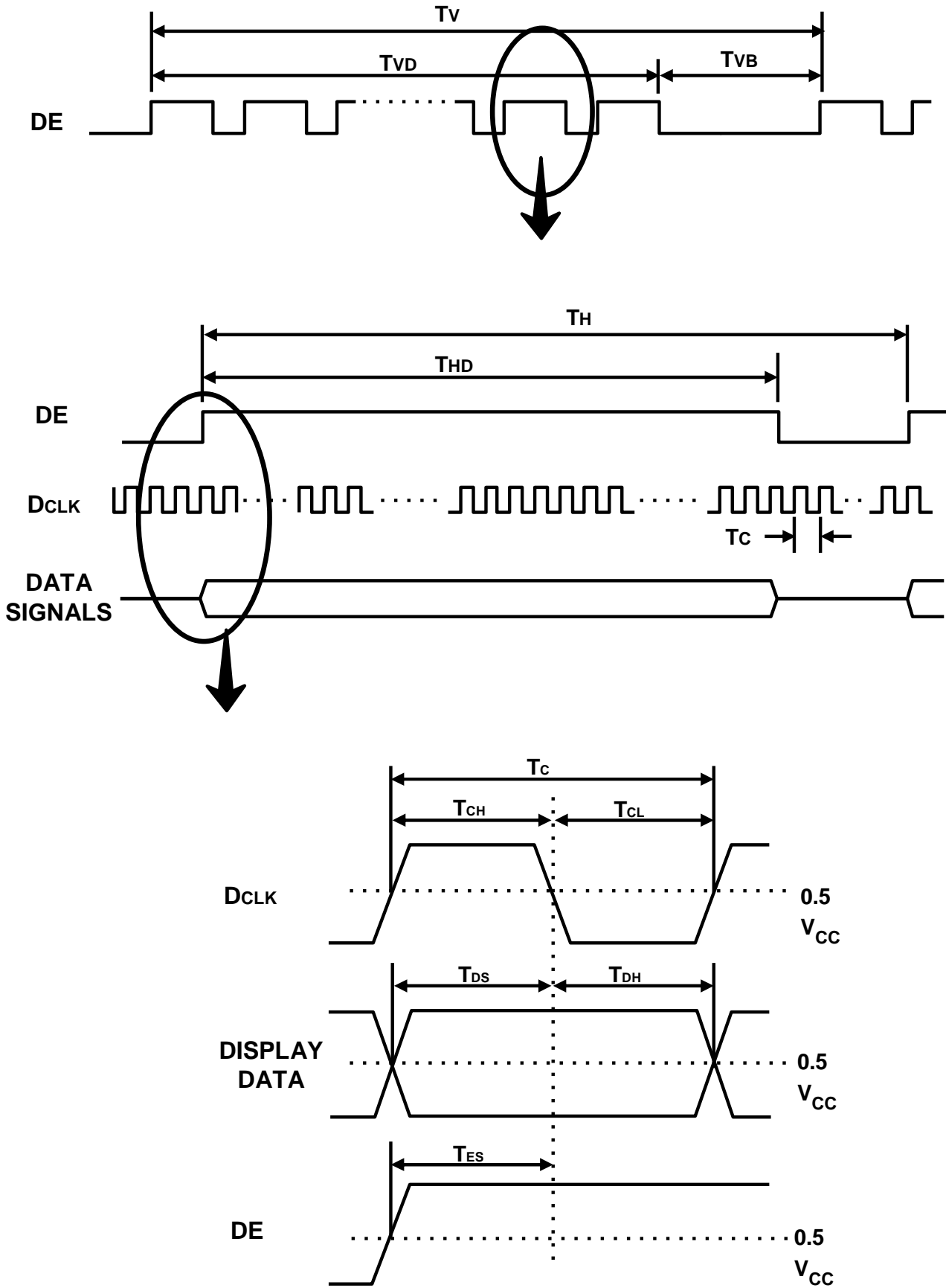
SIGNAL	ITEM	SYMBOL	MIN.	TYP.	MAX.	Unit	NOTE
Clock	Frequency	$1/T_C$	71.4	85.8	108.8	MHz	-
Hsync		$F_H$	39.9	47.9	60.6	KHz	-
Vsync		$F_V$	50	60	76	Hz	-
Vertical Display Term	Active Display Period	$T_{VD}$	-	768	-	lines	-
	Vertical Total	$T_{VB}$	776	798	1108	lines	-
Horizontal Display Term	Active Display Period	$T_{HD}$	-	1366	-	clocks	-
	Horizontal Total	$T_H$	1446	1792	2046	clocks	-

Note (1) This product is DE only mode. The input of Hsync & Vsync signal does not have an effect on normal operation.

(2) Test Point : TTL control signal and CLK at LVDS Tx input terminal in system

(3) Internal Vcc = 3.3V

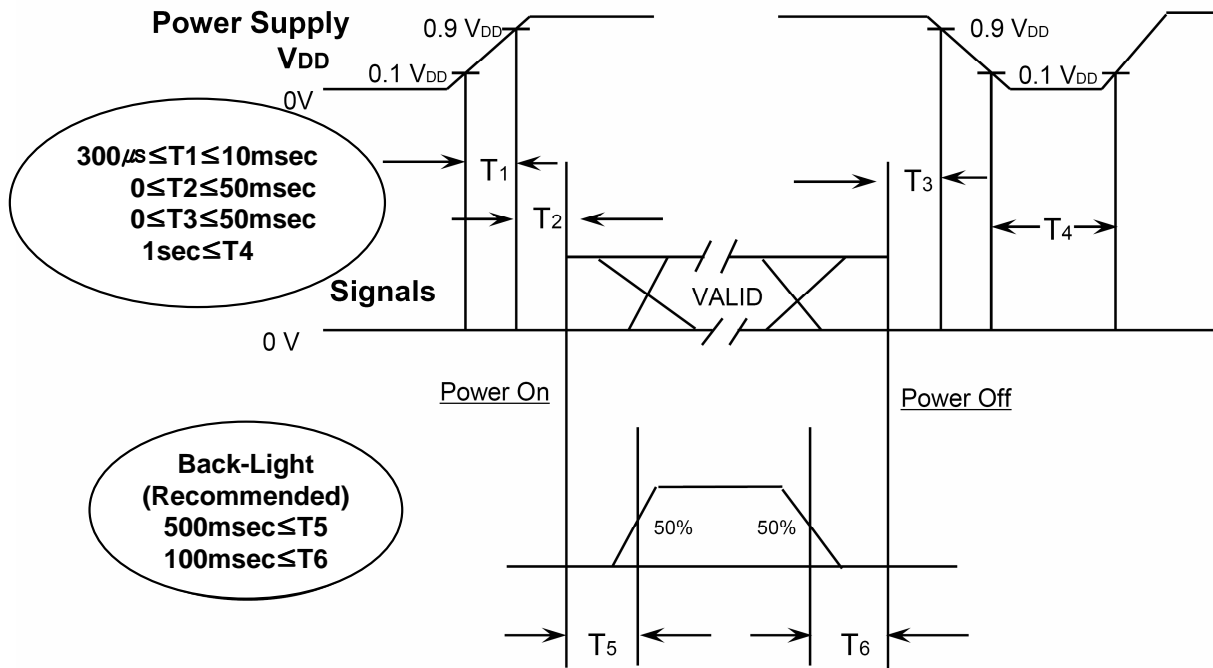
6.2 Timing diagrams of interface signal ( DE only mode )





### 6.3 Power ON/OFF Sequence

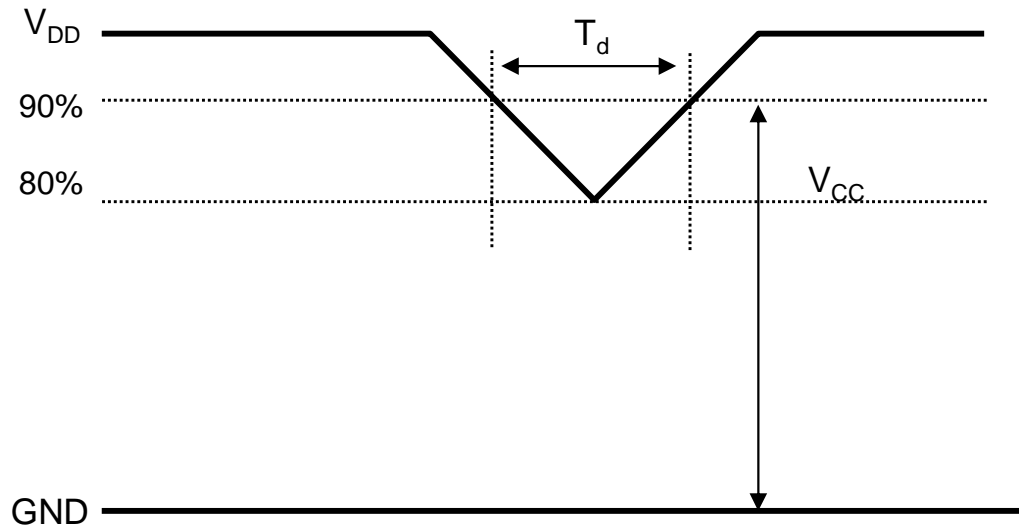
To prevent a latch-up or DC operation of the LCD Module, the power on/off sequence should be as the diagram below.



- T1 : V<sub>DD</sub> rising time from 10% to 90%
- T2 : The time from V<sub>DD</sub> to valid data at power ON.
- T3 : The time from valid data off to V<sub>DD</sub> off at power Off.
- T4 : V<sub>DD</sub> off time for Windows restart
- T5 : The time from valid data to B/L enable at power ON.
- T6 : The time from valid data off to B/L disable at power Off.

- The supply voltage of the external system for the Module input should be the same as the definition of V<sub>DD</sub>.
- Apply the lamp voltage within the LCD operation range. When the back light turns on before the LCD operation or the LCD turns off before the back light turns off, the display may momentarily show abnormal screen.
- In case of V<sub>DD</sub> = off level, please keep the level of input signals low or keep a high impedance.
- T4 should be measured after the Module has been fully discharged between power off and on period.
- Interface signal should not be kept at high impedance when the power is on.

### 6.4 VDD Power Dip Condition



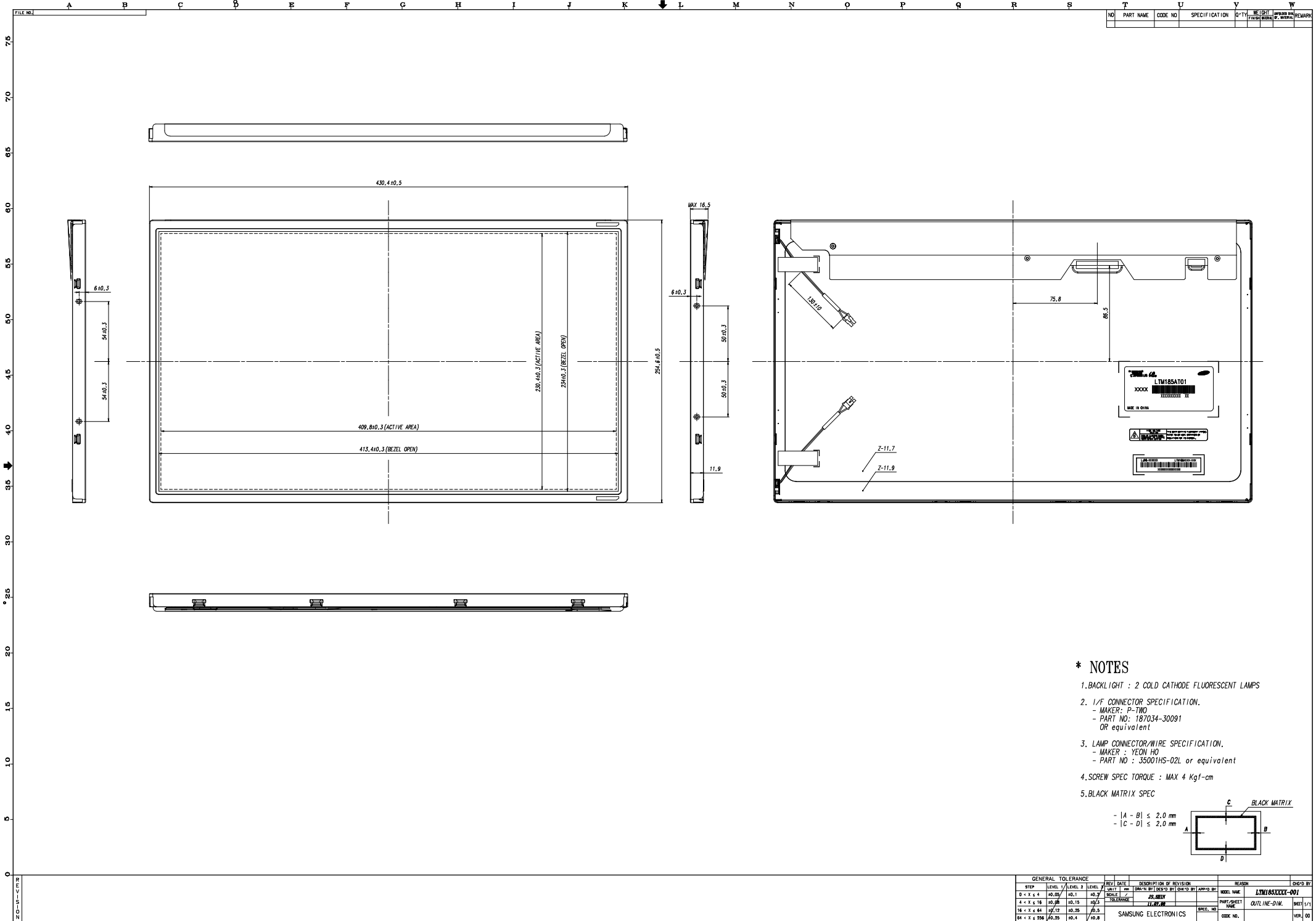
$$4.5V \leq V_{DD} \leq 5.5V$$

$$\text{If } V_{DD}(\text{typ.}) \times 80\% \leq V_{CC} \leq V_{DD}(\text{typ}) \times 90\%, \text{ then } 0 < T_d \leq 20\text{msec}$$

- Note (1) The above conditions are for the glitch of the input voltage.  
 (2) For stable operation of an LCD Module power, please follow them.  
 i.e., if  $\text{typ } V_{DD} \times 80\% \leq V_{CC} \leq \text{typ } V_{DD} \times 90\%$ , then  $T_d$  should be less than 20ms.

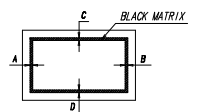
## 7. Outline Dimension

[ Refer to the next page ]



**\* NOTES**

- BACKLIGHT : 2 COLD CATHODE FLUORESCENT LAMPS
- 1/F CONNECTOR SPECIFICATION.  
 - MAKER : P-TWO  
 - PART NO : 187034-30091  
 OR equivalent
- LAMP CONNECTOR/WIRE SPECIFICATION.  
 - MAKER : YEON HO  
 - PART NO : 35001HS-02L OR equivalent
- SCREW SPEC TORQUE : MAX 4 Kgf-cm
- BLACK MATRIX SPEC  
 - A - B ≤ 2.0 mm  
 - C - D ≤ 2.0 mm



GENERAL TOLERANCE				REV. DATE	DESCRIPTION OF REVISION	REASON	CHG'D BY
STEP	LEVEL 1	LEVEL 2	LEVEL 3	UNIT	DATE	BY	CHK'D BY
0 × X ± 4	H0.05	H0.1	H0.2	mm			
4 × X ± 16	H0.08	H0.15	H0.3				
16 × X ± 64	H0.12	H0.25	H0.5				
64 × X ± 256	H0.4	H0.8					

REV. NO.	DATE	DESCRIPTION OF REVISION	BY	CHK'D BY	REASON
1		RELEASED	TS, HRP		LTM185XXXX-001
2		71.02.06			PART SHEET
					OUTLINE-DIM.
					VER. 1/1

NO.	PART NAME	CODE NO.	SPECIFICATION	QTY	WEIGHT	APPROVAL	REMARK

## 8. General Precautions

### 8.1 Handling

- (a) When the module is assembled, it should be attached to the system firmly using all mounting holes. Be careful not to twist and bend the module.
- (b) Because the inverter uses high voltages, it should be disconnected from power source before it is assembled or disassembled.
- (c) Refrain from strong mechanical shock and / or any force to the module. In addition to damage, it may cause improper operation or damage to the module and CCFT back light.
- (d) Note that polarizer films are very fragile and could be damaged easily. Do not press or scratch the surface harder than a HB pencil lead.
- (e) Wipe off water droplets or oil immediately. If you leave the droplets for a long time, staining or discoloration may occur.
- (f) If the surface of the polarizer is dirty, clean it using absorbent cotton or soft cloth.
- (g) Desirable cleaners are water, IPA (Isopropyl Alcohol) or Hexane. Do not use Ketone type materials (ex. Acetone), Ethyl alcohol, Toluene, Ethyl acid or Methyl chloride. It might cause permanent damage to the polarizer due to chemical reaction.
- (h) If the liquid crystal material leaks from the panel, it should be kept away from the eyes or mouth . In case of contact with hands, legs or clothes, it must be washed away with soap thoroughly.
- (i) Protect the Module from static, or the CMOS Gate Array IC would be damaged.
- (j) Use finger-stalls with soft gloves in order to keep display clean during the incoming inspection and assembly process.
- (k) Do not disassemble the Module.
- (l) Do not pull or fold the lamp wire.
- (m) Do not adjust the variable resistor located on the Module.
- (n) Protection film for polarizer on the Module should be slowly peeled off just before use so that the electrostatic charge can be minimized.
- (o) Pins of I/F connector should not be touched directly with bare hands.

## 8.2 Storage

- (a) Do not leave the Module in high temperature, and high humidity for a long time. It is highly recommended to store the Module with temperature from 0 to 35 °C and relative humidity of less than 70%.
- (b) Do not store the TFT-LCD Module in direct sunlight.
- (c) The Module should be stored in a dark place. It is prohibited to apply sunlight or fluorescent light in storing.

## 8.3 Operation

- (a) Do not connect or disconnect the Module in the "Power On" condition.
- (b) Power supply should always be turned on/off by the item 6.3 "Power on/off sequence"
- (c) Module has high frequency circuits. Sufficient suppression to the electromagnetic interference should be done by system manufacturers. Grounding and shielding methods may be important to minimize the interference.
- (d) The cable between the back light connector and its inverter power supply should be connected directly with a minimized length. A longer cable between the back light and the inverter may cause lower luminance of lamp(CCFT) and may require higher startup voltage(Vs).

## 8.4 Operation Condition Guide

- (a) The LCD product should be operated under normal conditions. Normal condition is defined as below;
  - Temperature :  $20 \pm 15$  °C
  - Humidity :  $65 \pm 20$  %
  - Display pattern : continually changing pattern (Not stationary)
- (b) If the product will be used in extreme conditions such as high temperature, humidity, display patterns or operation time etc., It is strongly recommended to contact SEC for Application engineering advice. Otherwise, its reliability and function may not be guaranteed. Extreme conditions are commonly found at Airports, Transit Stations, Banks, Stock market, and Controlling systems.

## 8.5 Others

- (a) Ultra-violet ray filter is necessary for outdoor operation.
- (b) Avoid condensation of water. It may result in improper operation or disconnection of electrode.
- (c) Do not exceed the absolute maximum rating value. ( supply voltage variation, input voltage variation, variation in part contents and environmental temperature, and so on)  
Otherwise the Module may be damaged.
- (d) If the Module keeps displaying the same pattern for a long period of time, the image may be "stuck" to the screen.  
To avoid image sticking, it is recommended to use a screen saver.
- (e) This Module has its circuitry PCB's on the rear side and should be handled carefully in order not to be stressed.
- (f) Please contact SEC in advance when you display the same pattern for a long time.