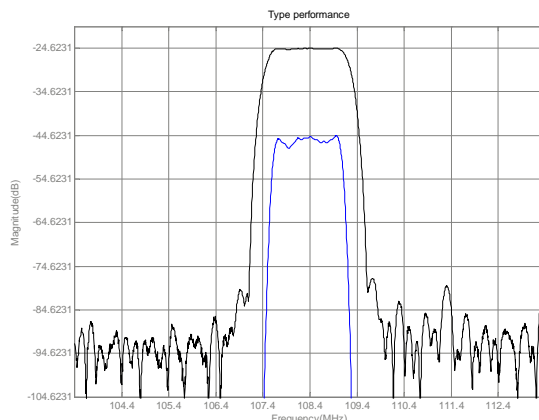




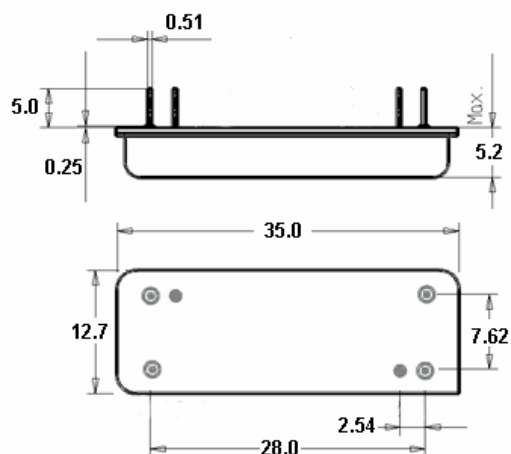
LBS10801 SAW Filter Electrical Characteristic

<i>Specifications</i>				
Parameter	Unit	Minimum	Typical	Maximum
Center Frequency	MHz	108.35	108.4	108.45
Insertion Loss	dB	-	24.6	28
3 dB Bandwidth	MHz	1.6	1.71	-
28 dB Bandwidth	MHz	-	2.30	2.4
38 dB Bandwidth	MHz	-	2.41	2.5
43 dB Bandwidth	MHz	-	2.43	3.0
Passband Variation	dB	-	0.3	1.0
Group Delay Variation	nesc	-	70	180
Absolute Delay	usec	-	3.62	-
Ultimate Rejection	dB	50	55	-
Substrate Material		Quartz		
Ambient Temperature	°C	25		
Package Size		DIP3512 (35.0x12.7x5.2mm ³)		

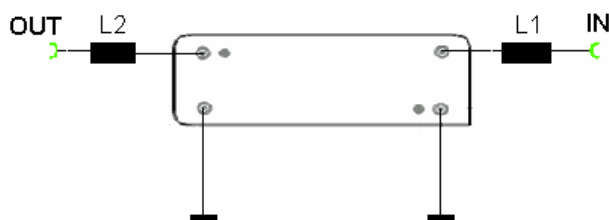
Typical Performance



Package Outline



Matching Configuration



L1=56nH L2=82nH
 Source/Load Impedance=50 ohm

Notes - Component values may change depending on board layout.