
HM62W1400H Series

4M High Speed SRAM (4-Mword × 1-bit)

HITACHI

ADE-203-773E (Z)

Rev. 2.0

Nov. 11, 1998

Description

The HM62W1400H is a 4-Mbit high speed static RAM organized 4-Mword × 1-bit. It has realized high speed access time by employing CMOS process (4-transistor + 2-poly resistor memory cell) and high speed circuit designing technology. It is most appropriate for the application which requires high speed and high density memory, such as cache and buffer memory in system. The HM62W1400H is packaged in 400-mil 32-pin SOJ and 400-mil 32-pin TSOP II for high density surface mounting.

Features

- Single 3.3 V supply : 3.3 V ± 0.3 V
- Access time 12/15 ns (max)
- Completely static memory
 - No clock or timing strobe required
- Equal access and cycle times
- Directly TTL compatible
 - All inputs and outputs
- Operating current: 180/160 mA (max)
- TTL standby current: 60/50 mA (max)
- CMOS standby current: 5 mA (max)
 - : 1 mA (max) (L-version)
- Data retention current: 0.6 mA (max) (L-version)
- Data retention voltage: 2 V (min) (L-version)
- Center V_{CC} and V_{SS} type pinout

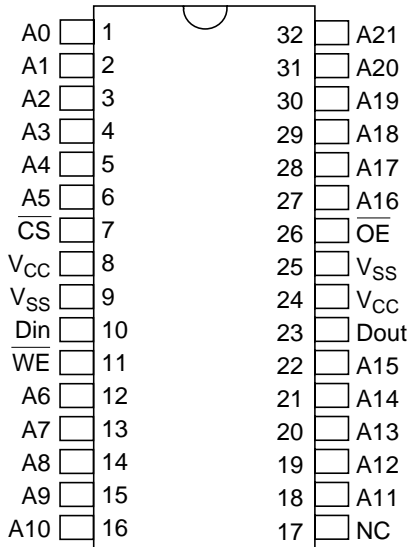
HM62W1400H Series

Ordering Information

Type No.	Access time	Package
HM62W1400HJP-12	12 ns	400-mil 32-pin plastic SOJ (CP-32DB)
HM62W1400HJP-15	15 ns	
HM62W1400HLJP-12	12 ns	400-mil 32-pin plastic TSOP II (TTP-32DC)
HM62W1400HLJP-15	15 ns	
HM62W1400HTT-12	12 ns	400-mil 32-pin plastic TSOP II (TTP-32DC)
HM62W1400HTT-15	15 ns	
HM62W1400HLTT-12	12 ns	400-mil 32-pin plastic TSOP II (TTP-32DC)
HM62W1400HLTT-15	15 ns	

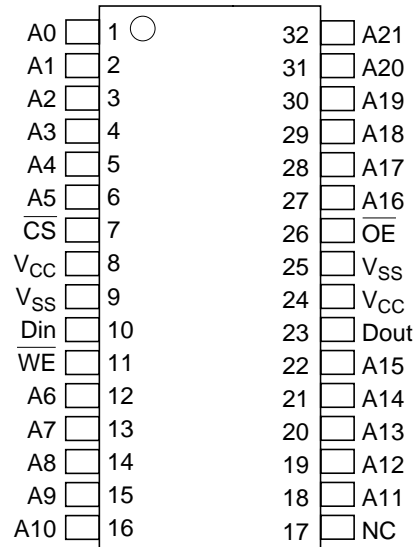
Pin Arrangement

HM62W1400HJP/HLJP Series



(Top view)

HM62W1400HTT/HLTT Series

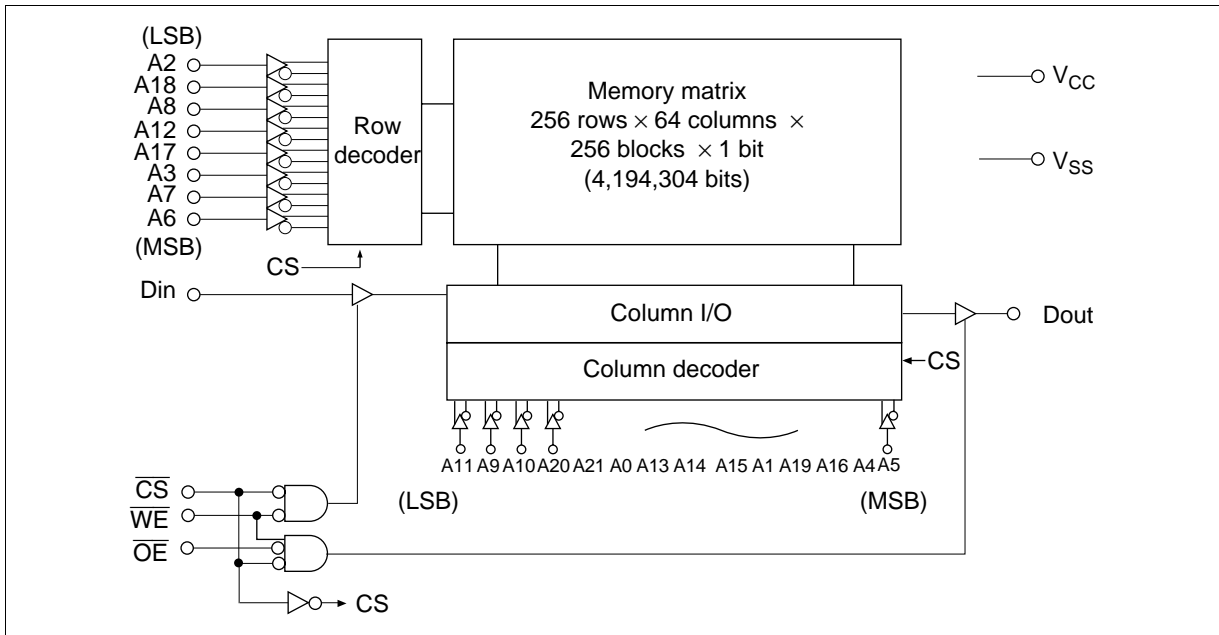


(Top view)

Pin Description

Pin name	Function
A0 to A21	Address input
Din	Data input
Dout	Data output
\overline{CS}	Chip select
\overline{OE}	Output enable
\overline{WE}	Write enable
V_{CC}	Power supply
V_{SS}	Ground
NC	No connection

Block Diagram



Operation Table

\overline{CS}	\overline{OE}	\overline{WE}	Mode	V_{CC} current	Dout	Ref. cycle
H	×	×	Standby	I_{SB}, I_{SB1}	High-Z	—
L	H	H	Output disable	I_{CC}	High-Z	—
L	L	H	Read	I_{CC}	Dout	Read cycle (1) to (3)
L	H	L	Write	I_{CC}	High-Z	Write cycle (1)
L	L	L	Write	I_{CC}	High-Z	Write cycle (2)

Note: ×: H or L

Absolute Maximum Ratings

Parameter	Symbol	Value	Unit
Supply voltage relative to V_{SS}	V_{CC}	-0.5 to +4.6	V
Voltage on any pin relative to V_{SS}	V_T	-0.5* ¹ to $V_{CC}+0.5$ * ²	V
Power dissipation	P_T	1.0	W
Operating temperature	T_{opr}	0 to +70	°C
Storage temperature	T_{stg}	-55 to +125	°C
Storage temperature under bias	T_{bias}	-10 to +85	°C

Notes: 1. V_T (min) = -2.0 V for pulse width (under shoot) ≤ 8 ns
 2. V_T (max) = $V_{CC} + 2.0$ V for pulse width (over shoot) ≤ 8 ns

Recommended DC Operating Conditions ($T_a = 0$ to +70°C)

Parameter	Symbol	Min	Typ	Max	Unit
Supply voltage	V_{CC} * ³	3.0	3.3	3.6	V
	V_{SS} * ⁴	0	0	0	V
Input voltage	V_{IH}	2.2	—	$V_{CC} + 0.5$ * ²	V
	V_{IL}	-0.5* ¹	—	0.8	V

Notes: 1. V_{IL} (min) = -2.0 V for pulse width (under shoot) ≤ 8 ns
 2. V_{IH} (max) = $V_{CC} + 2.0$ V for pulse width (over shoot) ≤ 8 ns
 3. The supply voltage with all V_{CC} pins must be on the same level.
 4. The supply voltage with all V_{SS} pins must be on the same level.

DC Characteristics ($T_a = 0$ to $+70^\circ\text{C}$, $V_{CC} = 3.3 \text{ V} \pm 0.3 \text{ V}$, $V_{SS} = 0\text{V}$)

Parameter		Symbol	Min	Typ* ¹	Max	Unit	Test conditions
Input leakage current		I_{LI}	—	—	2	μA	$V_{in} = V_{SS}$ to V_{CC}
Output leakage current		I_{LO}	—	—	2	μA	$V_{in} = V_{SS}$ to V_{CC}
Operation power supply current	12 ns cycle	I_{CC}	—	—	180	mA	Min cycle $\overline{CS} = V_{IL}$, $I_{out} = 0 \text{ mA}$ Other inputs = V_{IH}/V_{IL}
	15 ns cycle	I_{CC}	—	—	160		
Standby power supply current	12 ns cycle	I_{SB}	—	—	60	mA	Min cycle, $\overline{CS} = V_{IH}$, Other inputs = V_{IH}/V_{IL}
	15 ns cycle	I_{SB}	—	—	50		
		I_{SB1}	—	0.05	5	mA	$f = 0 \text{ MHz}$ $V_{CC} \geq \overline{CS} \geq V_{CC} - 0.2 \text{ V}$, (1) $0 \text{ V} \leq V_{in} \leq 0.2 \text{ V}$ or (2) $V_{CC} \geq V_{in} \geq V_{CC} - 0.2 \text{ V}$
		—* ²	0.05* ²	1* ²			
Output voltage		V_{OL}	—	—	0.4	V	$I_{OL} = 8 \text{ mA}$
		V_{OH}	2.4	—	—	V	$I_{OH} = -4 \text{ mA}$

- Notes: 1. Typical values are at $V_{CC} = 3.3 \text{ V}$, $T_a = +25^\circ\text{C}$ and not guaranteed.
2. This characteristics is guaranteed only for L-version.

Capacitance ($T_a = +25^\circ\text{C}$, $f = 1.0 \text{ MHz}$)

Parameter		Symbol	Min	Typ	Max	Unit	Test conditions
Input capacitance* ¹		C_{in}	—	—	6	pF	$V_{in} = 0 \text{ V}$
		C_{DIN}	—	—	8	pF	$V_{DIN} = 0 \text{ V}$
Input/output capacitance* ¹		C_{DOUT}	—	—	8	pF	$V_{DOUT} = 0 \text{ V}$

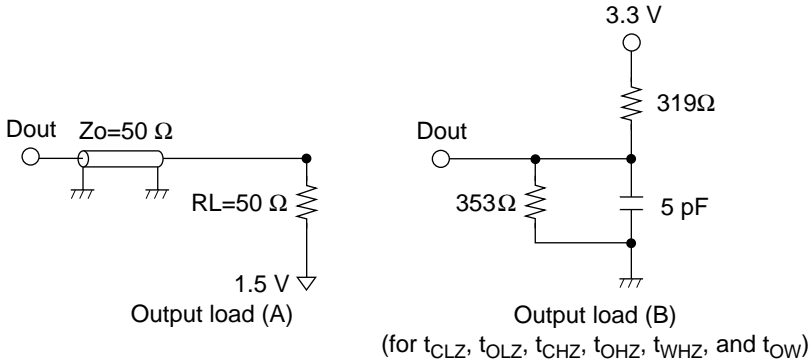
- Note: 1. This parameter is sampled and not 100% tested.

HM62W1400H Series

AC Characteristics ($T_a = 0$ to $+70^\circ\text{C}$, $V_{CC} = 3.3\text{ V} \pm 0.3\text{ V}$, unless otherwise noted.)

Test Conditions

- Input pulse levels: 3.0 V/0.0 V
- Input rise and fall time: 3 ns
- Input and output timing reference levels: 1.5 V
- Output load: See figures (Including scope and jig)



Read Cycle

HM62W1400H

Parameter	Symbol	-12		-15		Unit	Notes
		Min	Max	Min	Max		
Read cycle time	t_{RC}	12	—	15	—	ns	
Address access time	t_{AA}	—	12	—	15	ns	
Chip select access time	t_{ACS}	—	12	—	15	ns	
Output enable to output valid	t_{OE}	—	6	—	7	ns	
Output hold from address change	t_{OH}	3	—	3	—	ns	
Chip select to output in low-Z	t_{CLZ}	3	—	3	—	ns	1
Output enable to output in low-Z	t_{OLZ}	0	—	0	—	ns	1
Chip deselect to output in high-Z	t_{CHZ}	—	6	—	7	ns	1
Output disable to output in high-Z	t_{OHZ}	—	6	—	7	ns	1

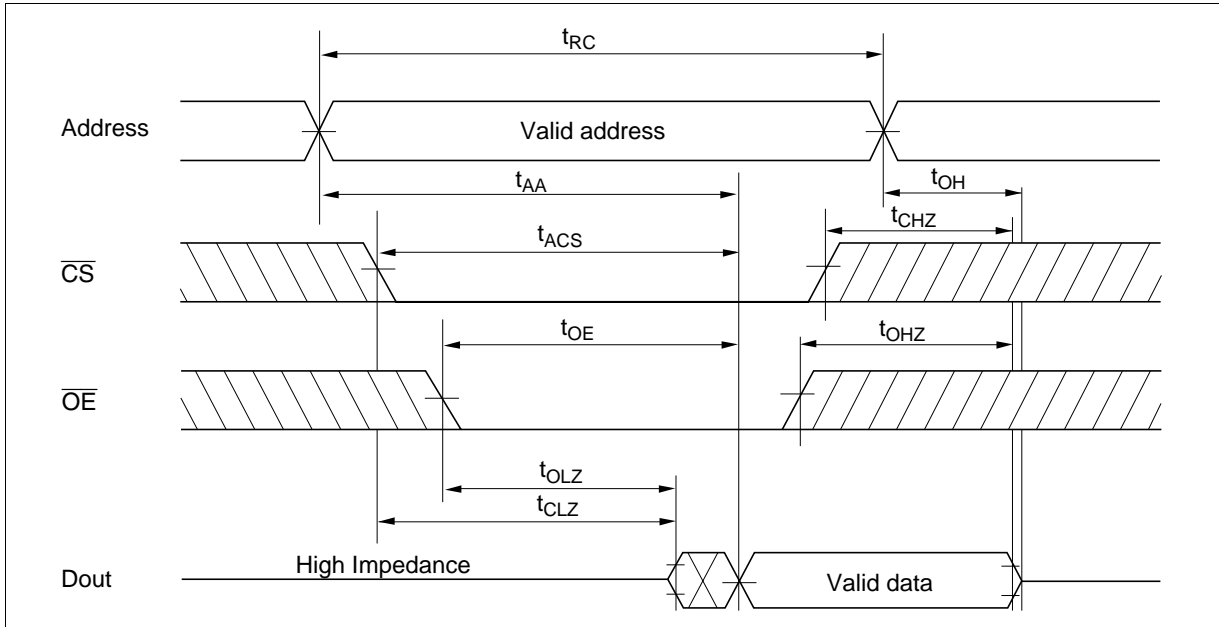
Write Cycle

Parameter	Symbol	HM62W1400H				Unit	Notes
		-12		-15			
		Min	Max	Min	Max		
Write cycle time	t_{WC}	12	—	15	—	ns	
Address valid to end of write	t_{AW}	8	—	10	—	ns	
Chip select to end of write	t_{CW}	8	—	10	—	ns	9
Write pulse width	t_{WP}	8	—	10	—	ns	8
Address setup time	t_{AS}	0	—	0	—	ns	6
Write recovery time	t_{WR}	0	—	0	—	ns	7
Data to write time overlap	t_{DW}	6	—	7	—	ns	
Data hold from write time	t_{DH}	0	—	0	—	ns	
Write disable to output in low-Z	t_{OW}	3	—	3	—	ns	1
Output disable to output in high-Z	t_{OHZ}	—	6	—	7	ns	1
Write enable to output in high-Z	t_{WHZ}	—	6	—	7	ns	1

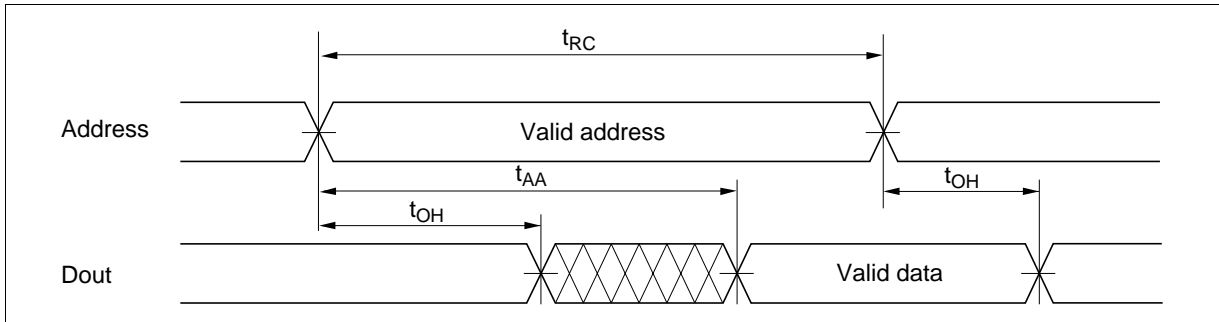
- Note:
1. Transition is measured ± 200 mV from steady voltage with Load (B). This parameter is sampled and not 100% tested.
 2. Address should be valid prior to or coincident with \overline{CS} transition low.
 3. \overline{WE} and/or \overline{CS} must be high during address transition time.
 4. if \overline{CS} and \overline{OE} are low during this period, Dout pins are in the output state. Then, the data input signals of opposite phase to the outputs must not be applied to them.
 5. If the \overline{CS} low transition occurs simultaneously with the \overline{WE} low transition or after the \overline{WE} transition, output remains a high impedance state.
 6. t_{AS} is measured from the latest address transition to the later of \overline{CS} or \overline{WE} going low.
 7. t_{WR} is measured from the earlier of \overline{CS} or \overline{WE} going high to the first address transition.
 8. A write occurs during the overlap of a low \overline{CS} and a low \overline{WE} . A write begins at the latest transition among \overline{CS} going low and \overline{WE} going low. A write ends at the earliest transition among \overline{CS} going high and \overline{WE} going high. t_{WP} is measured from the beginning of write to the end of write.
 9. t_{CW} is measured from the later of \overline{CS} going low to the the end of write.

Timing Waveforms

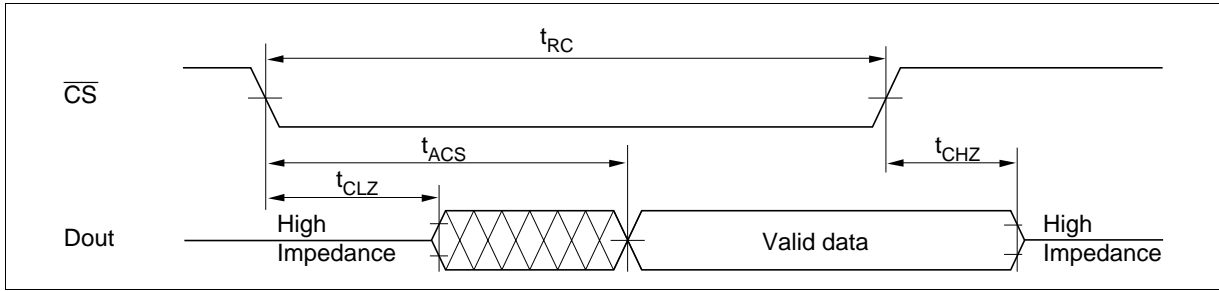
Read Timing Waveform (1) ($\overline{WE} = V_{IH}$)



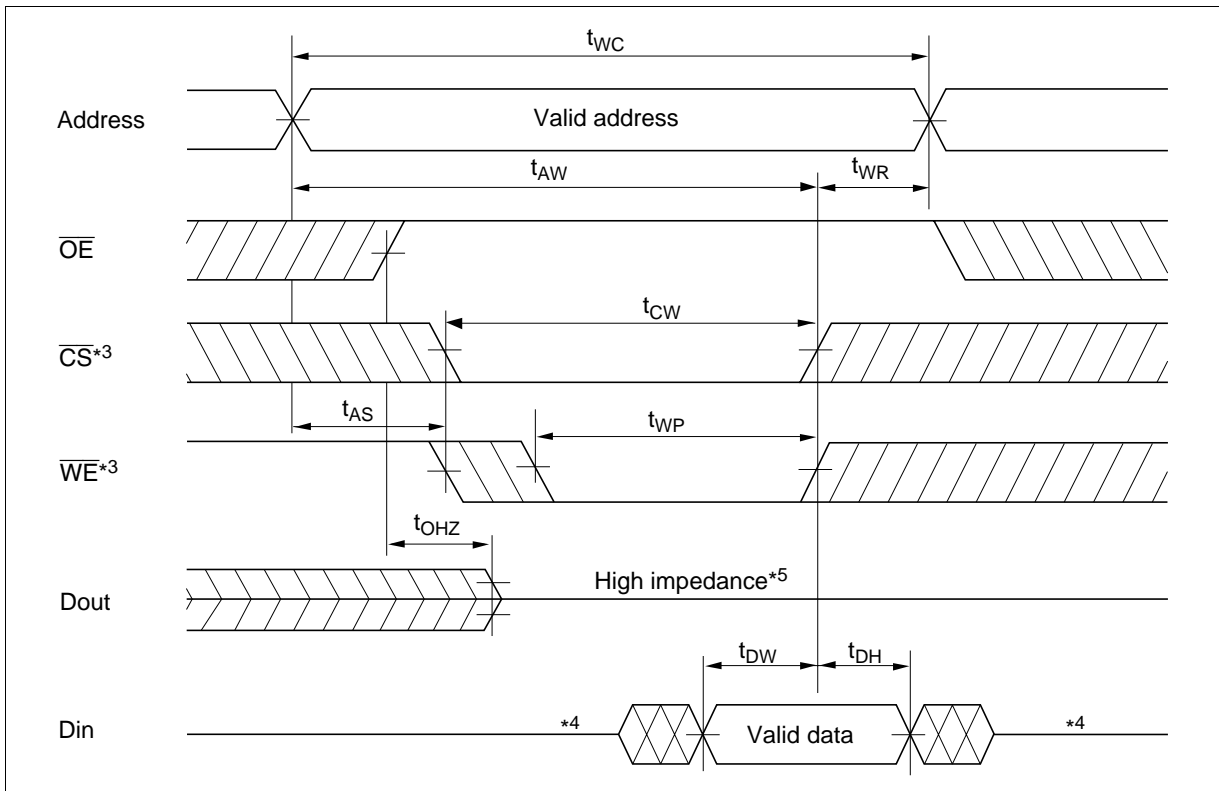
Read Timing Waveform (2) ($\overline{WE} = V_{IH}$, $\overline{CS} = V_{IL}$, $\overline{OE} = V_{IL}$)



Read Timing Waveform (3) ($\overline{WE} = V_{IH}, \overline{CS} = V_{IL}, \overline{OE} = V_{IL}$)*2

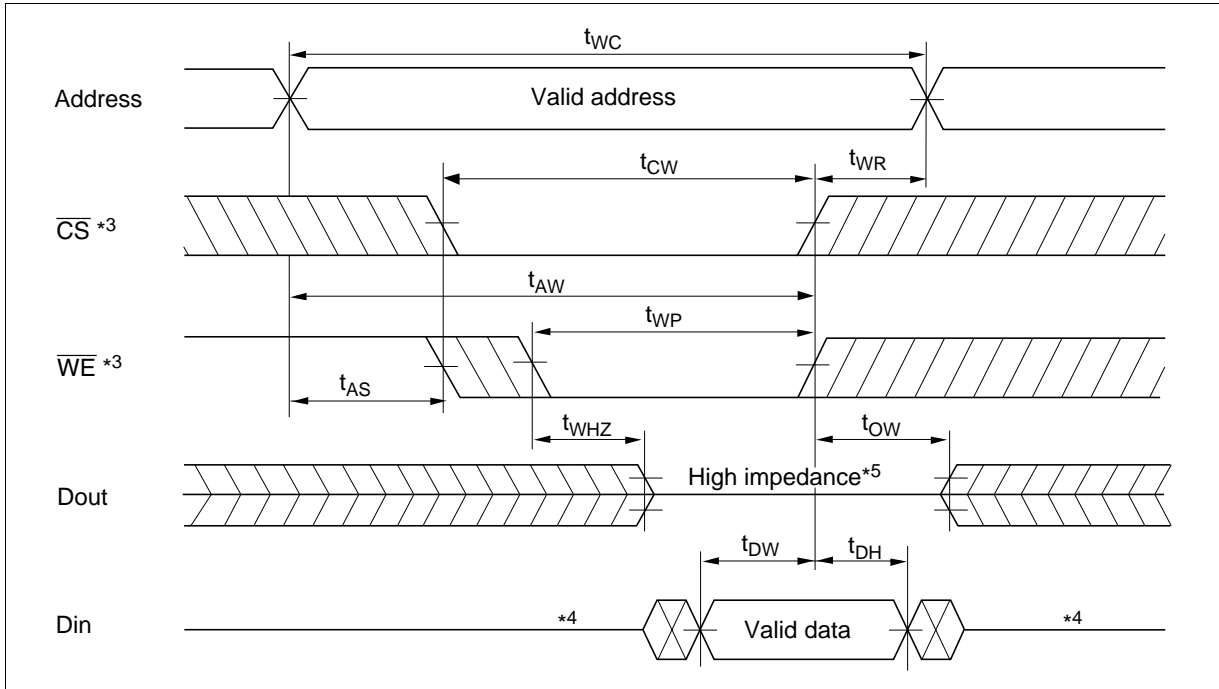


Write Timing Waveform (1) (\overline{WE} Controlled)



HM62W1400H Series

Write Timing Waveform (2) (\overline{CS} Controlled)



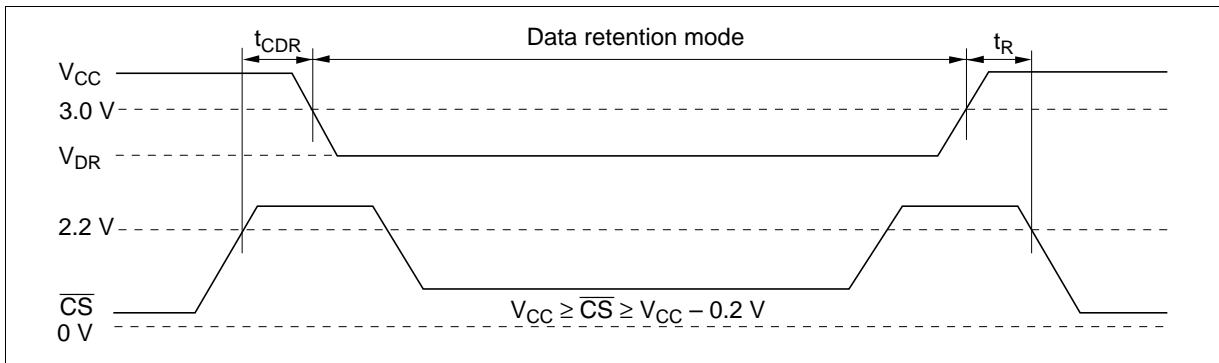
Low V_{CC} Data Retention Characteristics ($T_a = 0$ to $+70^\circ\text{C}$)

This characteristics is guaranteed only for L-version.

Parameter	Symbol	Min	Typ*1	Max	Unit	Test conditions
V_{CC} for data retention	V_{DR}	2.0	—	—	V	$V_{CC} \geq \overline{CS} \geq V_{CC} - 0.2\text{ V}$ (1) $0\text{ V} \leq V_{in} \leq 0.2\text{ V}$ or (2) $V_{CC} \geq V_{in} \geq V_{CC} - 0.2\text{ V}$
Data retention current	I_{CCDR}	—	40	600	μA	$V_{CC} = 3\text{ V}$, $V_{CC} \geq \overline{CS} \geq V_{CC} - 0.2\text{ V}$ (1) $0\text{ V} \leq V_{in} \leq 0.2\text{ V}$ or (2) $V_{CC} \geq V_{in} \geq V_{CC} - 0.2\text{ V}$
Chip deselect to data retention time	t_{CDR}	0	—	—	ns	See retention waveform
Operation recovery time	t_R	5	—	—	ms	

Note: 1. Typical values are at $V_{CC} = 3.0\text{ V}$, $T_a = +25^\circ\text{C}$, and not guaranteed.

Low V_{CC} Data Retention Timing Waveform

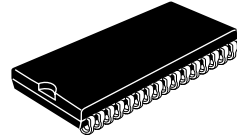
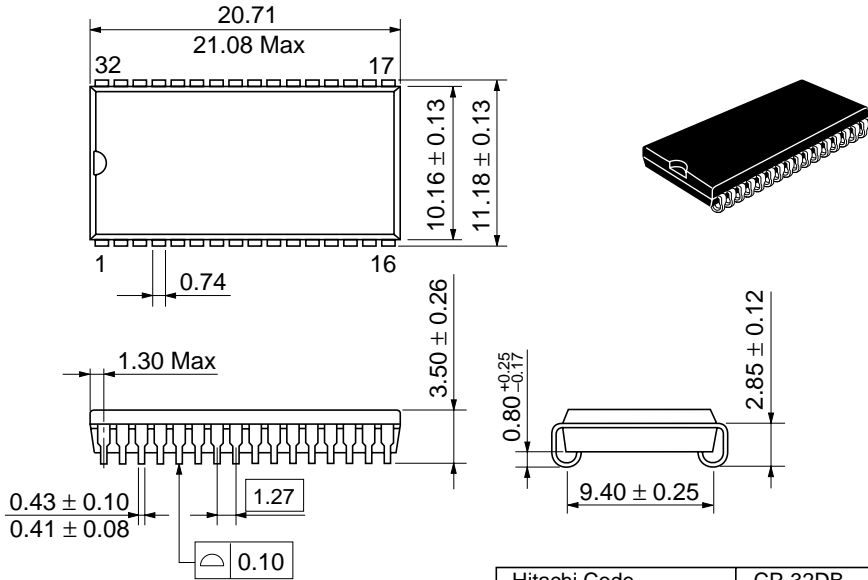


HM62W1400H Series

Package Dimensions

HM62W1400HJP/HLJP Series (CP-32DB)

Unit: mm

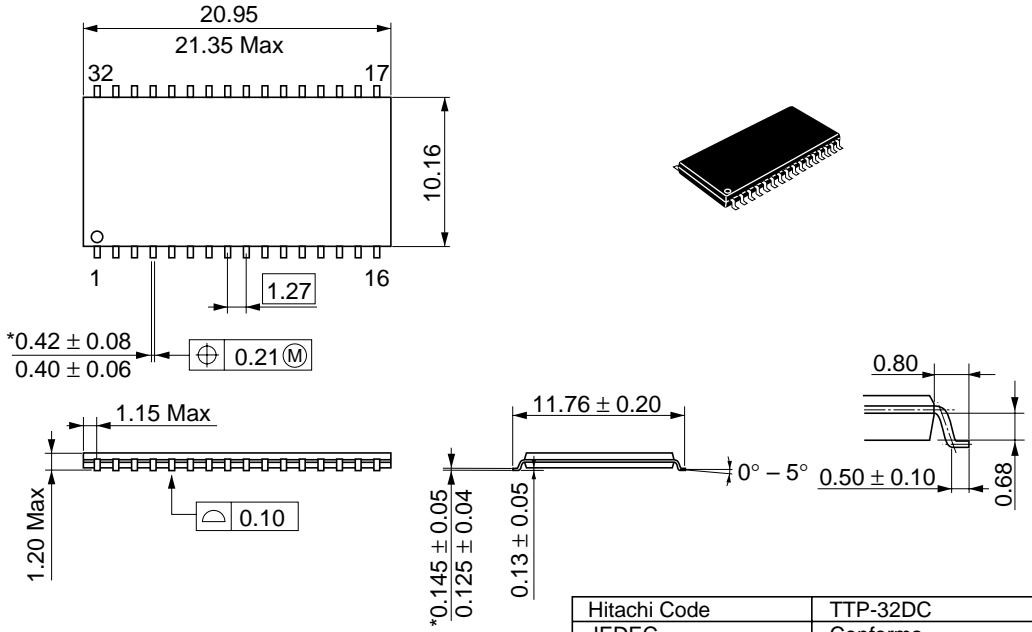


Dimension including the plating thickness
Base material dimension

Hitachi Code	CP-32DB
JEDEC	Conforms
EIAJ	Conforms
Weight (reference value)	1.2 g

HM62W1400HTT/HLTT Series (TTP-32DC)

Unit: mm



*Dimension including the plating thickness
Base material dimension

Hitachi Code	TTP-32DC
JEDEC	Conforms
EIAJ	—
Weight (reference value)	0.51 g

Cautions

1. Hitachi neither warrants nor grants licenses of any rights of Hitachi's or any third party's patent, copyright, trademark, or other intellectual property rights for information contained in this document. Hitachi bears no responsibility for problems that may arise with third party's rights, including intellectual property rights, in connection with use of the information contained in this document.
2. Products and product specifications may be subject to change without notice. Confirm that you have received the latest product standards or specifications before final design, purchase or use.
3. Hitachi makes every attempt to ensure that its products are of high quality and reliability. However, contact Hitachi's sales office before using the product in an application that demands especially high quality and reliability or where its failure or malfunction may directly threaten human life or cause risk of bodily injury, such as aerospace, aeronautics, nuclear power, combustion control, transportation, traffic, safety equipment or medical equipment for life support.
4. Design your application so that the product is used within the ranges guaranteed by Hitachi particularly for maximum rating, operating supply voltage range, heat radiation characteristics, installation conditions and other characteristics. Hitachi bears no responsibility for failure or damage when used beyond the guaranteed ranges. Even within the guaranteed ranges, consider normally foreseeable failure rates or failure modes in semiconductor devices and employ systemic measures such as fail-safes, so that the equipment incorporating Hitachi product does not cause bodily injury, fire or other consequential damage due to operation of the Hitachi product.
5. This product is not designed to be radiation resistant.
6. No one is permitted to reproduce or duplicate, in any form, the whole or part of this document without written approval from Hitachi.
7. Contact Hitachi's sales office for any questions regarding this document or Hitachi semiconductor products.

HITACHI

Hitachi, Ltd.

Semiconductor & IC Div.
Nippon Bldg., 2-6-2, Ohte-machi, Chiyoda-ku, Tokyo 100-0004, Japan
Tel: Tokyo (03) 3270-2111 Fax: (03) 3270-5109

URL NorthAmerica : <http://semiconductor.hitachi.com/>
Europe : <http://www.hitachi-eu.com/hel/ecg>
Asia (Singapore) : <http://www.has.hitachi.com.sg/grp3/sicd/index.htm>
Asia (Taiwan) : http://www.hitachi.com.tw/E/Product/SICD_Frame.htm
Asia (HongKong) : <http://www.hitachi.com.hk/eng/bo/grp3/index.htm>
Japan : <http://www.hitachi.co.jp/Sicd/indx.htm>

For further information write to:

Hitachi Semiconductor
(America) Inc.
2000 Sierra Point Parkway
Brisbane, CA 94005-1897
Tel: <1> (800) 285-1601
Fax: <1> (303) 297-0447

Hitachi Europe GmbH
Electronic components Group
Dornacher Straße 3
D-85622 Feldkirchen, Munich
Germany
Tel: <49> (89) 9 9180-0
Fax: <49> (89) 9 29 30 00
Hitachi Europe Ltd.
Electronic Components Group.
Whitebrook Park
Lower Cookham Road
Maidenhead
Berkshire SL6 8YA, United Kingdom
Tel: <44> (1628) 585000
Fax: <44> (1628) 778322

Hitachi Asia Pte. Ltd.
16 Collyer Quay #20-00
Hitachi Tower
Singapore 049318
Tel: 535-2100
Fax: 535-1533

Hitachi Asia Ltd.
Taipei Branch Office
3F, Hung Kuo Building, No.167,
Tun-Hwa North Road, Taipei (105)
Tel: <886> (2) 2718-3666
Fax: <886> (2) 2718-8180

Hitachi Asia (Hong Kong) Ltd.
Group III (Electronic Components)
7/F., North Tower, World Finance Centre,
Harbour City, Canton Road, Tsim Sha Tsui,
Kowloon, Hong Kong
Tel: <852> (2) 735 9218
Fax: <852> (2) 730 0281
Telex: 40815 HITEC HX

Copyright © Hitachi, Ltd., 1998. All rights reserved. Printed in Japan.

Revision Record

Rev.	Date	Contents of Modification	Drawn by	Approved by
0.0	Apr. 28, 1997	Initial issue	A. Ide	A. Ide
0.1	Nov. 20, 1997	Change of Subtitle	K. Makuta	K. Makuta
0.2	Dec. 5, 1997	Features Addition of Operating current Addition of TTL standby current Addition of CMOS standby current Addition of Data retention current Addition of Data retention voltage Change of Block Diagram Operation table Title: I/O to Dout Dout: Din to High-Z Absolute Maximum Ratings Change of notes Recommended DC Operatig Conditions Change of notes DC Characteristics I_{CC} (max): 240/200/190 mA to 160/140/120 mA I_{SB} (max): 100/100/100 mA to 70/60/50 mA I_{SB1} (max): 10/0.5 mA to 5/1 mA Testconditions I_{CC} and I_{SB} : Addition of Min cycle Testconditions I_{SB1} : Addition of $f = 0$ MHz Chapacitance Addition of C_{DIN} Input/output capacitance: $C_{I/O}$ to C_{DOUT} AC Characteristics Change of Output load (A) t_{OE} , t_{CHZ} and t_{OHZ} (max): 5/6/8 ns to 5/6/7 ns t_{AW} , t_{CW} and t_{WP} (min): 6/8/10 ns to 7/8/10 ns t_{DW} (min): 5/6/8 ns to 5/6/7 ns t_{OHZ} and t_{WHZ} (max): 5/6/8 ns to 5/6/7 ns Note 4.: Correct error Low V_{CC} Data Retention Characteristics I_{CCDR} : $-/2/300$ μ A to $-/—/300$ μ A	T. Fukazawa	K. Makuta
0.3	May. 15, 1998	Features Change of Operating current Change of Block Diagram DC Characteristics I_{CC} (max): 170/150/130 mA to 200/180/160 mA	T. Fukazawa	K. Makuta
1.0	Sep. 15, 1998	Delete of HM62W1400H-10 Series Features Change of Data retention current DC Characteristics I_{SB1} (typ): $-/—$ mA to 0.05/0.05 mA Low V_{CC} Data Retention Characteristics I_{CCDR} : $-/—/300$ μ A to $-/40/600$ μ A	T. Fukazawa	K. Makuta

HM62W1400H Series

Rev.	Date	Contents of Modification	Drawn by	Approved by
2.0	Nov. 11, 1998	Addition of TTP-32DC Ordering Information Addition of HM62W1400HTT/ HM62W1400HLTT Series		
