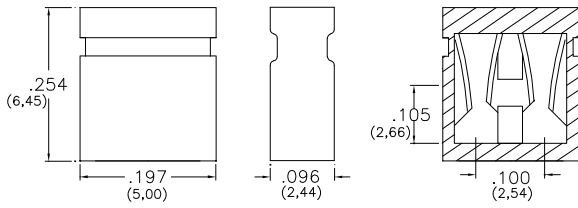
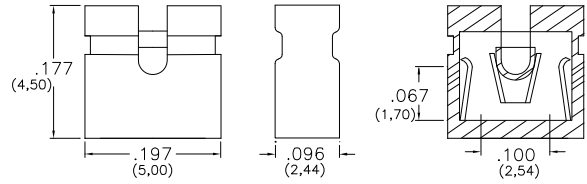


Major League Electronics .100 cl Shunts

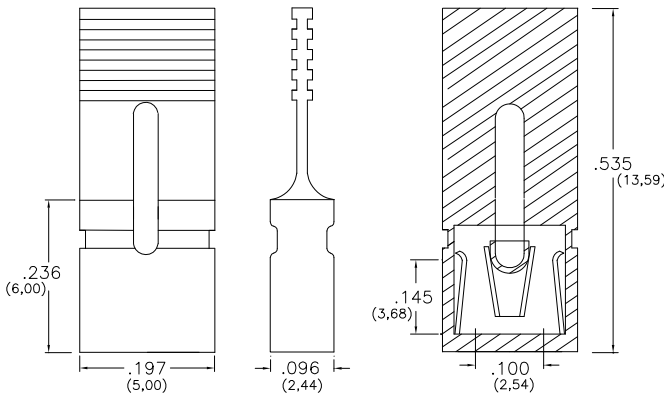
03 SERIES
High Profile
High Insertion



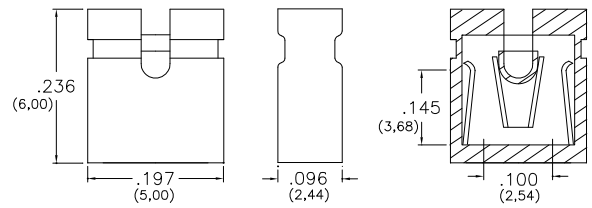
01 SERIES
Low Profile
Low Insertion



04 SERIES
High Profile
High Insertion
Handle Option



02 SERIES
High Profile
Low Insertion



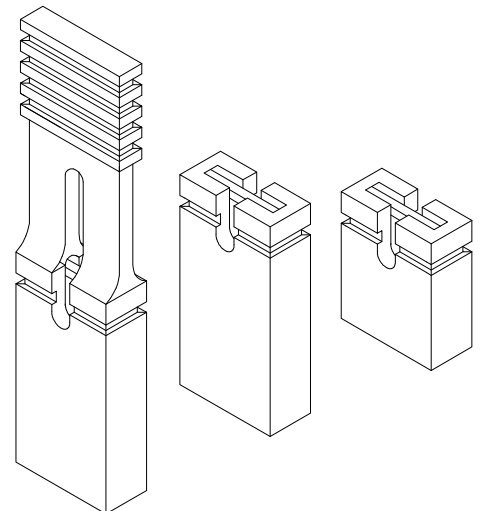
Ordering Information

SH-1 X - XX - LF

Lead Free

Shunt Style		
01	01 Series	Low Profile, Low Insertion
02	02 Series	High Profile, Low Insertion
03	03 Series	High Profile, High Insertion
04	04 Series	High Profile, High Insertion, Handle Option

Plating Options	
G	- 10µ Gold on Contact area/Flash on Tail
F	- Gold Flash over Entire Pin
T	- Matte Tin all Over



Specifications

Current Rating: 3.0 Ampere
 Insulation Resistance: 1000MΩ Min.
 Dielectric Withstanding: 600V AC
 Contact Resistance: 20 mΩ Max.
 Operating Temperature: -40°C to + 105°C
 Max. Process Temperature:
 Peak: 260°C up to 10 secs.
 Process: 230°C up to 60 secs.
 Wave: 260°C up to 6 secs.
 Manual Solder: 350°C up to 5 secs.

Materials

Contact Material: Phosphor Bronze
 Insulator Material: Nylon 6T

Mates will all .025" square Pin .100 centerline header products

Products cut to specific sizes are uncancellable/nonreturnable

Parts are subject to change without notice

SH-1 SERIES

.100 cl Shunts

17 JAN 07

Scale
NTS

UNLESS OTHERWISE SPECIFIED
DIMENSIONS IN INCHES (MM)
TOLERANCES ARE:

ONE PLACE DECIMALS ±.100
TWO PLACE DECIMALS ±.010
THREE PLACE DECIMALS ±.005
FOUR PLACE DECIMALS ±.0020

ANGLES
±5°



4235 Earnings Way, New Albany, Indiana, 47150, USA
 1-800-782-3486 (USA/Canada/Mexico)
 Tel: 812-944-7244
 Fax: 812-944-7268
 E-mail: mle@mlelectronics.com
 Web: www.mlelectronics.com

Revision
D

Sheet
1/2

Revisions

Revision B - (14th Feb 2008)

Plating options added to ordering grid

Revision C - (20th Mar 2008)

Amendment to selection for 'Shunt Style' options in ordering grid,
now labelled as: 01, 02, 03, 04

previous version: 01, 02, 02-H, 03

Revision D - (13th Nov 2009)

Amendment to the height for the 03 style shunt/
now labelled as: .254" (6.45mm)

previous version: .220" (5.59mm)

SH-1 SERIES

.100 cl Shunts

17 JAN 07

Scale
NTS

UNLESS OTHERWISE SPECIFIED
DIMENSIONS IN INCHES (MM)
TOLERANCES ARE:

ONE PLACE DECIMALS ±.100
TWO PLACE DECIMALS ±.010
THREE PLACE DECIMALS ±.005
FOUR PLACE DECIMALS ±.0020

ANGLES
±3°



4235 Earnings Way, New Albany, Indiana, 47150, USA
1-800-782-3486 (USA/Canada/Mexico)

Tel: 812-944-7244

Fax: 812-944-7268

E-mail: mle@mlelectronics.com

Web: www.mlelectronics.com

Revision
D

Sheet
2/2