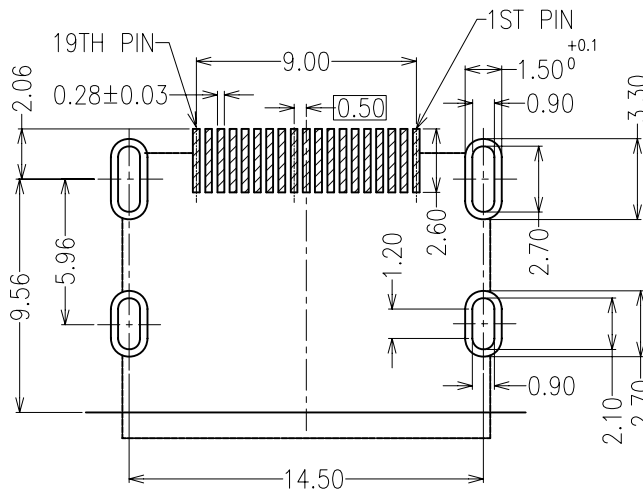
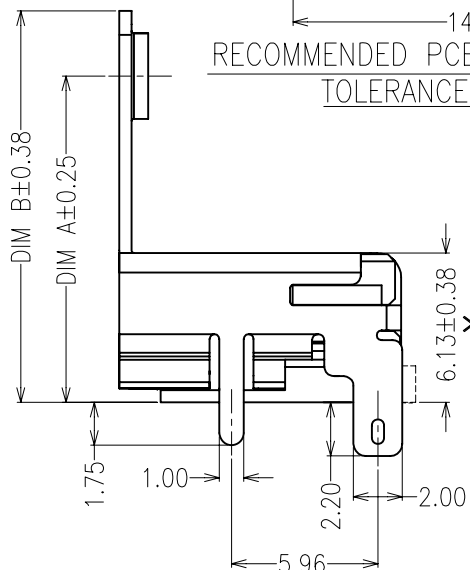


NOTES: ALL DIMENSIONS AND NOTES MARKED \* ARE CRITICAL AND MUST BE CHECKED IN ACCORDANCE WITH QUALITY DOC. Q1-02A



RECOMMENDED PCB LAYOUT (T=1.6 ± 0.15)  
TOLERANCE ± 0.05 mm



SPECIFICATIONS:

MATERIAL:-  
HOUSING: HIGH TEMP. THERMOPLASTIC, UL94V-0, COLOR: BLACK  
TERMINAL: COPPER ALLOY, T=0.2mm  
SHELL: COPPER ALLOY, T=0.5mm  
FINISH:-  
TERMINAL: SELECTIVE Au IN CONTACT  
Sn IN SOLDER TAIL AREA  
SHELL: WELDABLE NI PLATED

TYPE	DIM A	DIM B	DIM C	DIM D
A (W/O POLE)	11.28	14.25	11.60	11.60
B (W/O POLE)	13.38	16.05	12.15	12.00
A (W/ POLE)	11.28	14.25	12.15	12.00
B (W/ POLE)	13.38	16.05	11.60	11.60

ORDER CODE  
M712-32 X 1942R

- 0: NORMAL TYPE A W/O PLASTIC POLE
- 1: NORMAL TYPE B W/O PLASTIC POLE
- 2: HOOK TYPE A W/O PLASTIC POLE
- 3: HOOK TYPE B W/O PLASTIC POLE
- 4: NORMAL TYPE A WITH PLASTIC POLE
- 5: NORMAL TYPE B WITH PLASTIC POLE
- 6: HOOK TYPE A WITH PLASTIC POLE
- 7: HOOK TYPE B WITH PLASTIC POLE

Allan	2	30.06.09	A212
Allan	1	27.09.06	-
NAME	ISS.	DATE	C/NOTE
APPROVED: <i>[Signature]</i>			
CHECKED: <i>[Signature]</i>			
DRAWN: Allan			
CUSTOMER REF.:			
ASSEMBLY DRG:			

**HARWIN**

HARWIN USA  
TEL: 603 893 5376  
FAX: 603 893 5396  
mis@harwin.com

HARWIN Europe (UK)  
TEL: 023 9231 4545  
FAX: 023 9231 4590  
mis@harwin.co.uk

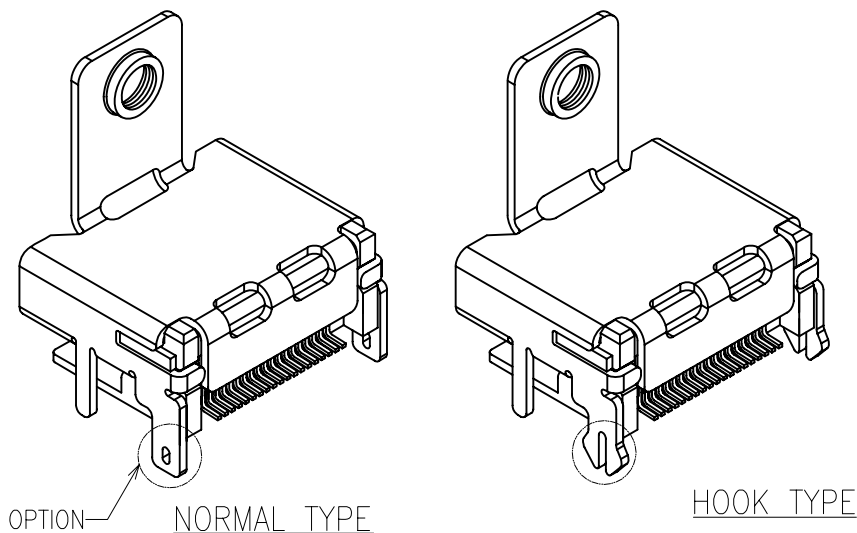
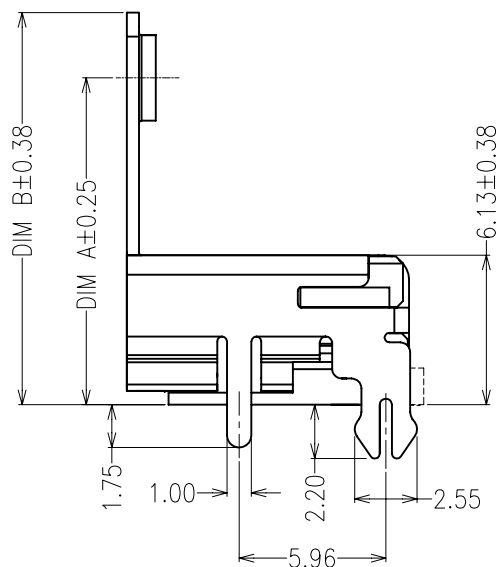
HARWIN Asia  
TEL: +65 6 779 4909  
FAX: +65 6 779 3868  
mis@harwin.com.sg

THIS DRAWING AND ANY INFORMATION OR DESCRIPTIVE MATTER SET OUT HEREON ARE CONFIDENTIAL AND COPYRIGHT PROPERTY OF THE HARWIN GROUP AND MUST NOT BE DISCLOSED, LOANED, COPIED OR USED FOR MANUFACTURING, TENDERING OR FOR ANY OTHER PURPOSE WITHOUT THEIR WRITTEN PERMISSION.

TOLERANCES  
X.X = ±0.25mm  
UNLESS OTHERWISE SPECIFIED  
ANGLES = ±3°  
UNLESS STATED

MATERIAL: SEE NOTES  
FINISH: SEE NOTES  
S/AREA: mm<sup>2</sup>

TITLE: HDMI CONNECTOR R/A SMT WITH SCREW HOLE  
DRAWING NUMBER: M712-32 X 1942R



## ORDER CODE

M712-32 X 1942R

- 0: NORMAL TYPE A W/O PLASTIC POLE
- 1: NORMAL TYPE B W/O PLASTIC POLE
- 2: HOOK TYPE A W/O PLASTIC POLE
- 3: HOOK TYPE B W/O PLASTIC POLE
- 4: NORMAL TYPE A WITH PLASTIC POLE
- 5: NORMAL TYPE B WITH PLASTIC POLE
- 6: HOOK TYPE A WITH PLASTIC POLE
- 7: HOOK TYPE B WITH PLASTIC POLE

Allan	2	30.06.09	A212
Allan	1	27.09.06	-
NAME	ISS.	DATE	C/NOTE

APPROVED:

CHECKED:

DRAWN: Allan

CUSTOMER REF.:

ASSEMBLY DRG:

# HARWIN

HARWIN USA  
TEL: 603 893 5376  
FAX: 603 893 5396  
mis@harwin.com

HARWIN Europe (UK)  
TEL: 023 9231 4545  
FAX: 023 9231 4590  
mis@harwin.co.uk

HARWIN Asia  
TEL: +65 6 779 4909  
FAX: +65 6 779 3868  
mis@harwin.com.sg

THIS DRAWING AND ANY  
INFORMATION OR DESCRIPTIVE  
MATTER SET OUT HEREON ARE  
CONFIDENTIAL AND COPYRIGHT  
PROPERTY OF THE HARWIN  
GROUP AND MUST NOT BE  
DISCLOSED, LOANED, COPIED  
OR USED FOR MANUFACTURING,  
TENDERING OR FOR ANY  
OTHER PURPOSE WITHOUT  
THEIR WRITTEN PERMISSION.

TOLERANCES  
X.X = ±0.25mm  
UNLESS OTHERWISE  
SPECIFIED

ANGLES = ±3°  
UNLESS STATED

MATERIAL:

SEE NOTES

FINISH:

SEE NOTES

S/AREA:

mm<sup>2</sup>

TITLE:

HDMI CONNECTOR R/A SMT  
WITH SCREW HOLE

DRAWING NUMBER:

M712-32 X 1942R

SHT  
2  
OF  
2