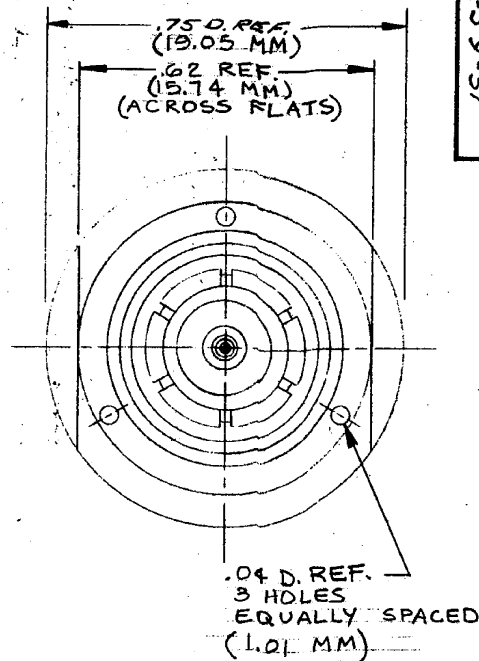
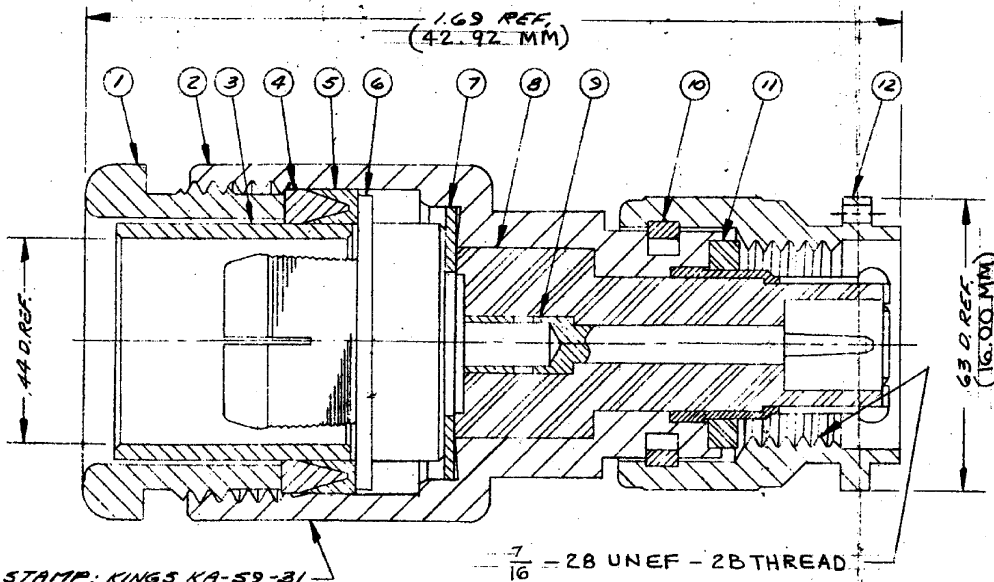


DASH NO.	DESCRIPTION	MADE FROM
----------	-------------	-----------



STAMP: KINGS KA-59-31

NOTES:

1. FOR USE WITH RG-9 & 214/U CABLE.
2. FOR CABLING INSTRUCTIONS SEE CP-209A.
3. FOR CABLE TRIMMING USE KTI-245 KTD-81.
4. FOR CRIMPING USE DIE SIZE D4.
5. MARK PACKAGE: KINGS KA-59-31
XXXX (DATE CODE)

ITEM	REQ'D	DESCRIPTION	PART NO.
12	1	COUPLING NUT	
11	1	GASKET	
10	1	C-RING	
9	1	TNC CRIMP CONTACT M.	A-59-31-1-M07
8	1	INSULATOR	
7	1	WASHER	571-5-MC7
6	1	K-GRIP	5-89-35-T-MC7
5	1	GASKET	571-3-M99
4	1	GLAND	5-89-35-9-MC7
3	1	K-GRIP SLEEVE	5-89-24-2-MC7
2	1	BODY ASS'Y	A-51-11-2-MC7
1	1	CLAMP NUT	5-89-35-5-MC7

UNLESS OTHERWISE SPECIFIED:

1. TOLERANCES: FRACTIONS & 2 PLACE DECIMALS ± .010
3 PLACE DECIMALS ± .004
T. I. R. CONCENTRICITY OF ANY 2 DIAMETERS MAY NOT EXCEED HALF THE SUM OF THEIR TOLERANCES.
2. REMOVE ALL BURRS, BREAK SHARP EDGES .005 MAX.
3. NO FILLETS PERMITTED.
4. SURFACE ROUGHNESS 63 MICROINCHES RMS MAX.
5. ALL DIMENSIONS PRIOR TO PLATING.

REVISIONS

ISSUE	CHANGES
9	CN 14433A JL 17 APR 75
10	CN 14454A JL 2 MAY 75
11	CN 15772A JHP 3 MAY 76
12	CN 25101C GJG 16 SEP 83
13	CN 31044 C KH 9 AUG 89

KA-59-31

USED ON:

REF:

FINISH

SPEC. KER 10004

MATL.

SPEC.

TNC PLUG

DRAWN JL DATE 16 APR 75

APPR. IB DATE 2 MAY 75

KINGS ELECTRONICS
40 MARBLEDALE ROAD
TUCKAHOE, N. Y. 10702

KA-59-31 S-D