

PLEASE CHECK WWW.MOLEX.COM FOR LATEST PART INFORMATION

Part Number: [0554470570](#)
Status: **Active**
Description: 1.25mm (.049") Pitch Mi II™ System Wire-to-Board Header, Single Row, Vertical, with Positive Lock, Lead-free, 5 Circuits

Documents:

[3D Model](#) [Product Specification PS-54596-021 \(PDF\)](#)
[Drawing \(PDF\)](#) [RoHS Certificate of Compliance \(PDF\)](#)
[Product Specification PS-54596-018 \(PDF\)](#)

General

| | |
|----------------|-----------------------|
| Product Family | PCB Headers |
| Series | 55447 |
| Application | Wire-to-Board |
| Product Name | Mini Mi II™ |

Physical

| | |
|--------------------------------|-----------------|
| Breakaway | No |
| Circuits (Loaded) | 5 |
| Circuits (maximum) | 5 |
| Color - Resin | Natural |
| Durability (mating cycles max) | 30 |
| First Mate / Last Break | No |
| Glow-Wire Compliant | No |
| Guide to Mating Part | No |
| Keying to Mating Part | None |
| Lock to Mating Part | Yes |
| Material - Plating Mating | Tin |
| Material - Plating Termination | Tin |
| Material - Resin | Nylon |
| Number of Rows | 1 |
| Orientation | Vertical |
| PC Tail Length (in) | 0.118 In |
| PC Tail Length (mm) | 3.00 mm |
| PCB Locator | Yes |
| PCB Retention | Yes |
| PCB Thickness Recommended (in) | 0.062 In |
| PCB Thickness Recommended (mm) | 1.60 mm |
| Packaging Type | Tray |
| Pitch - Mating Interface (in) | 0.049 In |
| Pitch - Mating Interface (mm) | 1.25 mm |
| Polarized to Mating Part | Yes |
| Shrouded | Fully |
| Stackable | No |
| Surface Mount Compatible (SMC) | No |
| Temperature Range - Operating | -40°C to +105°C |
| Termination Interface: Style | Through Hole |

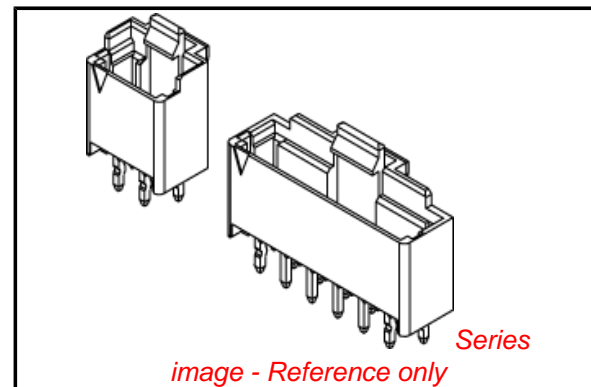
Electrical

| | |
|-------------------------------|------|
| Current - Maximum per Contact | 1.5A |
| Voltage - Maximum | 100V |

Material Info

Reference - Drawing Numbers

| | |
|-----------------------|---|
| Product Specification | PS-54596-018, PS-54596-021, RPS-54596-024 |
| Sales Drawing | SD-55447-010 |



EU RoHS

**ELV and RoHS
Compliant**
REACH SVHC
 Not Reviewed
**Halogen-Free
Status**

China RoHS



**Need more information on product
environmental compliance?**

Email productcompliance@molex.com
 For a multiple part number RoHS Certificate of Compliance, [click here](#)

Please visit the [Contact Us](#) section for any non-product compliance questions.

Search Parts in this Series

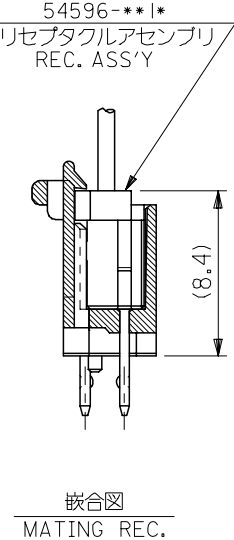
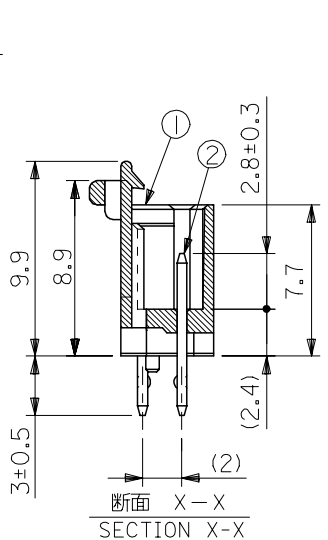
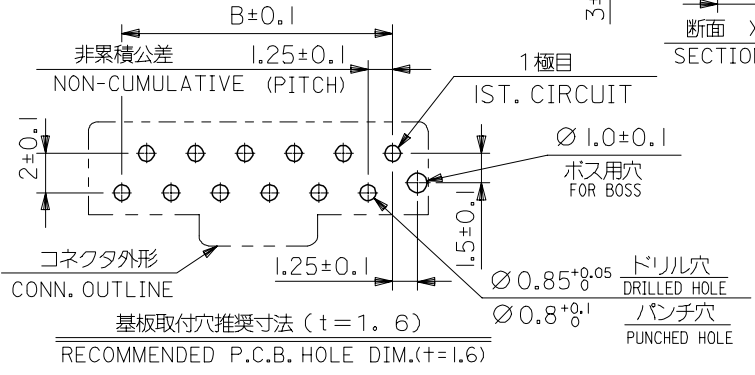
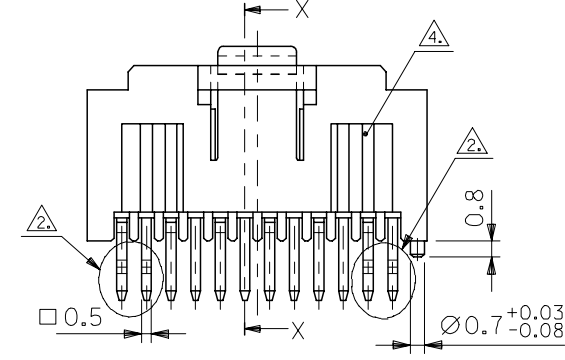
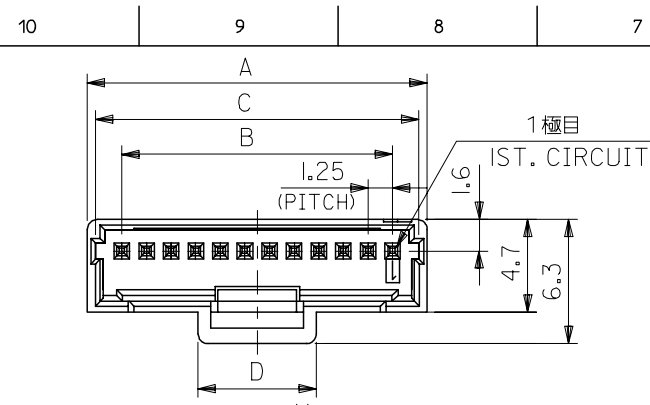
[55447Series](#)

Mates With

[51336](#) PBT Polyester, Glass-filled Housing.
[54596](#) PA Polyamide Housing

This document was generated on 04/16/2010

PLEASE CHECK WWW.MOLEX.COM FOR LATEST PART INFORMATION



| 番号 NO. | 名称 NAME | 原料 MATERIAL | 数量 QTY | 仕上げ FINISH |
|--------|------------|-------------|--------|-------------------|
| ① | ウエハー WEFAR | ナイロン NYLON | 1 | UL94V-0 |
| ② | ピン PIN | 黄銅 BRASS | N | 全体鍍メッキ PRE-TINNED |

注) NOTES 1. 原料および仕上げ: 表参照
 MATERIAL AND FINISH: SEE CHART
 △ キングは、両サイド4ピンに適用。(4極品までは、全極に適用) TO BE APPLICABLE 4 PIN OF BOTH SIDE.
 △ 製品番号 MATERIAL NO. 55447-***7*
 極数 CIRCUIT SIZE (02 ~ 20)
 メッキ仕様: 無鉛 PLATING: LEAD FREE
 色 COLOR 0: 自然色 NATURAL
 2: 赤 RED, 3: 黄 YELLOW

△ 側面の溝は、10極以上に適用。
 SIDE DITCHES MUST BE APPLICABLE OVER 10 CIRCUIT SIZE.

| | | | | | |
|------|-------|-------|-------|-----------------|-------------------|
| 6 | 26.4 | 23.75 | 27.25 | 20 | 55447-207* |
| | 25.15 | 22.5 | 26 | 19 | -197* |
| | 23.9 | 21.25 | 24.75 | 18 | -187* |
| | 22.65 | 20 | 23.5 | 17 | -177* |
| | 21.4 | 18.75 | 22.25 | 16 | -167* |
| | 20.15 | 17.5 | 21 | 15 | -157* |
| | 18.9 | 16.25 | 19.75 | 14 | -147* |
| | 17.65 | 15 | 18.5 | 13 | -137* |
| | 16.4 | 13.75 | 17.25 | 12 | -127* |
| | 15.15 | 12.5 | 16 | 11 | -117* |
| 4.75 | 13.9 | 11.25 | 14.75 | 10 | -107* |
| | 12.65 | 10 | 13.5 | 9 | -097* |
| | 11.4 | 8.75 | 12.25 | 8 | -087* |
| | 10.15 | 7.5 | 11 | 7 | -077* |
| | 8.9 | 6.25 | 9.75 | 6 | -067* |
| D | 7.65 | 5 | 8.5 | 5 | -057* |
| | 6.4 | 3.75 | 7.25 | 4 | -047* |
| | 5.15 | 2.5 | 6 | 3 | -037* |
| | 3.9 | 1.25 | 4.75 | 2 | 55447-027* |
| | | | | 極数 CIRCUIT SIZE | 製品番号 MATERIAL NO. |
| | | | | MODEL NO. | 55447-***7* |

| | | | | | | | | | |
|--|---|---------------------------------------|---|----------------------------|-------------------|--|------------------------|------------------------|--|
| REVISED EC NO: J2006-0438 DRW: NABEI CHK: KATOYODA APP: NUKITA | DESCRIPTION 2005/08/08 2005/08/09 2005/08/19 | GENERAL TOLERANCES (UNLESS SPECIFIED) | | DIMENSION STYLE MM ONLY | | SCALE 4:1 | DESIGN UNITS METRIC | THIRD ANGLE PROJECTION | |
| | | 10 UNDER | ±0.2 | DRAWN BY N. YOSHIDA | DATE '03/02/07 | TITLE MINI M12 1-ROW WAFER ASS'Y (SN) -LEAD FREE- | | | |
| | | 10 OVER 30 UNDER | ±0.25 | CHECKED BY M. YAGI | DATE '03/02/07 | MOLEX MOLEX INCORPORATED | | | |
| | | 30 OVER | ±0.3 | APPROVED BY Y. ITO | DATE '03/02/07 | | | | |
| | | ANGULAR | ±3 ° | MATERIAL NO. SEE CHART | | DOCUMENT NO. SD-55447-010 | SHEET NO. 1 OF 2 | | |
| DRAFT WHERE APPLICABLE MUST REMAIN WITHIN DIMENSIONS | | SIZE A3 | THIS DRAWING CONTAINS INFORMATION THAT IS PROPRIETARY TO MOLEX INCORPORATED AND SHOULD NOT BE USED WITHOUT WRITTEN PERMISSION | | | | | | |

10 9 8 7 6 5 4 3 2 1

F

E

D

C

B

A

F

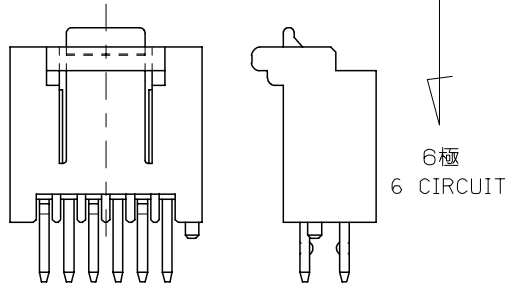
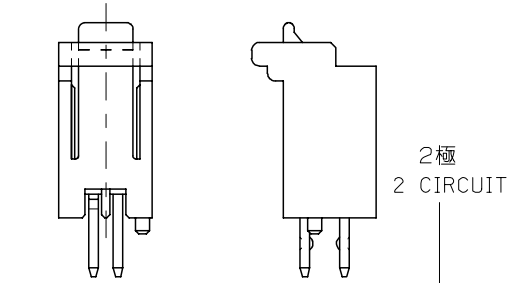
E

D

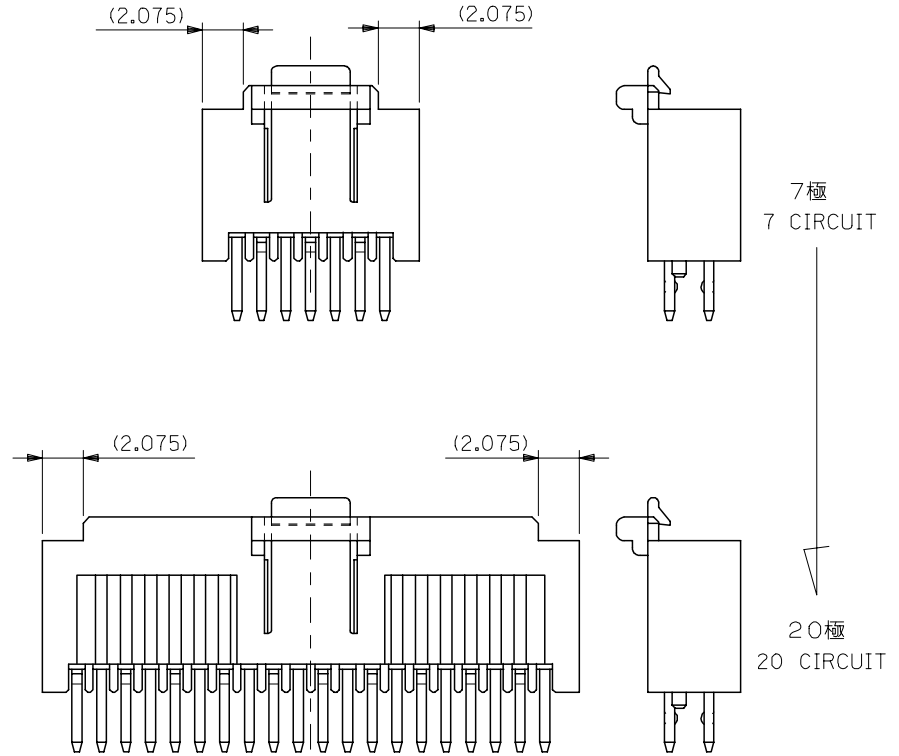
C

B

A



2極~6極のハウジング形状
SHAPE OF HS'G FROM 2 TO 6 CIRCUIT



7極~20極のハウジング形状
SHAPE OF HS'G FROM 7 TO 20 CIRCUIT

| | | | | | | | | |
|---|---------------------------------------|-------|--|-------------------|--|------------------------------|---------------------------|--|
| REVISED EC NO: J2006-0438 DRWN: NABEI 2005/08/08 CHKDK: TOYODA 2005/08/09 APPR: NUKITA 2005/08/19 | GENERAL TOLERANCES (UNLESS SPECIFIED) | | DIMENSION STYLE MM ONLY | | SCALE 4:1 | DESIGN UNITS METRIC | THIRD ANGLE PROJECTION | |
| | 10 UNDER | ±0.2 | DRAWN BY N. YOSHIDA | DATE '03/02/07 | TITLE MINI M12 1-ROW WAFER ASS'Y (SN) -LEAD FREE- MOLEX INCORPORATED | | | |
| | 10 OVER 30 UNDER | ±0.25 | CHECKED BY M. YAGI | DATE '03/02/07 | | | | |
| | 30 OVER | ±0.3 | APPROVED BY Y. ITO | DATE '03/02/07 | | | | |
| | ANGULAR ±3 ° | | DRAFT WHERE APPLICABLE MUST REMAIN WITHIN DIMENSIONS | | MATERIAL NO. SEE CHART | DOCUMENT NO. SD-55447-010 | SHEET NO. 2 OF 2 | |
| SIZE A3 THIS DRAWING CONTAINS INFORMATION THAT IS PROPRIETARY TO MOLEX INCORPORATED AND SHOULD NOT BE USED WITHOUT WRITTEN PERMISSION | | | | | | | | |

9

8

7

6

5

4

3

2