

PLEASE CHECK WWW.MOLEX.COM FOR LATEST PART INFORMATION

Part Number: [0194290041](#)
Status: **Active**
Overview: [mx150l sealed connector system](#)
Description: MX150L™ 2 Circuit Panel Mount Plug for 14-22 AWG Wire, Through Hole Flange Assembly, with Gasket

Documents:

[3D Model](#) [Product Specification PS-19417-001 \(PDF\)](#)
[Drawing \(PDF\)](#) [RoHS Certificate of Compliance \(PDF\)](#)

Agency Certification

CSA LR18689
 UL E152602

General

Product Family Crimp Housings
 Series [19429](#)
 Comments For Outside or Inside Panel Mount Application
 MolexKits Yes
 Overview [mx150l sealed connector system](#)
 Product Literature Order No 987650-2181
 Product Name MX150L™

Physical

Circuits (maximum) 2
 Flammability 94V-0
 Gender Male
 Glow-Wire Compliant No
 Lock to Mating Part Yes
 Number of Rows 1
 Packaging Type Bag
 Panel Mount Yes
 Pitch - Mating Interface (in) 0.230 In
 Pitch - Mating Interface (mm) 5.84 mm
 Polarized to Mating Part Yes
 Stackable No
 Temperature Range - Operating -40°C to +125°C

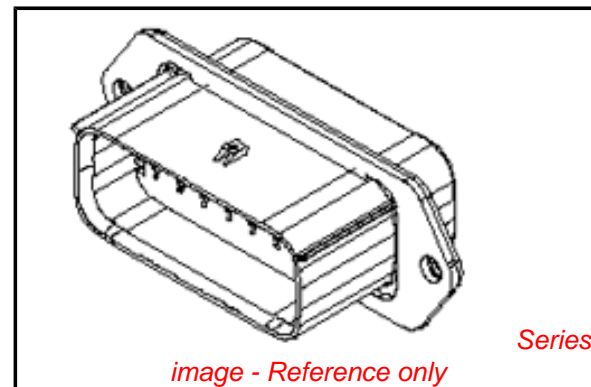
Electrical

Current - Maximum per Contact 18A

Material Info

Reference - Drawing Numbers

Packaging Specification PK-19429-001
 Product Specification PS-19417-001
 Sales Drawing SD-19429-009



EU RoHS

ELV and RoHS Compliant
REACH SVHC
 Not Reviewed
Halogen-Free Status
 Not Reviewed

China RoHS



Need more information on product environmental compliance?

Email productcompliance@molex.com
 For a multiple part number RoHS Certificate of Compliance, [click here](#)

Please visit the [Contact Us](#) section for any non-product compliance questions.

Search Parts in this Series

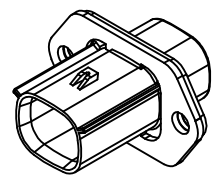
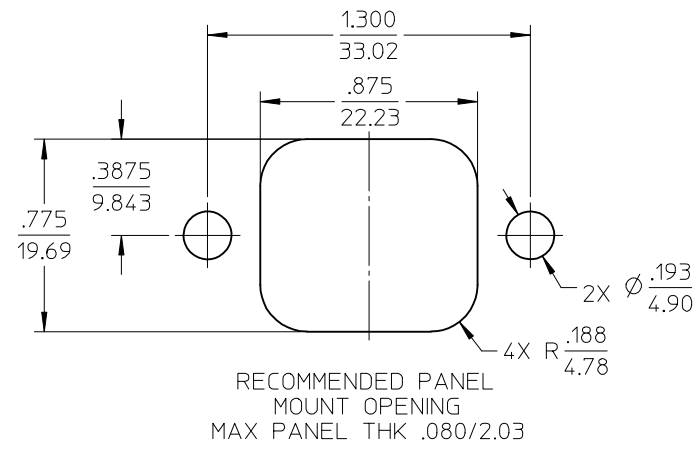
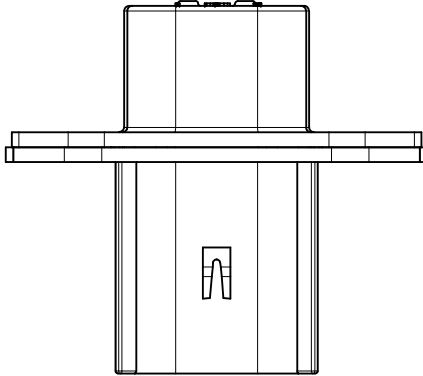
[19429Series](#)

Mates With

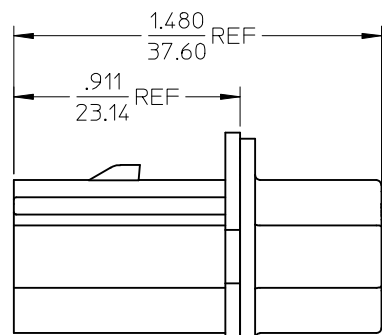
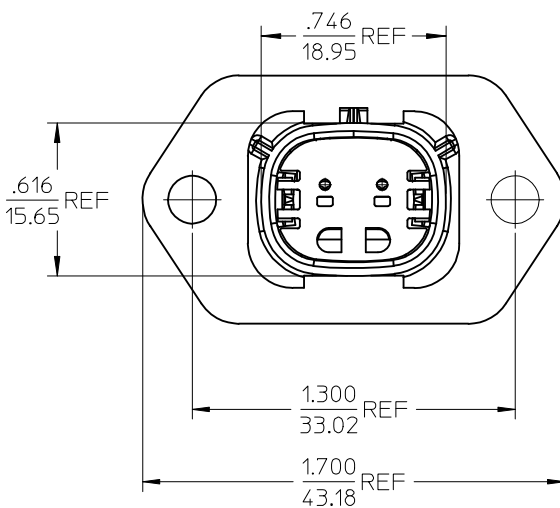
[19418 Receptacle Assemblies](#)

Use With

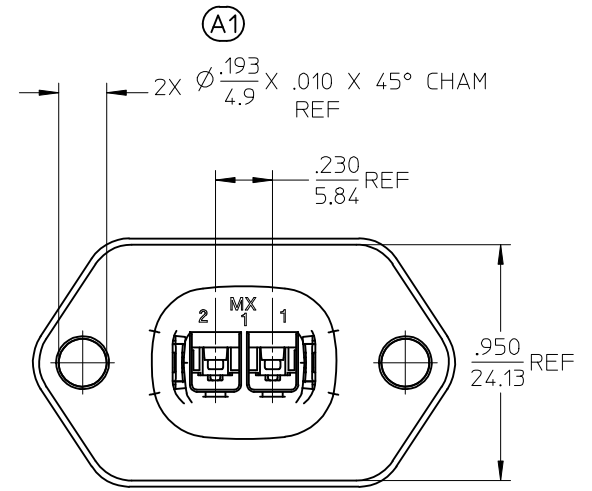
[19417 Male Crimp Terminals](#)



ASSEMBLED VIEW
SCALE 1:1



GASKET
194270025



- NOTES:
1. ASSEMBLY BULK PACKAGED PER PK-19429-001.
 2. USE CONNECTOR WITH MALE CRIMP TERMINAL: SERIES 19417.
 3. PLUG PANEL MOUNT ASSEMBLY DESIGNED TO MATE TO 19418 SERIES RECEPTACLE ASSEMBLIES.

194290041	YES
194290026	NO
MATERIAL NUMBER	GASKET

UPDATED THRU HOLE DIMENSION EC NO: WNA2009-0790 DRWN: WLEUNG 2009/05/26 CHKD: RDEROSS 2009/06/05 APPR: RDEROSS 2009/06/10	QUALITY SYMBOLS	GENERAL TOLERANCES (UNLESS SPECIFIED)	SCALE 2:1	DESIGN UNITS INCH	THIRD ANGLE PROJECTION	REVISE ON CAD ONLY
	▽ -0 ∇ -0	4 PLACES ± --- ± --- 3 PLACES ± --- ± .015 2 PLACES ± 0.38 ± --- 1 PLACE ± --- ± ---	DIMENSION STYLE IN/MM		TITLE	
		ANGULAR ± 1° DRAFT WHERE APPLICABLE MUST REMAIN WITHIN DIMENSIONS	DRAWN BY DMYRICK DATE 2004/07/15 CHECKED BY JPAWLICK DATE 2004/07/15 APPROVED BY RDEROSS DATE 2004/07/15	2-WAY PLUG PANEL MOUNT ASSEMBLY W/O BOSS 22-14 AWG		MOLEX INCORPORATED
	A1				MATERIAL NO. SEE CHART	DOCUMENT NO. SD-19429-009

THIS DRAWING CONTAINS INFORMATION THAT IS PROPRIETARY TO MOLEX INCORPORATED AND SHOULD NOT BE USED WITHOUT WRITTEN PERMISSION