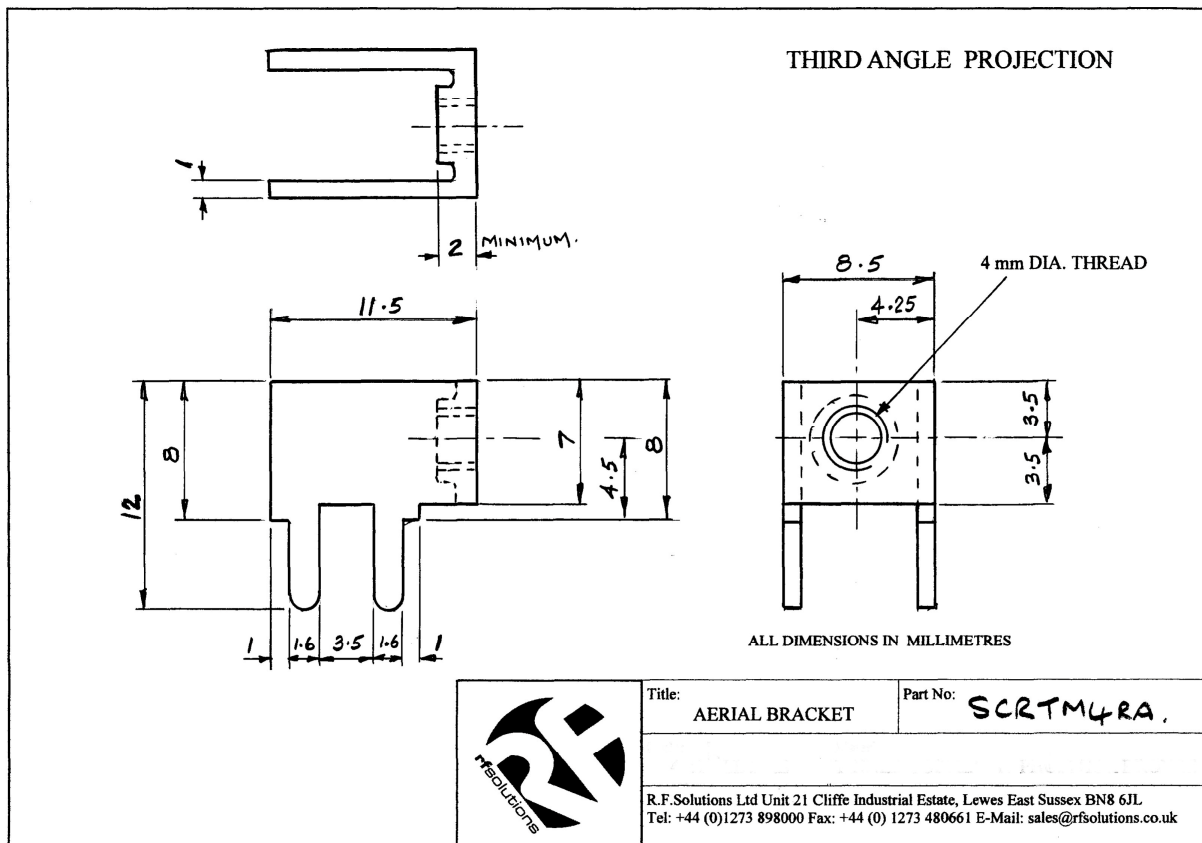
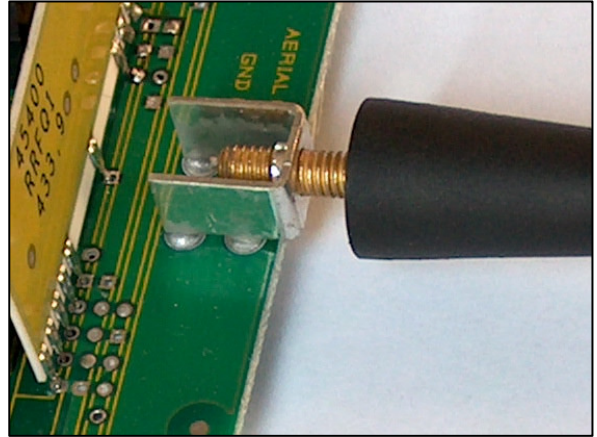
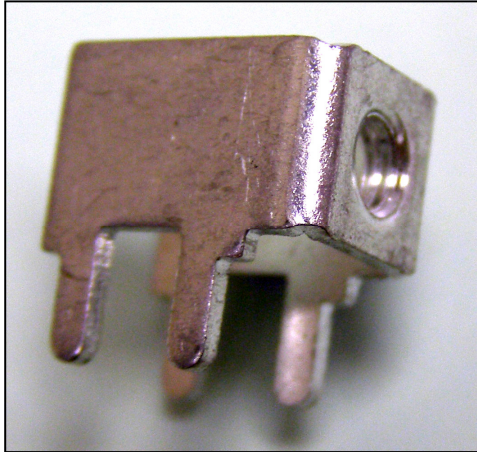




M4 PCB Mount Terminal 'SCRTM4RA'

The SCRTM4RA is a PCB mounting terminal providing a simple method of attaching a low cost 4mm Screw thread antenna to a PCB



R F Solutions Ltd.,
 Unit 21, Cliffe Industrial Estate,
 Lewes, E. Sussex. BN8 6JL. England.

Email : sales@rfsolutions.co.uk <http://www.rfsolutions.co.uk>

Tel: +44 (0)1273 898 000 Fax: +44 (0)1273 480 661

