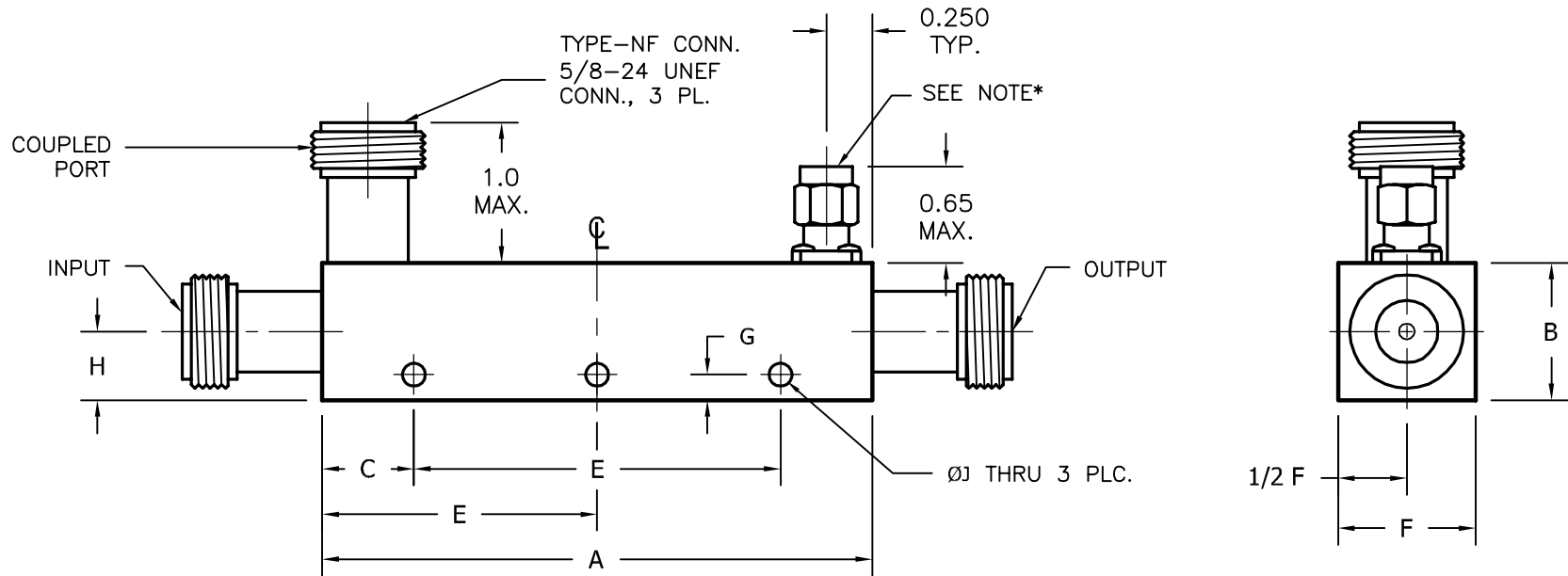


REV A	AUTH RL	DATE 8/8/01	INITIAL RELEASE
B	RL	08/24/07	TITLE BLOCK UPDATED, TERMINATION NOTES ADDED.



DIMENSIONS IN INCHES									
FIG.	A	B	C	D	E	F	G	H	J
1	3.10	0.50	0.80	1.50	---	0.50	0.08	0.22	0.28
2	3.10	0.55	0.80	1.50	---	0.50	0.08	0.22	0.25
3	2.00	0.75	0.50	1.00	---	0.75	0.14	0.38	0.40
4	1.16	0.69	0.41	0.34	---	0.75	0.14	0.35	0.25
5	1.00	0.50	---	---	0.50	0.40	0.08	0.22	0.25
6	1.00	0.55	---	---	0.50	0.40	0.08	0.22	0.25

*NOTE: SECONDARY TERMINATION CAN BE INTERNAL OR EXTERNAL DEPENDING ON MODEL AND SHOULD NOT BE REMOVED. FOR CONNECTORIZED LOADS CONSULT FACTORY.

THIRD ANGLE PROJECTION:		APPROVALS	DATE		ADVANCED TECHNICAL MATERIALS, INC. TEL: (631) 289-0363 FAX: (631) 289-0358 www.atmmicrowave.com		THE INFORMATION IN THIS DRAWING IS PROPRIETARY AND SHALL NOT BE USED OR DISCLOSED WITHOUT THE PRIOR WRITTEN CONSENT OF ATM, INC. DO NOT SCALE DWG.
UNLESS OTHERWISE NOTED, DIMENSIONS ARE IN INCHES, TOLERANCES ARE: FRACTIONS: ±1/64 ANGLES: ±1/2°		DRAWN RL	08/09/01		OUTLINE, DIRECTIONAL COUPLER, TYPE-N, MULTI-BAND		
BASIC DIMENSION	DECIMALS 2 PLACE 3 PLACE	APRVD.		SIZE A	CAGE CODE OR8N4	ATM DWG # 4518W	REVISION B
UNDER 6"	±.02 ±.005	MATERIAL -		SCALE	NONE	MODEL # C22XX-XX	SHEET 1/1
6" - 12"	±.03 ±.010	TREATMENT -					
OVER 12"	±.06 ±.015	FINISH ATM STD. GRAY					