

Specification

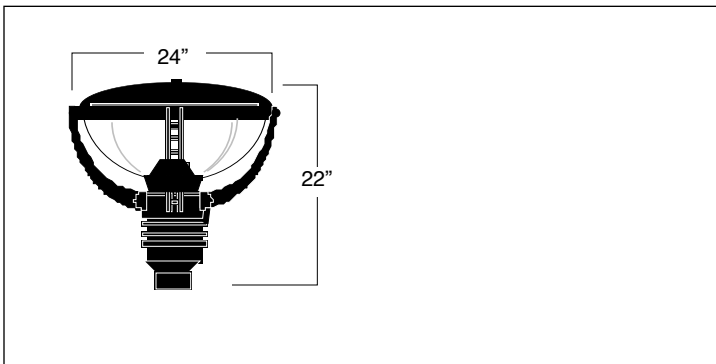
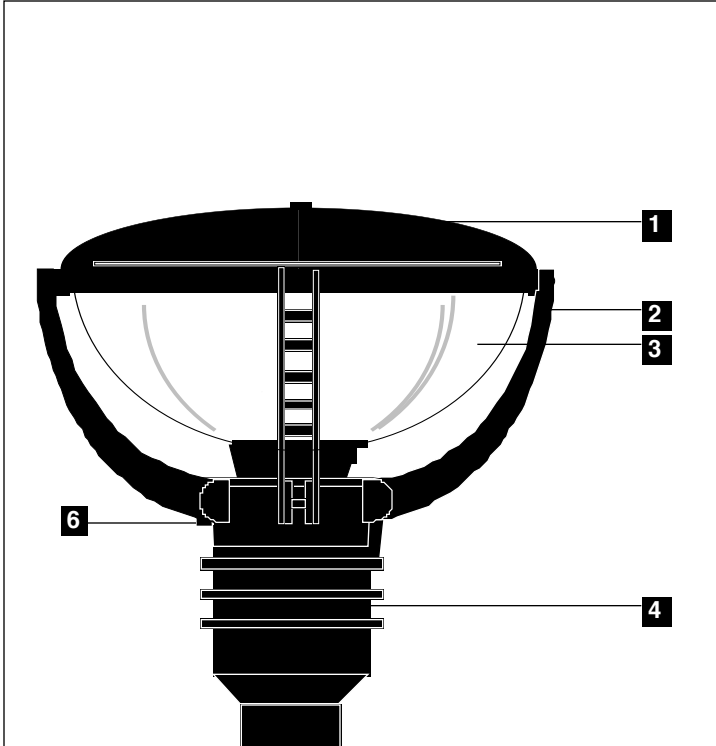
W810

All exposed cast aluminum components are made of non corrosive pure aluminum copper free (Aluminum is less than .1% copper content.#356 alloy.)

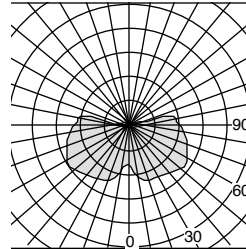
Finish: All polyester powder baked coatings preceded with a 5 baths preparation process. Meets military grade MIL-C781706 with a 2000 hours salt spray test.

- Pulse rated medium base porcelain socket.
- 75W/600V thermoplastic compact fluorescent socket.
- One-piece molded silicone gasket with memory retention.
- High power factor CWA ballast. Or 98% P.F.electronic smart ballast with end of life detection for compact fluorescent.
- All stainless steel hardware.
- All Moving and removable parts are sealed with a memory retention silicone gasket.

- 1- Min. .093" hard aluminum exterior dome with inner white enamel reflector for maximum reflectance.
- 2- Set of four heavy cast aluminum louvered arms.
- 3- White translucent U.V. protected high impact acrylic spherical light chamber.
- 4- Cast Aluminum ballast housing with dissipation fins to maximize heat dissipation and cool operation of ballast.



Photometry



Separate updated technical specification sheets with related models and light sources with I.E.S formatted photometry are available on www.luminis.com.

Certification

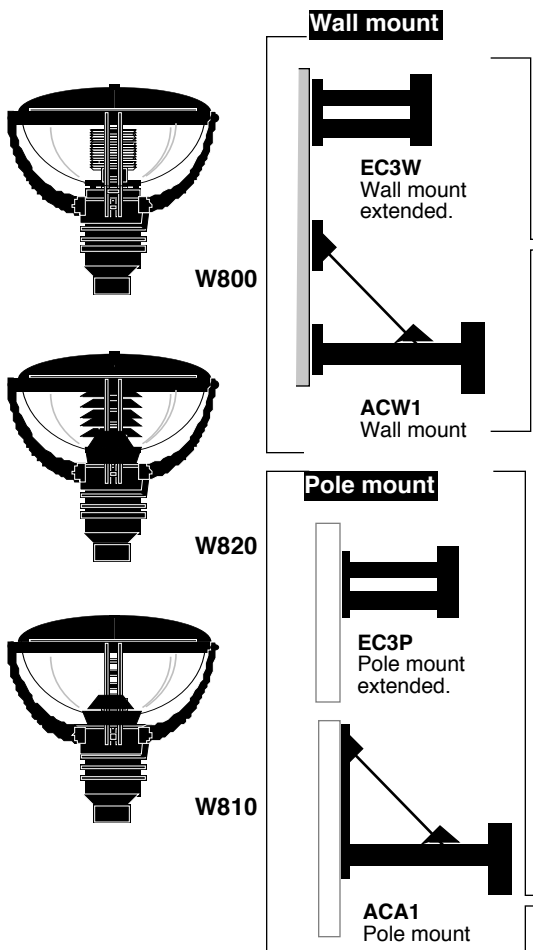
UL. Wet Location. IP54

Mounting & E.P.A.

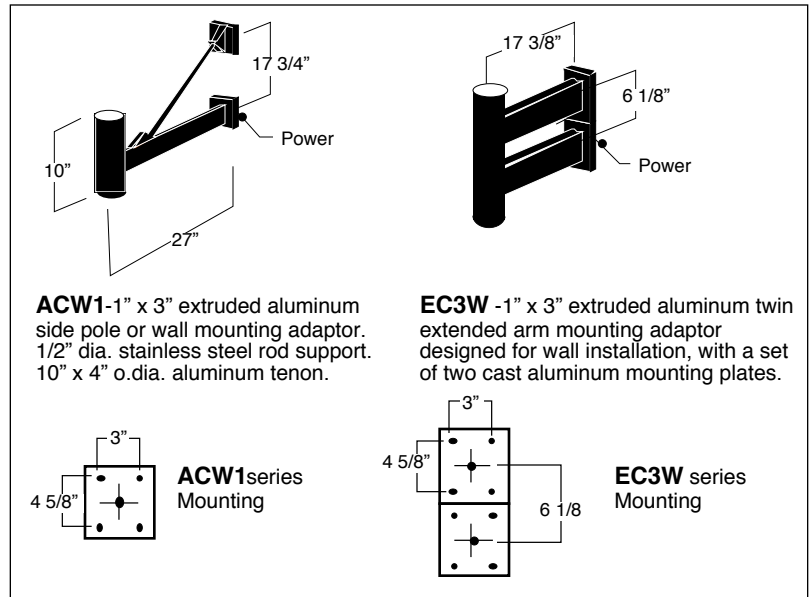
E.P.A: 2.1 sq./ft Max. weight: 45 lbs..
Installation: Mounts over a 4" or 5"O.D. Pole.X 4" deep tenon.

For options details and specifications, please refer to pages 26- 41-42 .

Model#	Mounting	Light source selection	Voltage	Finish	Options	
<input type="checkbox"/> W810 	Optional <input type="checkbox"/> ACA1 <input type="checkbox"/> ACW1 <input type="checkbox"/> EC3P <input type="checkbox"/> EC3W	MH (ED17) <input type="checkbox"/> M70 <input type="checkbox"/> M100 <input type="checkbox"/> M150 <input type="checkbox"/> M175 HPS (ED17) <input type="checkbox"/> H70 <input type="checkbox"/> H100 <input type="checkbox"/> H150 QL lamp. (Including: generator, power coupler & discharge vessel) 120V <input type="checkbox"/> Q55 <input type="checkbox"/> Q85	CF (Gx24q) Single lamp <input type="checkbox"/> F157 <input type="checkbox"/> F170 <input type="checkbox"/> F185 <input type="checkbox"/> F120 CF (Gx24q) Two lamps <input type="checkbox"/> F257 <input type="checkbox"/> F270 <input type="checkbox"/> F285 <input type="checkbox"/> F2120	120 V Standard factory prewired (If no voltage is specified) For other voltages, please specify with catalog number. H.I.D. INDUCTION QL <input type="checkbox"/> 208 V <input type="checkbox"/> 120V <input type="checkbox"/> 240 V <input type="checkbox"/> 277 V <input type="checkbox"/> 347 V <input type="checkbox"/> 480 V COMP. FLUO. Smart ballast 120/277 <input type="checkbox"/> 347 V (To specify)	(Refer to color chart) Standard selection <input type="checkbox"/> WHT: Snow white <input type="checkbox"/> BKT: Jet black <input type="checkbox"/> BZT: Bronze <input type="checkbox"/> GRT: Titanium gray <input type="checkbox"/> DGT: Gun metal <input type="checkbox"/> CHT: Champagne <input type="checkbox"/> MST: Matte silver <input type="checkbox"/> GNT: Forest green Optional colors <input type="checkbox"/> CS: Custom color <input type="checkbox"/> RAL: RAL# color	Electrical <input type="checkbox"/> EM42: 1 lamp (26/32/42W) EM battery. <input type="checkbox"/> EM242: 2 lamp (26/32W) EM battery. <input type="checkbox"/> FS : Fuse <input type="checkbox"/> PH1 : 120/277V photo cell <input type="checkbox"/> PH2 : 347V photo cell
	(Lamps by others. Except for QL lamps)					luminaires may be altered for design improvements or discontinued without prior notice.



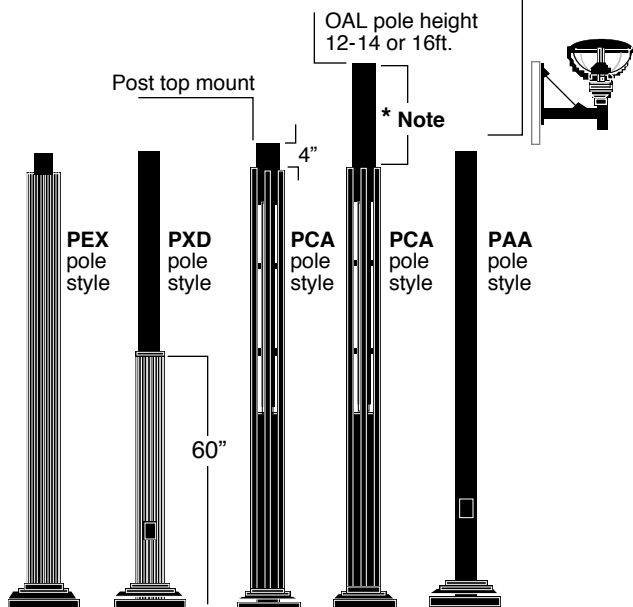
* Note:
36" extension with ACA attachment
24" extension with EC3P attachment



Compatible poles listing.

Mounting style	Post top mounting					Pole height
	4" O.D.	5" O.D.	4" O.D.	4" O.D.	4" O.D.	
	PAA410	PAA510-A	PCA10	PEX10	PXD10	10 ft
	PAA412	PAA512-A	PCA12	PEX12	PXD12	12 ft
	PAA414	PAA514-A	PCA14	PEX14	PXD14	14 ft
	PAA416	PAA516-A	PCA16	PEX16	PXD16	16 ft
	PAA418	PAA518-A		PEX18	PXD18	18 ft
	PAA420	PAA520-A		PEX20	PXD20	20 ft
	Post side mount with EC3P attachment accessory					
	PAA410-C3P	PAA510-C3P				10 ft
	PAA412-C3P	PAA512-C3P	PCA12-C3P	PEX12-C3P	PXD12-C3P	12 ft
	PAA414-C3P	PAA514-C3P	PCA14-C3P	PEX14-C3P	PXD14-C3P	14 ft
	PAA416-C3P	PAA516-C3P	PCA16-C3P	PEX16-C3P	PXD16-C3P	16 ft
	PAA418-C3P	PAA518-C3P		PEX18-C3P	PXD18-C3P	18 ft
	PAA420-C3P	PAA520-C3P				20 ft
	Post side mount with ACA1 attachment accessory					
	PAA414-ACA	PAA514-ACA	PCA14-ACA	PXD14-ACA		14 ft
	PAA416-ACA	PAA516-ACA	PCA16-ACA	PXD16-ACA		16 ft
	PAA418-ACA	PAA518-ACA		PXD18-ACA		18 ft
	PAA420-ACA	PAA520-ACA		PXD20-ACA		20 ft

For poles details and specification, please refer to pages 140 to 144



luminaires may be altered for design improvements or discontinued without prior notice.