



Low PIM N Female to 7/16 DIN Male Adapter Low VSWR

TECHNICAL DATA SHEET

PE91031

Low PIM N Female to 7/16 DIN Male Adapter Low VSWR

- PIM levels <-165 dBc
- Low VSWR levels up to 8GHz.
- Tri-metal Albaloy coating
 - durable surface with good corrosion protection
 - abrasion resistance
 - superior electrical contact properties.
- Available in various connector combinations
 - 7/16 DIN in-series
 - Type N in-series
 - 7/16 DIN to Type N and SMA in-between series
- 4-hole flange and bulkhead-mounted styles available
- Ideal choice for use in portable PIM testing

Configuration

| | |
|---------------------------|------------------------------------|
| Connector 1 | N Female |
| Impedance 1 | 50 Ohms |
| Connector Specification 1 | Mil-STD-348 |
| Connector 2 | 7/16 DIN Male |
| Impedance 2 | 50 Ohms |
| Connector Specification 2 | IEC 169-4 (0.232 dia. Enhancement) |
| Adapter Design | Low PIM |
| Body Style | Straight |

Electrical Specifications

| | |
|---|---------|
| Frequency Range, GHz | DC to 8 |
| Maximum VSWR | 1.23:1 |
| Group Delay, ps | 225 |
| Dielectric Withstanding Voltage, Vrms | 1,000 |
| Maximum Passive Intermodulation (2 x 20 Watts), dBc | -165 |

Frequency 1

| | |
|-----------------|-------------|
| Frequency, MHz | DC to 1,000 |
| VSWR | 1.04:1 |
| Return Loss, dB | 36 |

Frequency 2

| | |
|-----------------|--------|
| Frequency, GHz | 1 to 4 |
| VSWR | 1.12:1 |
| Return Loss, dB | 25 |

Click the following link (or enter part number in "SEARCH" on website) to obtain additional part information including price, inventory and certifications: [Low PIM N Female to 7/16 DIN Male Adapter Low VSWR PE91031](#)

The information contained in this document is accurate to the best of our knowledge and representative of the part described herein. It may be necessary to make modifications to the part and/or the documentation of the part, in order to implement improvements. Pasternack reserves the right to make such changes as required. Unless otherwise stated, all specifications are nominal.



Low PIM N Female to 7/16 DIN Male Adapter Low VSWR

TECHNICAL DATA SHEET
PE91031
Frequency 3

| | |
|-----------------|--------|
| Frequency, GHz | 4 to 8 |
| VSWR | 1.23:1 |
| Return Loss, dB | 20 |

Mechanical Specifications
Temperature

| | |
|------------------------|-------------|
| Operating Range, deg C | -55 to +155 |
|------------------------|-------------|

Size

| | |
|---------------------|---------------|
| Length, in [mm] | 2.27 [57.66] |
| Width/Dia., in [mm] | 1.37 [34.8] |
| Weight, lbs [g] | 0.32 [145.15] |

Connector 1

| | |
|---------------------------------------|--------------------------|
| Type | N Female |
| Mating Cycles | 500 |
| Inner Conductor Material and Plating | Beryllium Copper, Silver |
| Inner Conductor Plating Specification | 5 um |
| Outer Conductor Material and Plating | Brass, Tri-Metal |
| Outer Conductor Plating Specification | 2.54 um |
| Coupling Nut Plating Specification | 2.54 um |
| Body Material and Plating | Brass, Tri-Metal |
| Body Plating Specification | 2.54 um |
| Dielectric Type | PTFE |

Connector 2

| | |
|---------------------------------------|------------------|
| Type | 7/16 DIN Male |
| Mating Cycles | 500 |
| Inner Conductor Material and Plating | Brass, Silver |
| Inner Conductor Plating Specification | 5 um |
| Outer Conductor Material and Plating | Brass, Tri-Metal |
| Outer Conductor Plating Specification | 2.54 um |
| Coupling Nut Material and Plating | Brass, Tri-Metal |
| Coupling Nut Plating Specification | 2.54 um |
| Hex Size, mm | 32 |
| Torque, in-lbs [Nm] | 18.4 [24.95] |
| Body Material and Plating | Brass, Tri-Metal |
| Body Plating Specification | 2.54 um |
| Dielectric Type | PTFE |

Compliance Certifications (visit www.Pasternack.com for current document)

| | |
|----------------|-----|
| RoHS Compliant | Yes |
|----------------|-----|

Click the following link (or enter part number in "SEARCH" on website) to obtain additional part information including price, inventory and certifications: [Low PIM N Female to 7/16 DIN Male Adapter Low VSWR PE91031](#)

The information contained in this document is accurate to the best of our knowledge and representative of the part described herein. It may be necessary to make modifications to the part and/or the documentation of the part, in order to implement improvements. Pasternack reserves the right to make such changes as required. Unless otherwise stated, all specifications are nominal.



TECHNICAL DATA SHEET

PE91031

Plotted and Other Data

Notes:

Values at 25 °C, sea level

URL: <http://www.pasternack.com/n-female-7-16-male-straight-adapter-pe91031-p.aspx>

Low PIM N Female to 7/16 DIN Male Adapter Low VSWR from Pasternack Enterprises has same day shipment for domestic and International orders. Our RF, microwave and fiber optic products maintain a 99% availability and are part of the broadest selection in the industry.

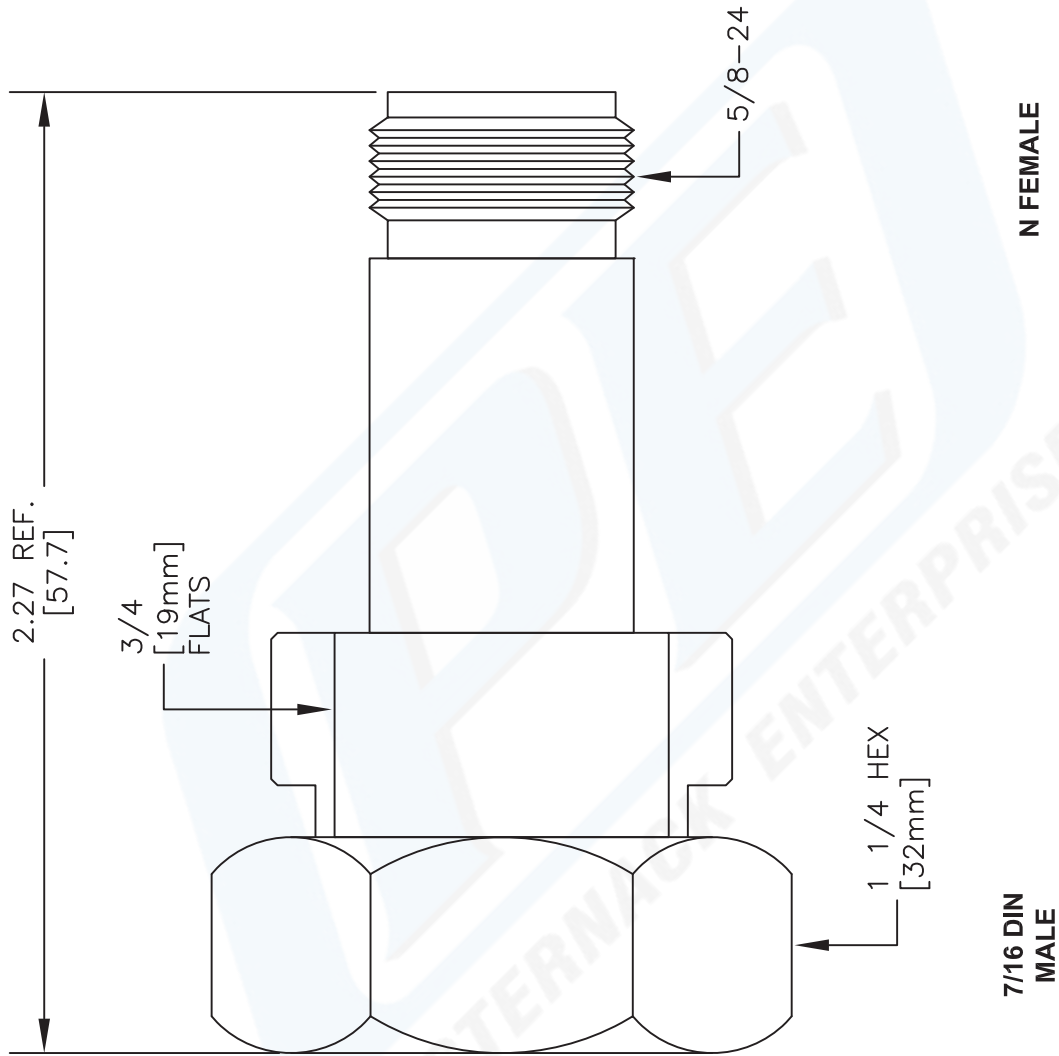


The information contained in this document is accurate to the best of our knowledge and representative of the part described herein. It may be necessary to make modifications to the part and/or the documentation of the part, in order to implement improvements. Pasternack reserves the right to make such changes as required. Unless otherwise stated, all specifications are nominal.



PE91031 CAD Drawing

Low PIM N Female to 7/16 DIN Male Adapter Low VSWR



DWG TITLE

PE91031

NOTES:
1. UNLESS OTHERWISE SPECIFIED ALL DIMENSIONS ARE NOMINAL.
2. ALL SPECIFICATIONS ARE SUBJECT TO CHANGE WITHOUT NOTICE AT ANY TIME.
3. DIMENSIONS ARE IN INCHES [mm].

FSCM NO. 53919

CAD FILE 010913-A

SCALE N/A

SIZE A

2233



Pasternack Enterprises, Inc.
P.O. Box 16759 | Irvine | CA | 92623
Phone: (949) 261-1920 | Fax: (949) 261-7451
Website: www.pasternack.com | E-Mail: sales@pasternack.com