

4112 NH3

# DC axial compact fan



## ebm-papst St. Georgen GmbH & Co. KG

Hermann-Papst-Str. 1  
D-78112 St. Georgen  
Phone +49 (0) 7724 81-0  
Fax +49 (0) 7724 81-1309  
info2@de.ebmpapst.com  
www.ebmpapst.com

## Nominal data

Type	4112 NH3	
Nominal voltage	VDC	12
Nominal voltage range	VDC	9 .. 15
Speed	min <sup>-1</sup>	6000
Power input	W	21.6
Min. ambient temperature	°C	-20
Max. ambient temperature	°C	65
Air flow	m <sup>3</sup> /h	310
Sound power level	B	7.2
Sound pressure level	dB(A)	65

ml = max. load · me = max. efficiency · fa = running at free air · cs = customer specs · cu = customer unit  
Subject to alterations

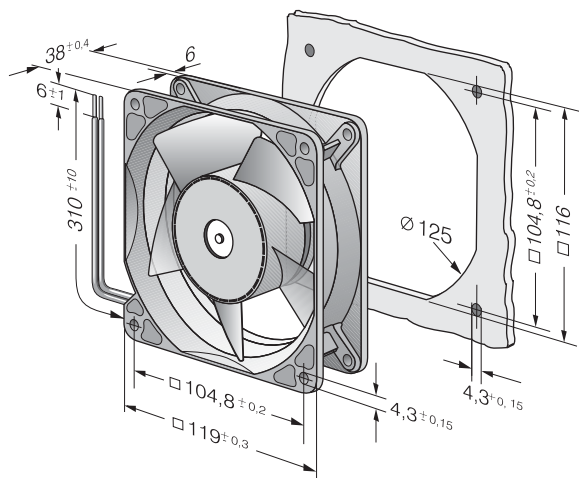


**Technical features**

<b>Mass</b>	0.390 kg
<b>Dimensions</b>	119 x 119 x 38 mm
<b>Material of impeller</b>	Fiberglass-reinforced PA plastic
<b>Housing material</b>	Aluminum with grounding lug for screw M4 x 8 (TORX).
<b>Direction of air flow</b>	Inlet over bars
<b>Direction of rotation</b>	Clockwise, looking at rotor
<b>Bearing</b>	Ball bearings
<b>Lifetime L10 at 40 °C</b>	65000 h
<b>Lifetime L10 at maximum temperature</b>	37500 h
<b>Connection line</b>	Single strands AWG 22, UL 1007, TR 64, bared and tin-plated.
<b>Motor protection</b>	Protected against reverse polarity and locking.
<b>Approval</b>	CE



## Product drawing



Charts: Air flow

