



7 dB Fixed Attenuator, N Male To N Female Passivated
Stainless Steel Body Rated To 2 Watts Up To 18 GHz

TECHNICAL DATA SHEET

PE7004-7

7 dB Fixed Attenuator, N Male To N Female Passivated Stainless Steel Body Rated To 2 Watts Up To 18 GHz

Configuration

Design	Fixed, Bidirectional Attenuator
Connector 1	N Male
Connector 2	N Female
Body Material and Plating	Passivated Stainless Steel

Electrical Specifications

Frequency Range, GHz	DC to 18
Impedance, Ohms	50
Attenuation Value, dB	7
Maximum Input Power, Watts	2

Frequency 1

Range, GHz	DC to 4
VSWR	1.15:1
Attenuation Accuracy, dB	± 0.5

Frequency 2

Range, GHz	4 to 8
VSWR	1.2:1
Attenuation Accuracy, dB	± 0.5

Frequency 3

Range, GHz	8 to 12.4
VSWR	1.25:1
Attenuation Accuracy, dB	± 0.5

Frequency 4

Range, GHz	12.4 to 18
VSWR	1.35:1
Attenuation Accuracy, dB	± 0.5

Mechanical Specifications

Size

Length, in [mm]	1.765 [44.83]
Width, in [mm]	0.8 [20.32]

Connector 1

Type	N Male
Connector Specification	MIL-STD-348

Click the following link (or enter part number in "SEARCH" on website) to obtain additional part information including price, inventory and certifications: [7 dB Fixed Attenuator, N Male To N Female Passivated Stainless Steel Body Rated To 2 Watts Up To 18 GHz PE7004-7](#)

The information contained in this document is accurate to the best of our knowledge and representative of the part described herein. It may be necessary to make modifications to the part and/or the documentation of the part, in order to implement improvements. Pasternack reserves the right to make such changes as required. Unless otherwise stated, all specifications are nominal.



7 dB Fixed Attenuator, N Male To N Female Passivated
Stainless Steel Body Rated To 2 Watts Up To 18 GHz

TECHNICAL DATA SHEET

PE7004-7

Connector 2

Type	N Female
Connector Specification	MIL-STD-348

Compliance Certifications (visit www.Pasternack.com for current document)

RoHS Compliant	Yes
----------------	-----

Plotted and Other Data

Notes:	Values at 25 °C, sea level
--------	----------------------------

7 dB Fixed Attenuator, N Male To N Female Passivated Stainless Steel Body Rated To 2 Watts Up To 18 GHz from Pasternack Enterprises has same day shipment for domestic and International orders. Our RF, microwave and fiber optic products maintain a 99% availability and are part of the broadest selection in the industry.

Click the following link (or enter part number in "SEARCH" on website) to obtain additional part information including price, inventory and certifications: [7 dB Fixed Attenuator, N Male To N Female Passivated Stainless Steel Body Rated To 2 Watts Up To 18 GHz PE7004-7](http://www.pasternack.com/7db-fixed-n-female-n-male-2-watts-attenuator-pe7004-7-p.aspx)

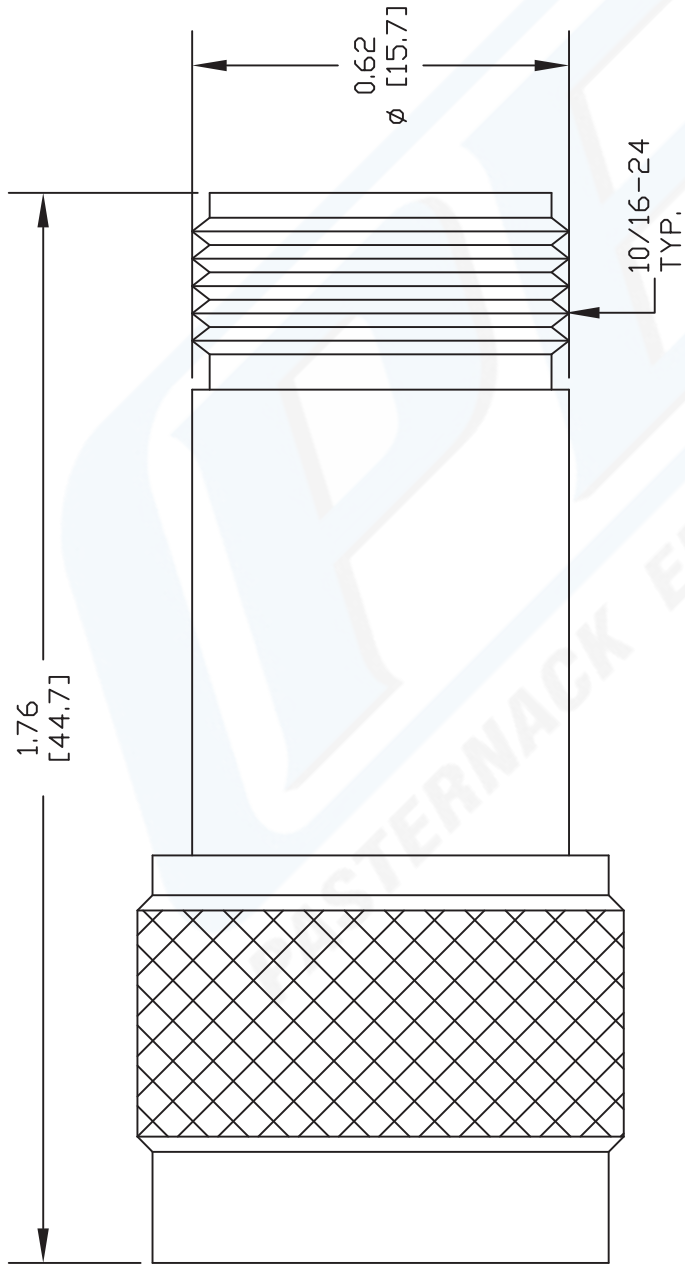
URL: <http://www.pasternack.com/7db-fixed-n-female-n-male-2-watts-attenuator-pe7004-7-p.aspx>

The information contained in this document is accurate to the best of our knowledge and representative of the part described herein. It may be necessary to make modifications to the part and/or the documentation of the part, in order to implement improvements. Pasternack reserves the right to make such changes as required. Unless otherwise stated, all specifications are nominal.

PE7004-7 CAD Drawing

7 dB Fixed Attenuator, N Male To N Female Passivated Stainless Steel Body Rated To 2 Watts Up To 18 GHz

P/N	ATTEN.	FIGURE
PE7004-1	1 dB	1
PE7004-2	2 dB	1
PE7004-3	3 dB	1
PE7004-4	4 dB	1
PE7004-5	5 dB	1
PE7004-6	6 dB	1
PE7004-7	7 dB	1
PE7004-8	8 dB	1
PE7004-9	9 dB	1
PE7004-10	10 dB	1
PE7004-12	12 dB	1
PE7004-15	15 dB	1
PE7004-20	20 dB	1
PE7004-30	30 dB	1
PE7004-40	40 dB	1



N FEMALE

N MALE

FIGURE 1

NOTES:
 1. UNLESS OTHERWISE SPECIFIED ALL DIMENSIONS ARE NOMINAL.
 2. ALL SPECIFICATIONS ARE SUBJECT TO CHANGE WITHOUT NOTICE AT ANY TIME.
 3. DIMENSIONS ARE IN INCHES [mm].

DWG TITLE

PE7004

FSCM NO. 53919

SCALE N/A

SIZE A

CAD FILE 013113

2231

PE PASTERNAK®
 Pasternack Enterprises, Inc.
 P.O. Box 16759 | Irvine | CA | 92623
 Phone: (949) 261-1920 | Fax: (949) 261-7451
 Website: www.pasternack.com | E-Mail: sales@pasternack.com