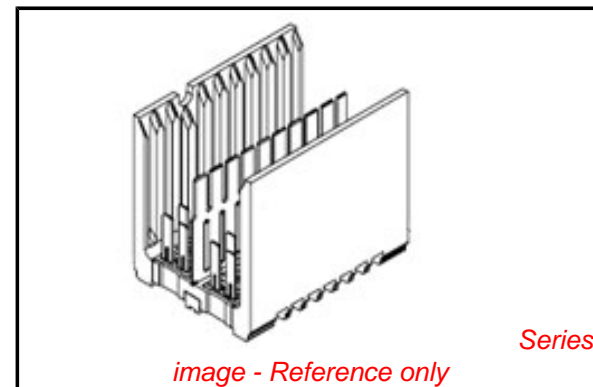


PLEASE CHECK WWW.MOLEX.COM FOR LATEST PART INFORMATION

Part Number: **0758340105**
Status: **Active**
Overview: gbx_backplane_connector_system
Description: 1.85mm by 1.85mm (.073 by .073") Pitch 2-Pair GbX® Electrically Enhanced Backplane Connector System, Open Header, 100 Circuits, Gold (Au) 0.76µm(30µ"), Pin Length 5.55mm (.219")

Documents:

[Drawing \(PDF\)](#) [RoHS Certificate of Compliance \(PDF\)](#)
[Product Specification PS-75221-999 \(PDF\)](#)



General

Product Family	Backplane Connectors
Series	75834
Application	Backplane
Application Tooling Documents	Tooling Manual
Component Type	PCB Header
Overview	<u>gbx_backplane_connector_system</u>
Product Name	GbX®
Style	N/A

Physical

Circuits (Loaded)	100
Circuits (maximum)	100
Color - Resin	Black, Gray
Durability (mating cycles max)	200
First Mate / Last Break	No
Guide to Mating Part	No
Keying to Mating Part	None
Material - Metal	Copper Alloy
Material - Plating Mating	Gold
Material - Plating Termination	Tin
Material - Resin	High Temperature Thermoplastic
Number of Columns	10
Number of Pairs	2
Number of Rows	7
Orientation	Vertical
PC Tail Length (in)	0.090 In
PC Tail Length (mm)	2.30 mm
PCB Retention	None
PCB Thickness Recommended (in)	0.062 In
PCB Thickness Recommended (mm)	1.60 mm
Packaging Type	Tray
Pitch - Mating Interface (in)	0.073 In
Pitch - Mating Interface (mm)	1.85 mm
Pitch - Term. Interface (in)	0.073 In
Pitch - Term. Interface (mm)	1.85 mm
Polarized to PCB	No
Stackable	No
Surface Mount Compatible (SMC)	No
Temperature Range - Operating	-55°C to +85°C
Termination Interface: Style	Through Hole - Compliant Pin

Electrical

Current - Maximum per Contact	1A
-------------------------------	----

EU RoHS

ELV and RoHS Compliant
REACH SVHC
 Not Reviewed
Halogen-Free Status
 Not Reviewed

China RoHS



Need more information on product environmental compliance?

Email productcompliance@molex.com
 For a multiple part number RoHS Certificate of Compliance, [click here](#)

Please visit the [Contact Us](#) section for any non-product compliance questions.

Search Parts in this Series

75834Series

Data Rate	8.0 Gbps
Shielded	Yes
Voltage - Maximum	120V AC (RMS)/DC

Material Info

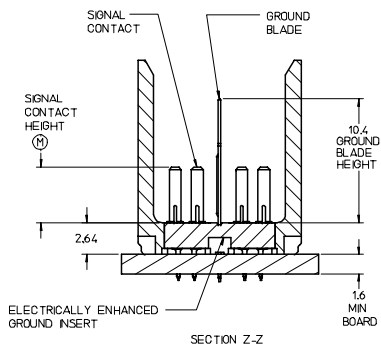
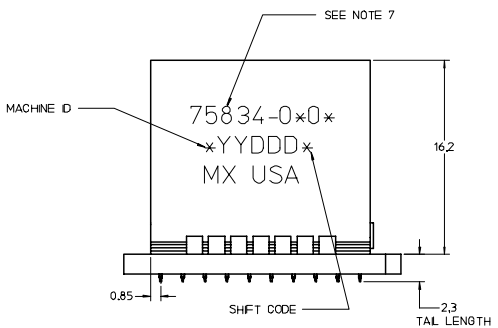
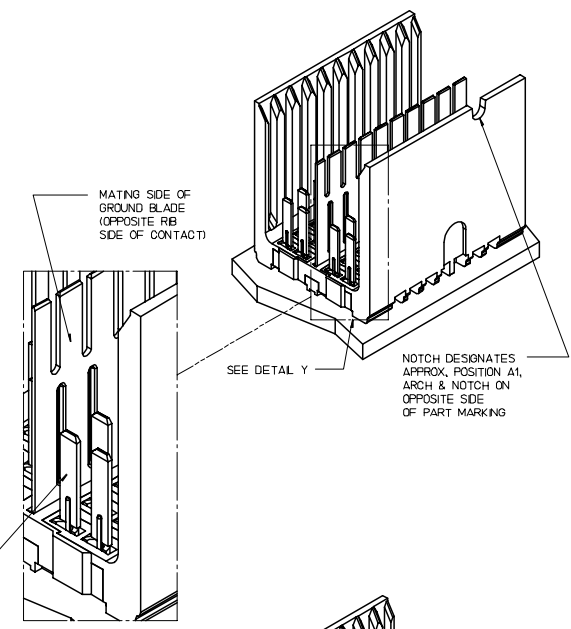
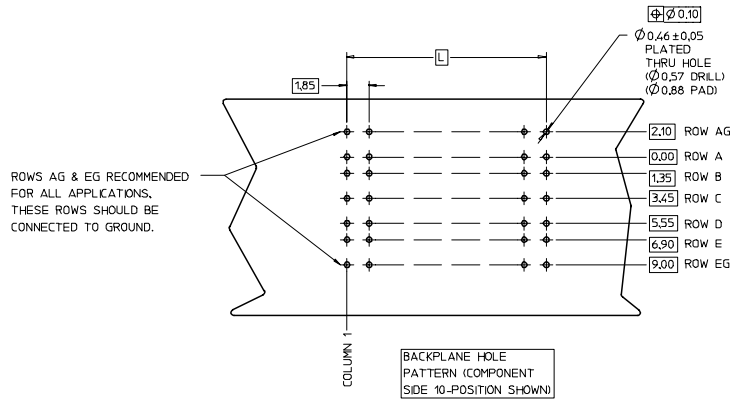
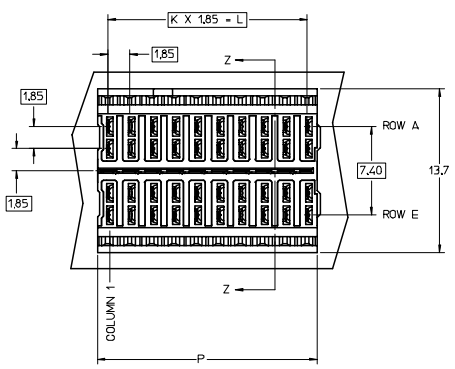
Reference - Drawing Numbers

Packaging Specification	PK-70873-5058
Product Specification	PS-75221-999
Sales Drawing	SD-75834-010

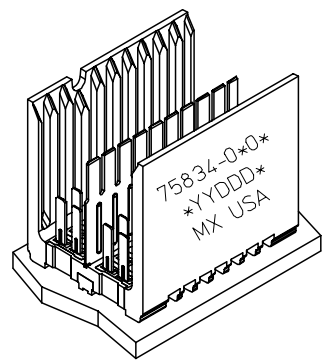
GbX is a registered trademark of Amphenol Corporation.

This document was generated on 05/14/2010

PLEASE CHECK WWW.MOLEX.COM FOR LATEST PART INFORMATION



LEAD-FREE
PLATING ON
SIGNALS &
GROUND



- NOTES:
- MATERIAL: HOUSING - LIQUID CRYSTAL POLYMER (LCP) GLASS-FILLED. UL 94V-0. COLOR - GRAY, ELECTRICALLY ENHANCED GROUND INSERT: CONDUCTIVE RESIN. COLOR - RED, SIGNAL CONTACT AND GROUND BLADE - HIGH PERFORMANCE COPPER ALLOY.
 - FINISHES: SELECTIVE GOLD (Au) ON CONTACT AREA, SELECTIVE TIN/LEAD (Sn/Pb) ON PCB TAILS, NICKEL (Ni) OVERALL.
 - THESE PARTS CONFORMS TO MOLEX PRODUCT SPECIFICATION PS-75221-999.
 - FOR MIXED CONTACT MATING LENGTHS CONSULT MOLEX FOR AVAILABILITY. CONTACT PAIRS MUST BE THE SAME LENGTH.
 - FOR SPECIFIC PART NUMBER AND MATING INFORMATION PLEASE REFER TO CHART.
 - PACKAGE PER PK-70873-5058.
 - MARK PART NUMBER AND DATE CODE APPROXIMATELY WHERE SHOWN.
 - THESE PARTS CONFORMS TO MOLEX COSMETIC SPECIFICATION PS-45499-002 CLASS B.

75834-xx0*

COLUMN	PN LENGTH
01 - 10 COL	DM "M"
02 - 25 COL	3=3.55 mm
05 - 5 COL	4=4.55 mm
	5=5.55 mm

KEYING
ORIENTATION
OPEN = 0 (NONE)

ASSY PART NO.	K	L	P	TOTAL NO. OF DIFFERENTIAL PAIRS
75834-050*	4	7.40	9.10	10
75834-010*	9	16.65	18.35	20
75834-020*	24	44.40	46.10	50

ADD 5-COL PART EC NO: UCP2008-0466 DRAWN: JB INGHAM CHKD: JLAURX APPR: JLAURX 2007/08/14 2007/09/04 2007/09/04	QUALITY SYMBOLS	GENERAL TOLERANCES (UNLESS SPECIFIED)	DIMENSION STYLE	SCALE	DESIGN UNITS	THIRD ANGLE PROJECTION	
	$\nabla=0$ $\nabla=0$	4 PLACES ± --- ± --- 3 PLACES ± --- ± --- 2 PLACES ± --- ± --- 1 PLACE ± --- ± --- ANGULAR ± --- °	MM ONLY INCH	DATE 2007/05/01	5:1	METRIC	<input checked="" type="checkbox"/> THIRD ANGLE PROJECTION
	DRAWN BY JB INGHAM CHECKED BY SREED APPROVED BY SREED DATE 2007/05/01	TITLE GBX 2-PAIR LF BACKPLANE ELECTRICALLY ENHANCED OPEN END SALES ASSEMBLY	MATERIAL NO. SEE CHART	DOCUMENT NO. SD-75834-010	MOLEX MOLEX INCORPORATED		SHEET NO. 1 OF 1
	DRAFT WHERE APPLICABLE MUST REMAIN WITHIN DIMENSIONS THIS DRAWING CONTAINS INFORMATION THAT IS PROPRIETARY TO MOLEX INCORPORATED AND SHOULD NOT BE USED WITHOUT WRITTEN PERMISSION						