



TAI-SAW TECHNOLOGY CO., LTD.

No. 3, Industrial 2nd Rd., Ping-Chen Industrial District,
Taoyuan, 324, Taiwan, R.O.C.

TEL: 886-3-4690038 FAX: 886-3-4697532

E-mail: tstsales3@mail.taisaw.com Web: www.taisaw.com

Approval Sheet For Product Specification

Issued Date:

Product Name: Low-Loss 70MHz IF SAW Filter (BW=6 MHz)

TST Parts No.: TB0212A

Customer Parts No.: _____

Company: _____
Division: _____
Approved by : _____
Date: _____

Checked by: _____ Kazuma Lee 

Approval by: _____ Francis Chen 

Date: _____ 07.11.2008



TAI-SAW TECHNOLOGY CO., LTD.

No.3, Industrial 2nd Rd., Ping-Chen Industrial District, Taoyuan, Taiwan, R.O.C.

TEL: 886-3-4690038 FAX: 886-3-4697532

E-mail: tstsales3@mail.taisaw.com Web: www.taisaw.com

Low-Loss 70 MHz IF SAW Filter (SMD 13.3x6.5 mm)

Model No.: TB0212A

Rev. No.:4

A. Maximum Rating:

RoHS Compliant
Lead free
Lead-free soldering

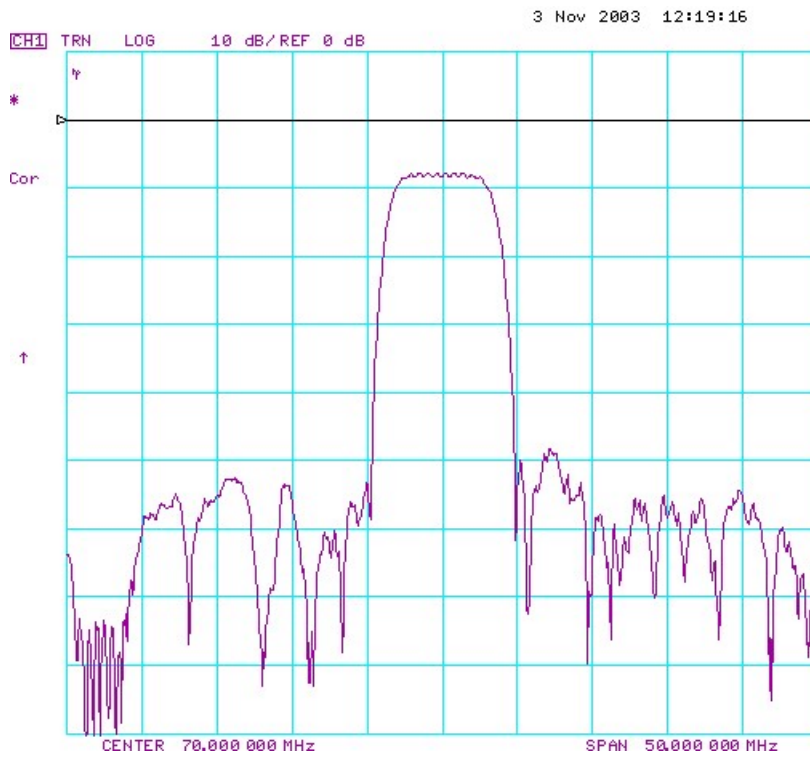
1. Input Power Level: +20 dB_m
2. Operating Temperature: -30°C to +80°C
3. Storage Temperature: -40°C to +85°C

B. Electrical Characteristics:

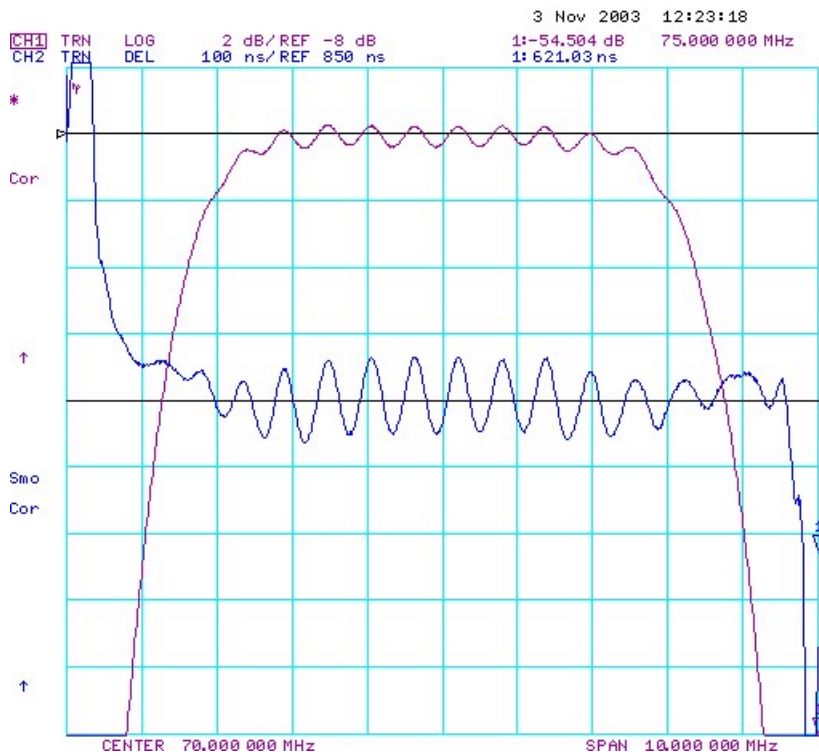
Parameters	Unit	Min.	Typical	Max.
Center frequency, F _c	MHz	69.8	70	70.2
Insertion Loss, IL	dB	-	7.6	9.0
1 dB Bandwidth	MHz	5.2	5.4	-
3 dB Bandwidth	MHz	6.0	6.5	-
40 dB Bandwidth	MHz	-	9.5	10.0
Relative Attenuation:				
10 to 64.5 MHz	dB	40	45	-
75.5 to 140 MHz	dB	40	43	-
Amplitude ripple within F _c ± 2.1 MHz	dB	-	0.8	1.0
Group Delay ripple within F _c ± 2.1 MHz	nsec	-	140	170
Substrate Material	-	-	YZ-LN	-
Temperature Coefficient of frequency	ppm/ °C	-	-94	-

C. Frequency Characteristics:

(1) Frequency Response



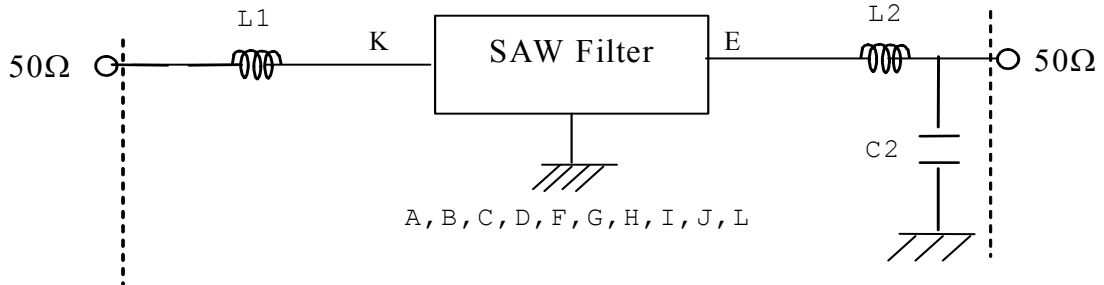
(2) Passband response and Group Delay Variation



D. Measurement Circuit:

Source and load impedance: 50 Ω

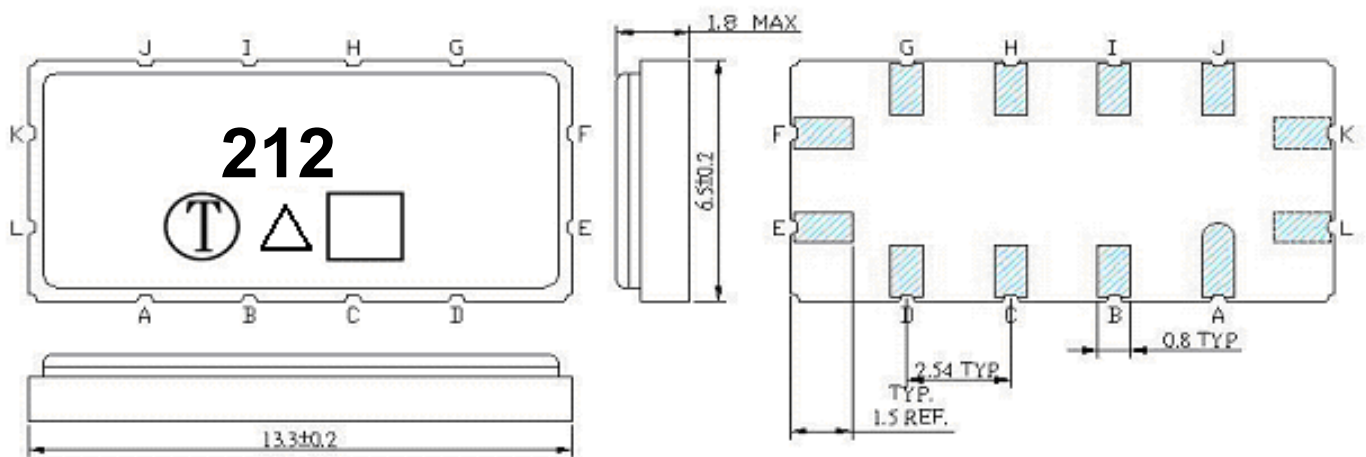
Network analyzer



Input: L1=220 nH, Q>40

Output: L2=150 nH, Q>40; C2=5 pF

E. Outline Drawing:



Unit: mm

- Pin K: RF Input
- Pin E: RF Output
- Pin L: Input Ground
- Pin F: Output Ground
- Pin A, B, C, D, G, H, I, J: To be Ground
- Ⓧ: Date code
- △ : Product / Year Code

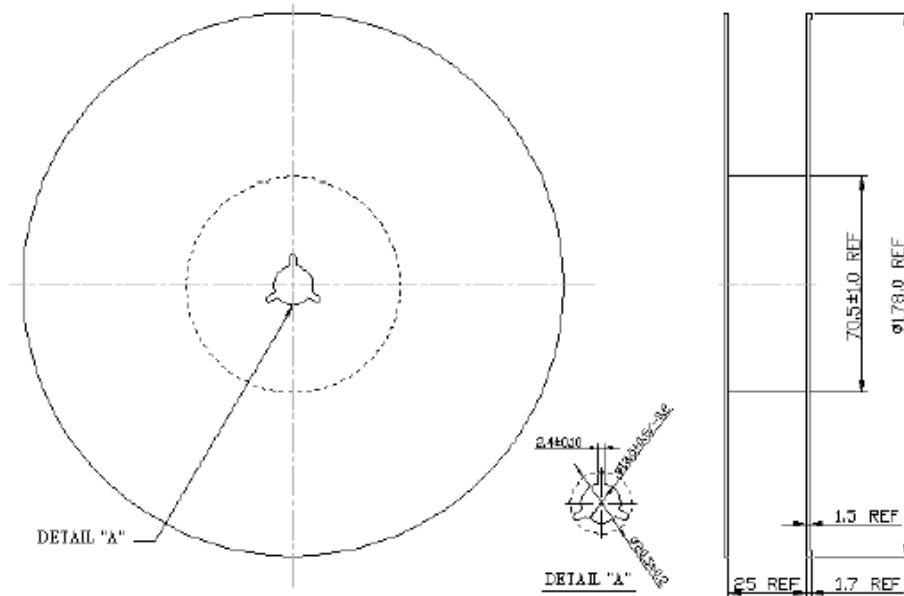
Year	2005 2009	2006 2010	2007 2011	2008 2012
------	--------------	--------------	--------------	--------------

Product Code	B	b	<u>B</u>	<u>b</u>
--------------	---	---	----------	----------

F.PACKING:

REEL DIMENSION:

(Reel Count: 7"=500 ; 13"=1000)



TAPE DIMENSION:

