

Rad-hard 1 GHz low noise operational amplifier

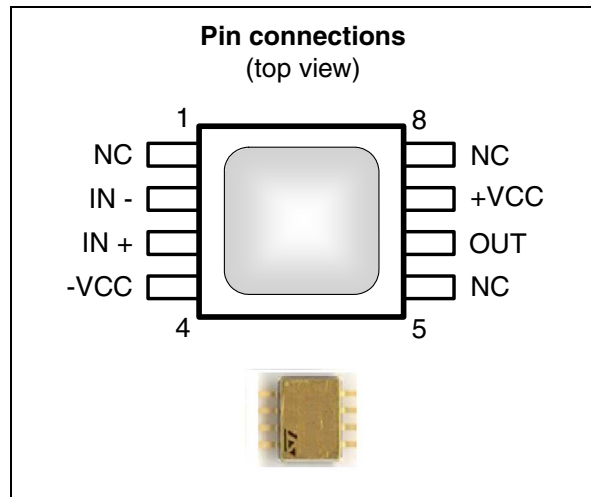
Preliminary data

Features

- Bandwidth: 1 GHz (gain = +2)
- Slew rate: 1800 V/μs
- Input noise: 1.3 nV/√Hz
- Distortion: SFDR = -78 dBc (10 MHz, 2 V_{pp})
- 100 Ω load optimized output stage
- 5 V power supply
- 300 krad MIL-STD-883 1019.7 ELDRS free compliant
- SEL immune at 125° C, LET up to 110 MEV.cm²/mg
- SET characterized, LET up to 110 MEV.cm²/mg
- QMLV qualified under SMD 5962-0723101
- Mass: 0.45 g

Applications

- Communication satellites
- Space data acquisition systems
- Aerospace instrumentation
- Nuclear and high energy physics
- Harsh radiation environments
- ADC drivers



Description

The RHF330 is a current feedback operational amplifier that uses very high-speed complementary technology to provide a large bandwidth of 1 GHz in gains of 2 while drawing only 16.6 mA of quiescent current. The RHF330 also offers 0.1 dB gain flatness up to 160 MHz with a gain of 2. With a slew rate of 1800 V/μs and an output stage optimized for standard 100 Ω loads, this device is highly suitable for applications where speed and low distortion are the main requirements. The device is a single operator available in a Flat-8 hermetic ceramic package, saving board space as well as providing excellent thermal and dynamic performance.

Table 1. Device summary

Order code	SMD pin	Quality level	Package	Lead finish	Marking	EPPL	Packing
RHF330K1	-	Engineering model	Flat-8	Gold	RHF310K1	-	Strip pack
RHF330K-01V	5962F0723101VXC	QMLV-Flight	Flat-8	Gold	5962F0723101VXC	Target	Strip pack

Note: Contact your ST sales office for information on the specific conditions for products in die form and QML-Q versions.

Contents

- 1 Absolute maximum ratings and operating conditions 3**
- 2 Electrical characteristics 4**
- 3 Demonstration board schematics 10**
- 4 Power supply considerations 12**
 - 4.1 Single power supply 12
- 5 Noise measurements 14**
 - 5.1 Measurement of the input voltage noise eN 15
 - 5.2 Measurement of the negative input current noise iNn 15
 - 5.3 Measurement of the positive input current noise iNp 15
- 6 Intermodulation distortion product 16**
- 7 Bias of an inverting amplifier 18**
- 8 Active filtering 19**
- 9 Package information 20**
- 10 Revision history 21**

1 Absolute maximum ratings and operating conditions

Table 2. Absolute maximum ratings

Symbol	Parameter	Value	Unit
V_{CC}	Supply voltage ⁽¹⁾	6	V
V_{id}	Differential input voltage ⁽²⁾	± 0.5	V
V_{in}	Input voltage range ⁽³⁾	± 2.5	V
T_{stg}	Storage temperature	-65 to +150	°C
T_j	Maximum junction temperature	150	°C
R_{thja}	Flat-8 thermal resistance junction to ambient	50	°C/W
R_{thjc}	Flat-8 thermal resistance junction to case	30	°C/W
P_{max}	Flat-8 maximum power dissipation ⁽⁴⁾ ($T_{amb} = +25^\circ\text{C}$) for $T_j = 150^\circ\text{C}$	830	mW
ESD	HBM: human body model ⁽⁵⁾ pins 1, 4, 5, 6, 7 and 8 pins 2 and 3	2 0.6	kV
	MM: machine model ⁽⁶⁾ pins 1, 4, 5, 6, 7 and 8 pins 2 and 3	200 80	V
	CDM: charged device model ⁽⁷⁾ pins 1, 4, 5, 6, 7 and 8 pins 2 and 3	1.5 1	kV
	Latch-up immunity	200	mA

- All voltage values are measured with respect to the ground pin.
- Differential voltage is the non-inverting input terminal with respect to the inverting input terminal.
- The magnitude of input and output voltage must never exceed $V_{CC} + 0.3\text{ V}$.
- Short-circuits can cause excessive heating. Destructive dissipation can result from short-circuits on all amplifiers.
- Human body model: a 100 pF capacitor is charged to the specified voltage, then discharged through a 1.5 k Ω resistor between two pins of the device. This is done for all couples of connected pin combinations while the other pins are floating.
- This is a minimum value.
Machine model: a 200 pF capacitor is charged to the specified voltage, then discharged directly between two pins of the device with no external series resistor (internal resistor < 5 Ω). This is done for all couples of connected pin combinations while the other pins are floating.
- Charged device model: all pins and package are charged together to the specified voltage and then discharged directly to ground through only one pin.

Table 3. Operating conditions

Symbol	Parameter	Value	Unit
V_{CC}	Supply voltage	4.5 to 5.5	V
V_{icm}	Common-mode input voltage	$-V_{CC} + 1.5$ to $+V_{CC} - 1.5$	V
T_{amb}	Operating free-air temperature range ⁽¹⁾	-55 to +125	°C

- T_j must never exceed +150°C. $P = (T_j - T_{amb})/R_{thja} = (T_j - T_{case})/R_{thjc}$ with P being the power that the RHF330 must dissipate in the application.

2 Electrical characteristics

Table 4. Electrical characteristics for $V_{CC} = \pm 2.5\text{ V}$, $T_{amb} = +25^\circ\text{ C}$ (unless otherwise specified)

Symbol	Parameter	Test conditions	Temp.	Min.	Typ.	Max.	Unit	
DC performance								
V_{io}	Input offset voltage		+125°C	-3.1		+3.1	mV	
			+25°C	-3.1	0.18	+3.1		
			-55°C	-3.1		+3.1		
I_{ib+}	Non-inverting input bias current		+125°C			55	μA	
			+25°C		26	55		
			-55°C			55		
I_{ib-}	Inverting input bias current		+125°C			34	μA	
			+25°C		7	22		
			-55°C			34		
CMR	Common mode rejection ratio $20 \log (\Delta V_{ic} / \Delta V_{io})$	$\Delta V_{ic} = \pm 1\text{ V}$	+125°C	48			dB	
			+25°C	48	54			
			-55°C	48				
SVR	Supply voltage rejection ratio $20 \log (\Delta V_{CC} / \Delta V_{out})$	$\Delta V_{CC} = 3.5\text{ V to } 5\text{ V}$	+125°C	45			dB	
			+25°C	60	74			
			-55°C	45				
PSRR	Power supply rejection ratio $20 \log (\Delta V_{CC} / \Delta V_{out})$	$\Delta V_{CC} = 200\text{ mV}_{pp}$ at 1 kHz	+25°C		56		dB	
I_{CC}	Supply current	No load	+125°C			20.2	mA	
			+25°C		16.6	20.2		
			-55°C			20.2		
Dynamic performance and output characteristics								
R_{OL}	Transimpedance	$\Delta V_{out} = \pm 1\text{ V}$, $R_L = 100\ \Omega$	+125°C	85			kΩ	
			+25°C	104	153			
			-55°C	85				
Bw	-3 dB bandwidth	$V_{out} = 20\text{ mV}_{pp}$ $R_L = 100\ \Omega$, $A_V = +2$	+25°C		1000		MHz	
			$R_L = 100\ \Omega$, $A_V = -4$	+125°C	400			
				+25°C	400	630		
		-55°C	400					
	Gain flatness at 0.1 dB	$V_{out} = 20\text{ mV}_{pp}$ $A_V = +2$, $R_L = 100\ \Omega$	+25°C		160			

**Table 4. Electrical characteristics for $V_{CC} = \pm 2.5\text{ V}$, $T_{amb} = +25^\circ\text{ C}$
(unless otherwise specified) (continued)**

Symbol	Parameter	Test conditions	Temp.	Min.	Typ.	Max.	Unit
SR	Slew rate	$V_{out} = 2 V_{pp}$, $A_V = +2$, $R_L = 100\ \Omega$	+25°C		1800		V/ μ s
V_{OH}	High level output voltage	$R_L = 100\ \Omega$	+125°C	1.35			V
			+25°C	1.5	1.64		
			-55°C	1.35			
V_{OL}	Low level output voltage	$R_L = 100\ \Omega$	+125°C			-1.35	V
			+25°C		-1.55	-1.5	
			-55°C			-1.35	
I_{out}	$I_{sink}^{(1)}$	Output to GND	+125°C	360			mA
			+25°C	360	453		
			-55°C	360			
	$I_{source}^{(2)}$	Output to GND	+125°C	-320			
			+25°C	-320	-400		
			-55°C	-320			
Noise and distortion							
eN	Equivalent input noise voltage ⁽³⁾	F = 100 kHz	+25°C		1.3		nV/ $\sqrt{\text{Hz}}$
iN	Equivalent positive input noise current ⁽³⁾	F = 100 kHz	+25°C		22		pA/ $\sqrt{\text{Hz}}$
	Equivalent negative input noise current ⁽³⁾	F = 100 kHz	+25°C		16		pA/ $\sqrt{\text{Hz}}$
SFDR	Spurious free dynamic range	$A_V = +2$, $V_{out} = 2 V_{pp}$, $R_L = 100\ \Omega$					dBc
		F = 10 MHz	+25°C		-78		
		F = 20 MHz	+25°C		-73		
		F = 100 MHz	+25°C		-48		
		F = 150 MHz	+25°C		-37		

1. See [Figure 11](#) for more details.

2. See [Figure 10](#) for more details.

3. See [Chapter 5 on page 14](#).

Table 5. Closed-loop gain and feedback components

Gain (V/V)	+ 1	1	+ 2	- 2	+ 4	- 4	+ 10	- 10
R_{fb} (Ω)	300	270	300	270	240	240	200	200

Figure 1. Frequency response, positive gain Figure 2. Flatness, gain = +2 compensated

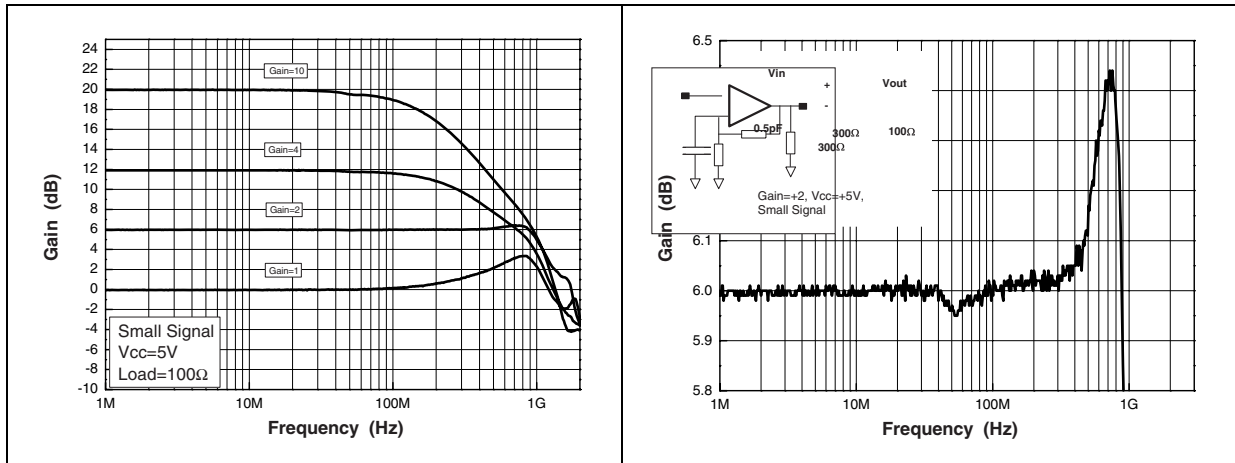


Figure 3. Flatness, gain = +4 compensated Figure 4. Flatness, gain = +10 compensated

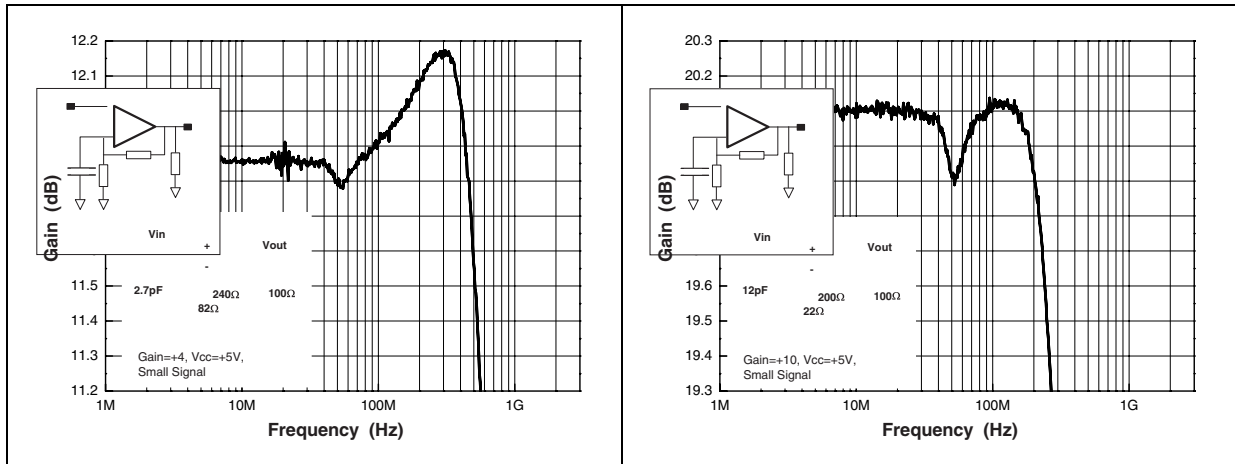


Figure 5. Quiescent current vs. V_{CC} Figure 6. Positive slew rate

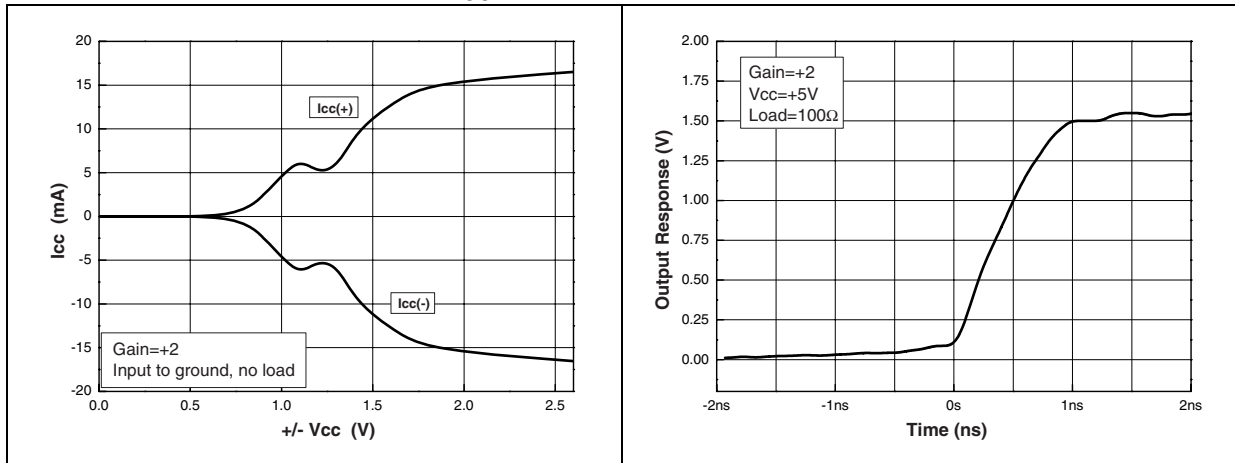


Figure 7. Negative slew rate

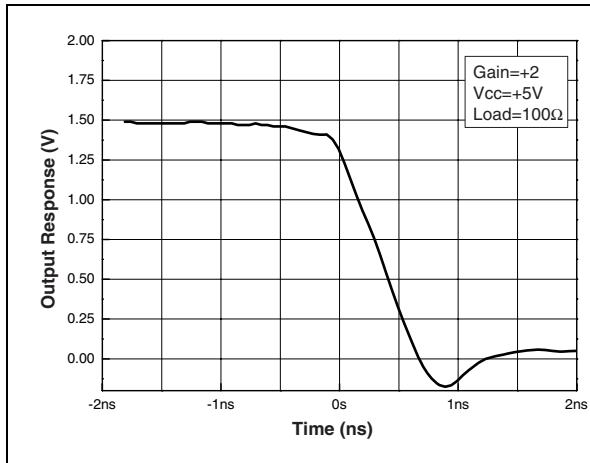


Figure 8. Output amplitude vs. load

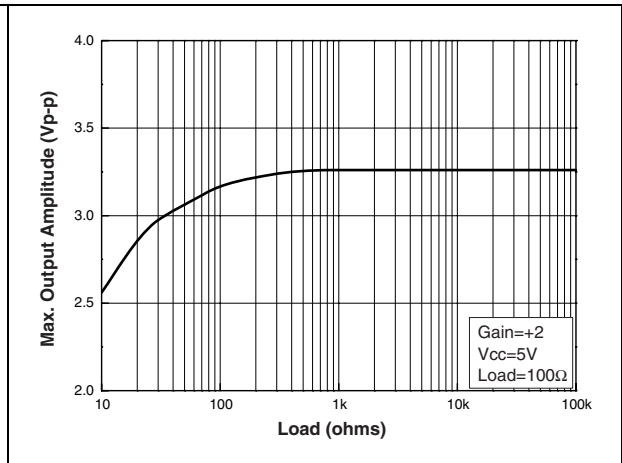


Figure 9. Distortion vs. amplitude

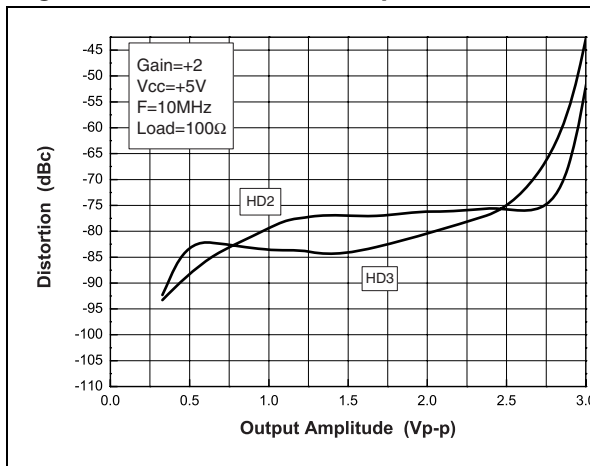


Figure 10. I_{source}

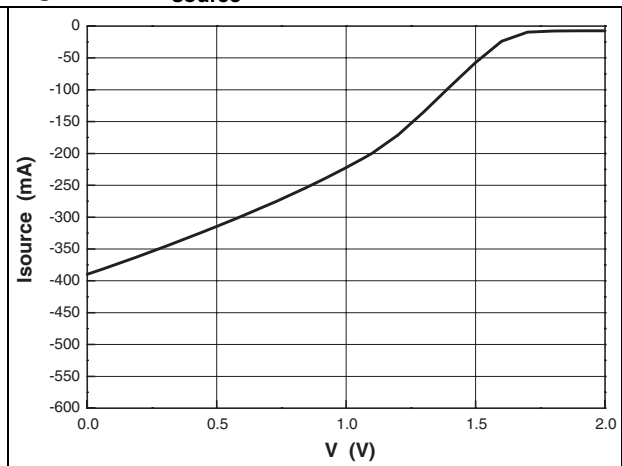


Figure 11. I_{sink}

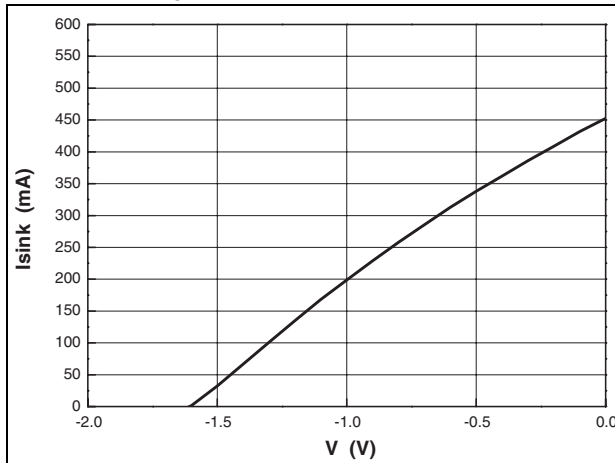


Figure 12. Noise figure

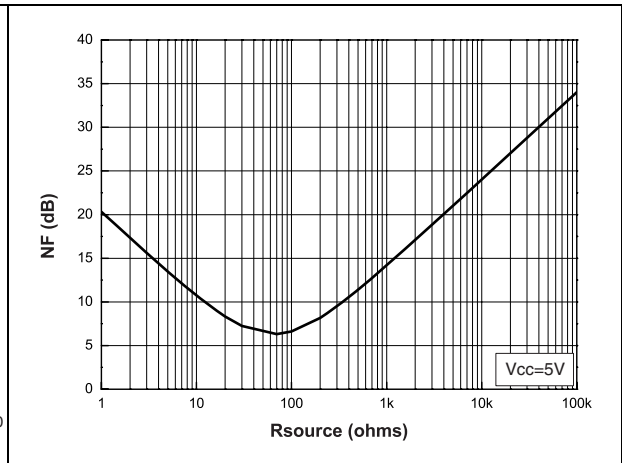


Figure 13. Input current noise vs. frequency

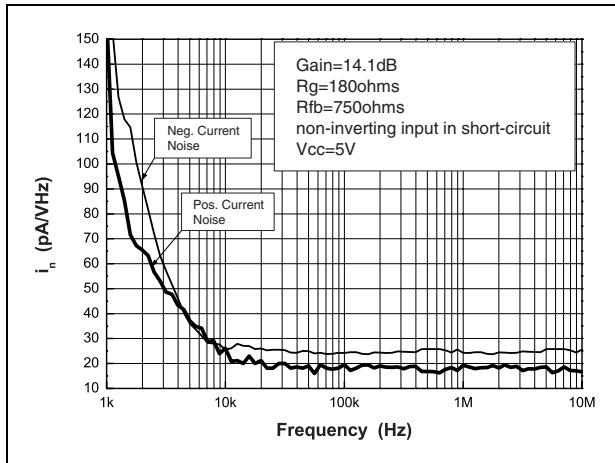


Figure 14. Input voltage noise vs. frequency

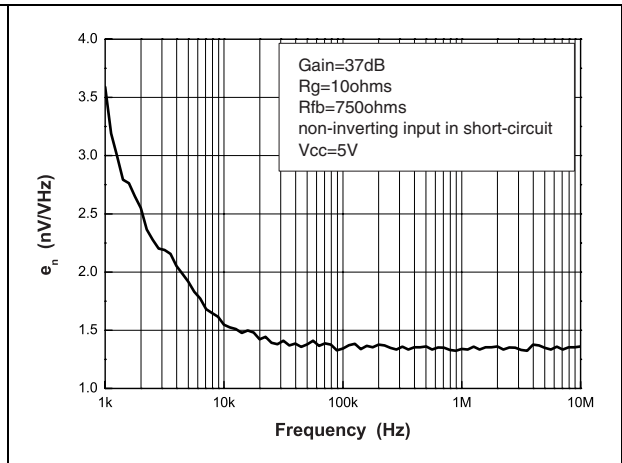


Figure 15. Reverse isolation vs. frequency

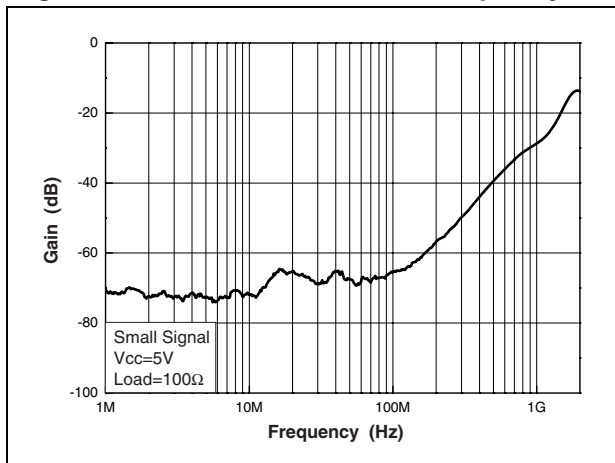


Figure 16. I_{out} vs. temperature

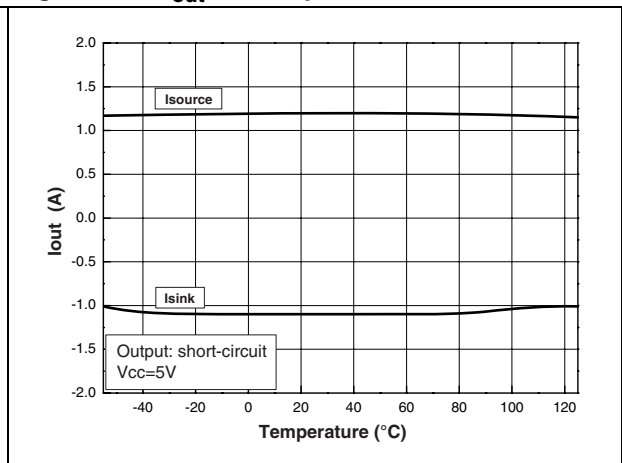


Figure 17. CMR vs. temperature

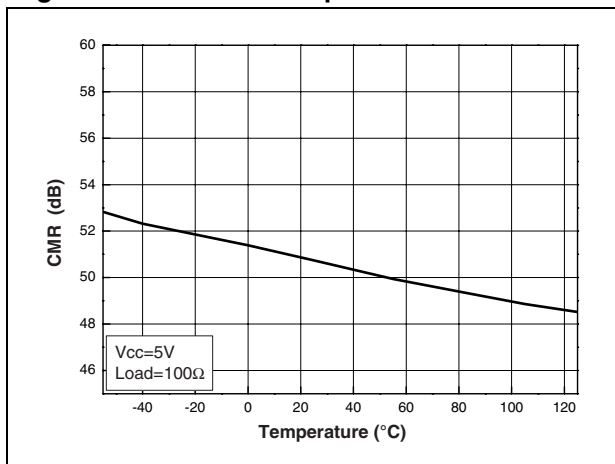


Figure 18. SVR vs. temperature

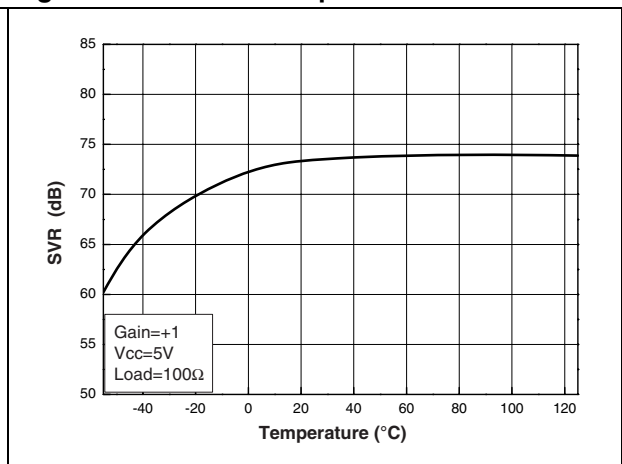


Figure 19. R_{OL} vs. temperature

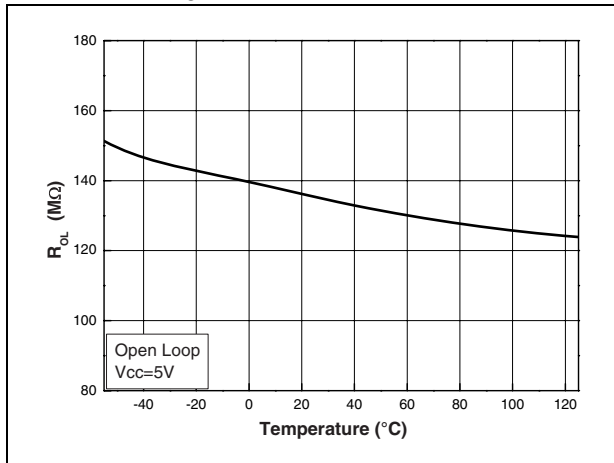


Figure 20. V_{OH} and V_{OL} vs. temperature

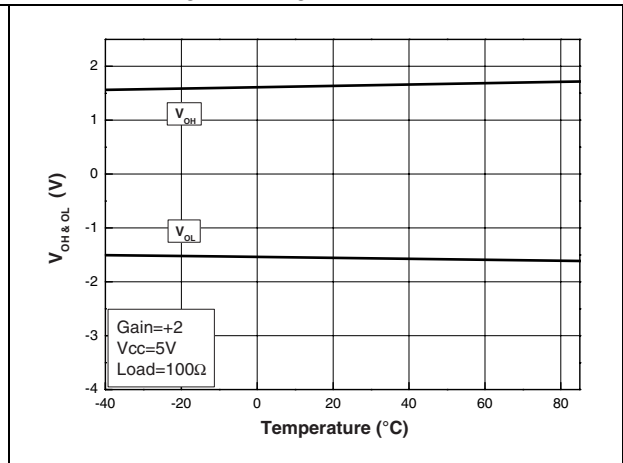


Figure 21. I_{bias} vs. temperature

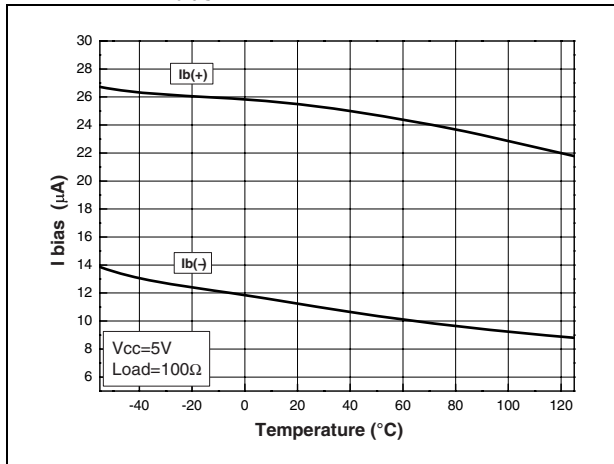


Figure 22. I_{CC} vs. temperature

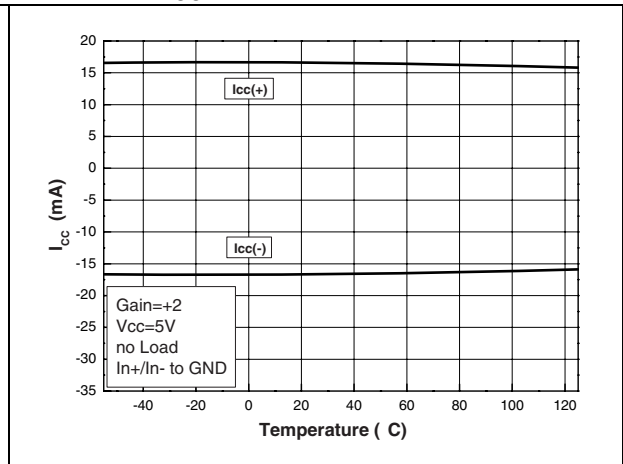
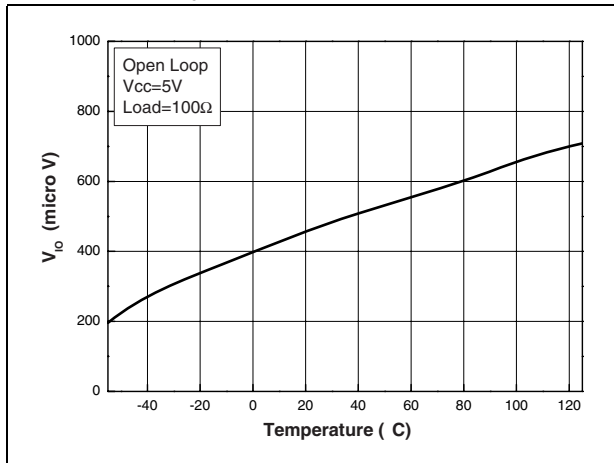


Figure 23. V_{io} vs. temperature



3 Demonstration board schematics

Figure 24. Electrical schematics (inverting and non-inverting gain configurations)

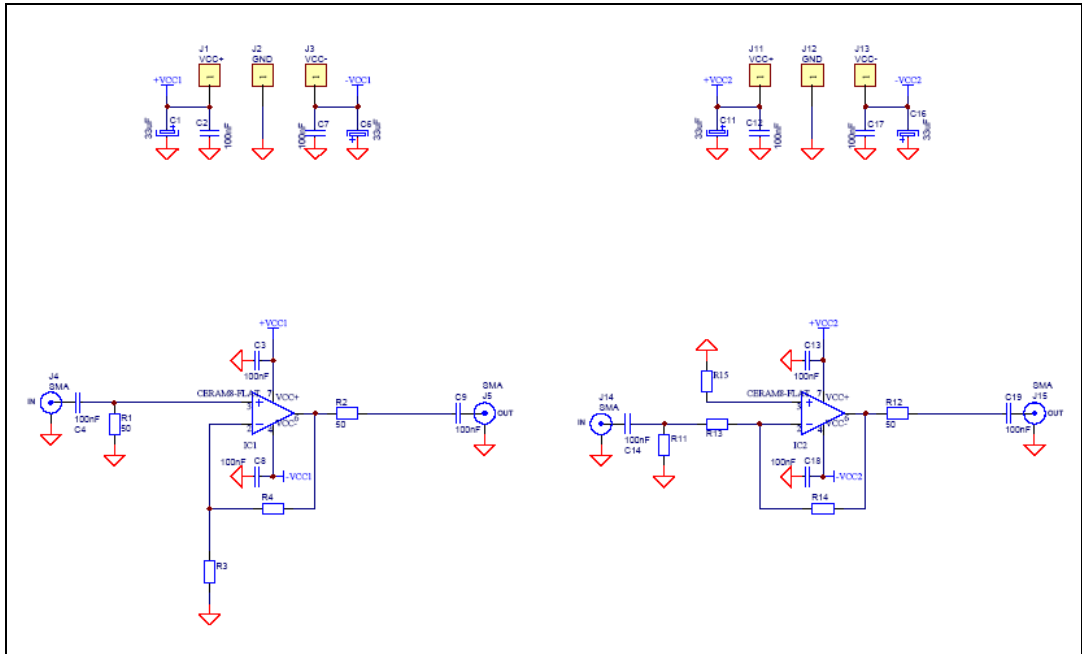


Figure 25. RHF3xx demonstration board

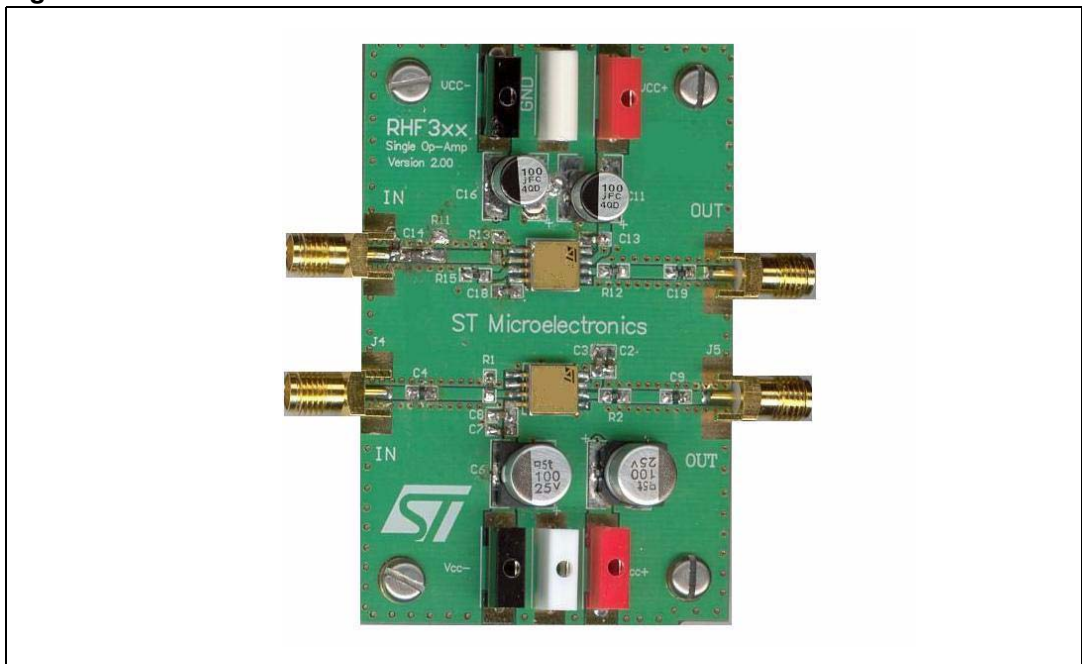


Figure 26. Top view layout

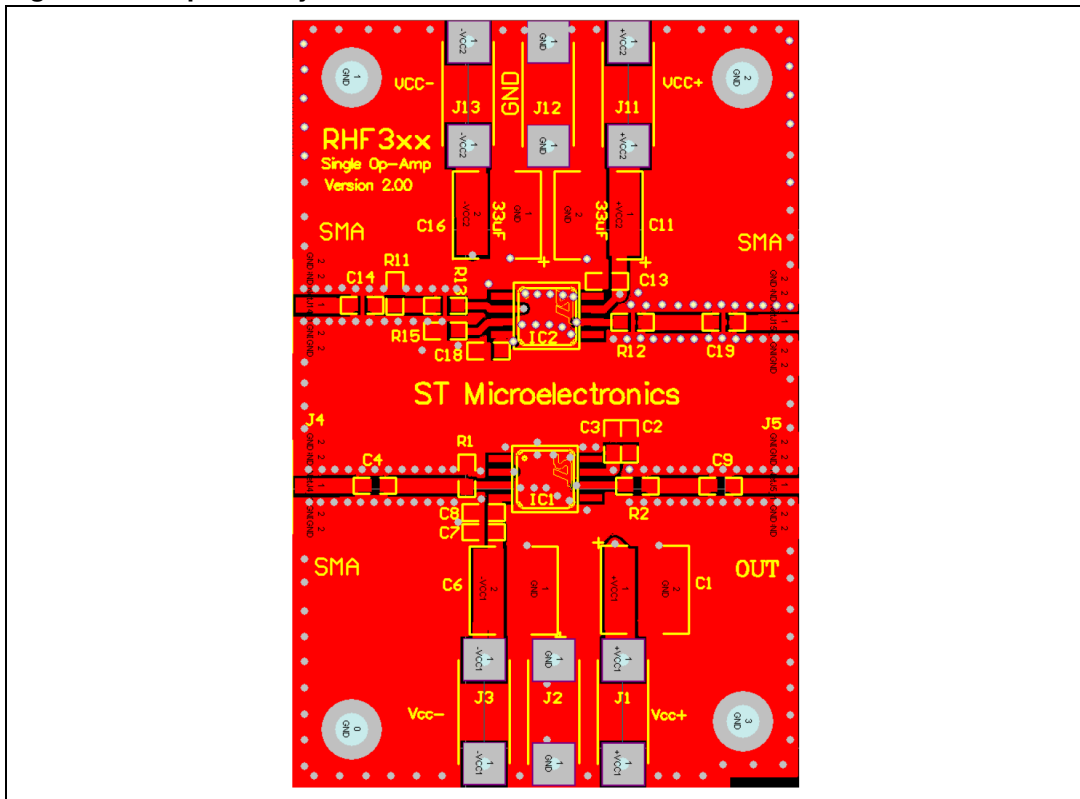
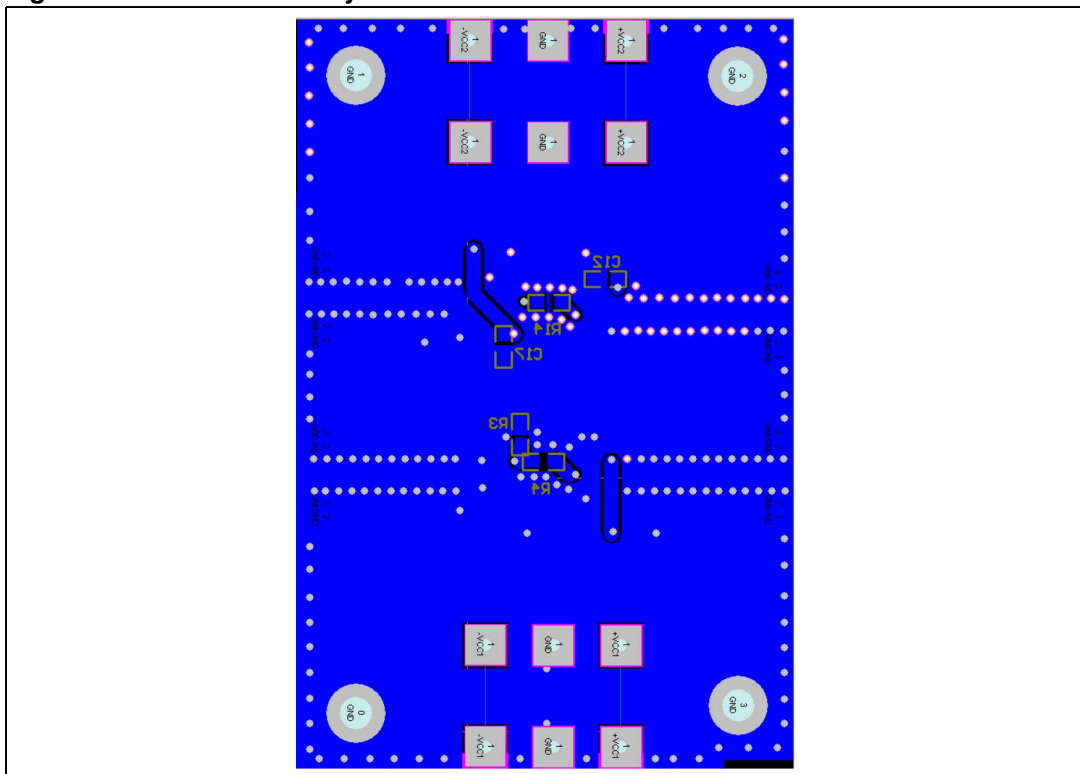


Figure 27. Bottom view layout

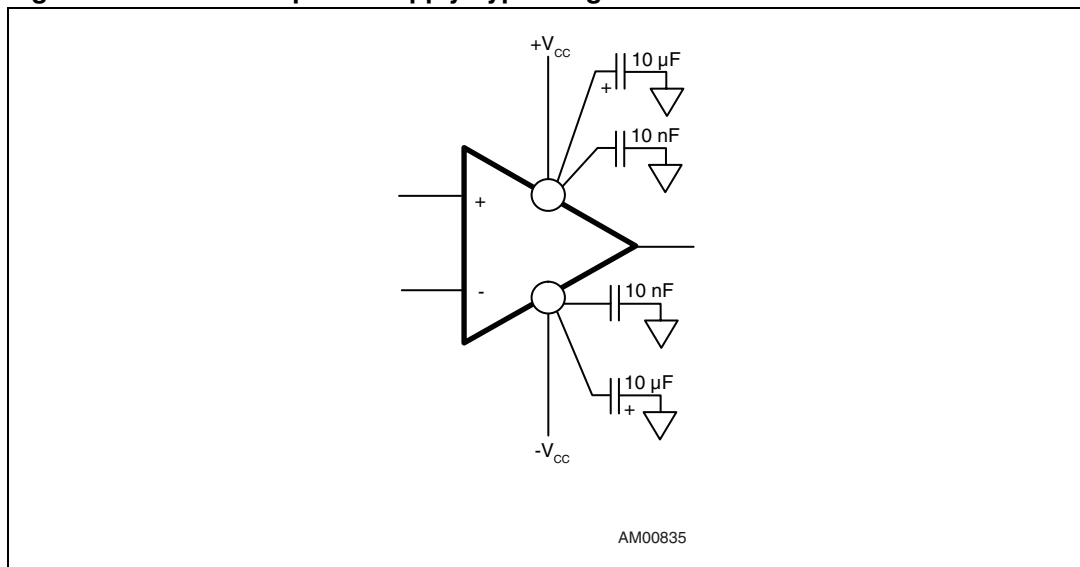


4 Power supply considerations

Correct power supply bypassing is very important for optimizing performance in high-frequency ranges. The bypass capacitors should be placed as close as possible to the IC pins to improve high-frequency bypassing. A capacitor greater than $1\ \mu\text{F}$ is necessary to minimize the distortion. For better quality bypassing, a $10\ \text{nF}$ capacitor can be added. It should also be placed as close as possible to the IC pins. The bypass capacitors must be incorporated for both the negative and the positive supply.

For example, on the RHF3xx single op-amp demonstration board, these capacitors are C6, C7, C8, C9.

Figure 28. Circuit for power supply bypassing



4.1 Single power supply

In the event that a single supply system is used, biasing is necessary to obtain a positive output dynamic range between $0\ \text{V}$ and $+V_{CC}$ supply rails. Considering the values of V_{OH} and V_{OL} , the amplifier provides an output swing from $+0.9\ \text{V}$ to $+4.1\ \text{V}$ on a $100\ \Omega$ load.

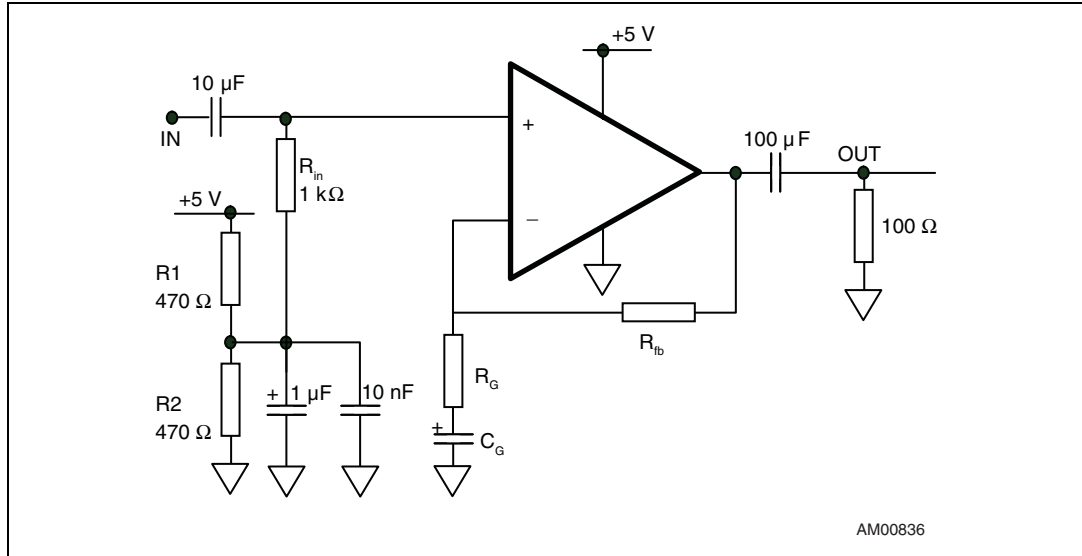
The amplifier must be biased with a mid-supply (nominally $+V_{CC}/2$), in order to maintain the DC component of the signal at this value. Several options are possible to provide this bias supply, such as a virtual ground using an operational amplifier or a two-resistance divider (which is the cheapest solution). A high resistance value is required to limit the current consumption. On the other hand, the current must be high enough to bias the non-inverting input of the amplifier. If we consider this bias current ($55\ \mu\text{A}$ maximum) as 1% of the current through the resistance divider, to keep a stable mid-supply, two resistances of $470\ \Omega$ can be used.

The input provides a high-pass filter with a break frequency below $10\ \text{Hz}$ which is necessary to remove the original $0\ \text{V}$ DC component of the input signal, and to set it at $+V_{CC}/2$.

[Figure 29 on page 13](#) illustrates a $5\ \text{V}$ single power supply configuration for the RHF3xx single op-amp demonstration board.

A capacitor C_G is added in the gain network to ensure a unity gain at low frequencies to keep the right DC component at the output. C_G contributes to a high-pass filter with R_{fb}/R_G and its value is calculated with regard to the cut-off frequency of this low-pass filter.

Figure 29. Circuit for +5 V single supply

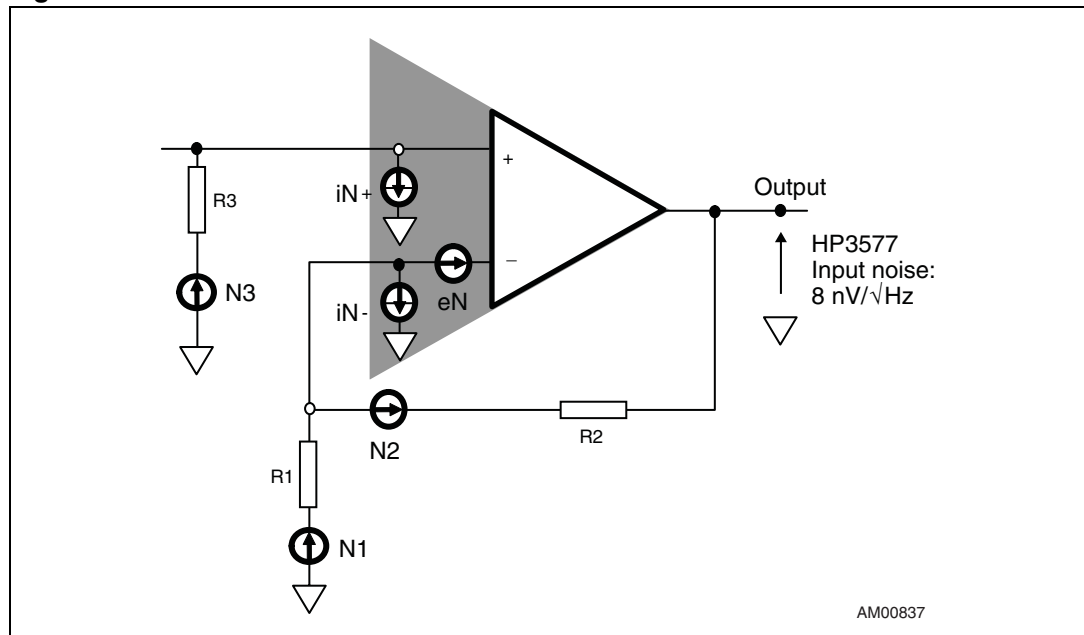


5 Noise measurements

The noise model is shown in [Figure 30](#).

- eN: input voltage noise of the amplifier
- iNn: negative input current noise of the amplifier
- iNp: positive input current noise of the amplifier

Figure 30. Noise model



The thermal noise of a resistance R is:

$$\sqrt{4kTR\Delta F}$$

where ΔF is the specified bandwidth.

On a 1 Hz bandwidth the thermal noise is reduced to:

$$\sqrt{4kTR}$$

where k is the Boltzmann's constant, equal to $1,374.E(-23)J/^{\circ}K$. T is the temperature ($^{\circ}K$).

The output noise eNo is calculated using the superposition theorem. However, eNo is not the simple sum of all noise sources but rather the square root of the sum of the square of each noise source, as shown in [Equation 1](#).

Equation 1

$$eNo = \sqrt{V1^2 + V2^2 + V3^2 + V4^2 + V5^2 + V6^2}$$

Equation 2

$$eNo^2 = eN^2 \times g^2 + iNn^2 \times R2^2 + iNp^2 \times R3^2 \times g^2 + \frac{R2^2}{R1} \times 4kTR1 + 4kTR2 + 1 + \frac{R2^2}{R1} \times 4kTR3$$

The input noise of the instrumentation must be extracted from the measured noise value. The real output noise value of the driver is:

Equation 3

$$eNo = \sqrt{(\text{Measured})^2 - (\text{instrumentation})^2}$$

The input noise is called **equivalent input noise** because it is not directly measured but is evaluated from the measurement of the output divided by the closed loop gain (eNo/g).

After simplification of the fourth and the fifth term of [Equation 2](#) we obtain:

Equation 4

$$eNo^2 = eN^2 \times g^2 + iNn^2 \times R2^2 + iNp^2 \times R3^2 \times g^2 + g \times 4kTR2 + 1 + \frac{R2^2}{R1} \times 4kTR3$$

5.1 Measurement of the input voltage noise eN

If we assume a short-circuit on the non-inverting input (R3=0), from [Equation 4](#) we can derive:

Equation 5

$$eNo = \sqrt{eN^2 \times g^2 + iNn^2 \times R2^2 + g \times 4kTR2}$$

To easily extract the value of eN, the resistance R2 is as low as possible. On the other hand, the gain must be large enough.

$$R3=0, \text{ gain: } g=100$$

5.2 Measurement of the negative input current noise iNn

To measure the negative input current noise iNn, we set R3=0 and use [Equation 5](#). This time, the gain must be lower to decrease the thermal noise contribution.

$$R3=0, \text{ gain: } g=10$$

5.3 Measurement of the positive input current noise iNp

To extract iNp from [Equation 3](#), a resistance R3 is connected to the non-inverting input. The value of R3 must be chosen so that its thermal noise contribution is as low as possible against the iNp contribution.

$$R3=100 \text{ W, gain: } g=10$$

6 Intermodulation distortion product

The non-ideal output of the amplifier can be described by the following series of equations.

$$V_{out} = C_0 + C_1 V_{in} + C_2 V_{in}^2 + \dots + C_n V_{in}^n$$

Where the input is $V_{in}=A\sin\alpha$, C_0 is the DC component, $C_1(V_{in})$ is the fundamental and C_n is the amplitude of the harmonics of the output signal V_{out} .

A one-frequency (one-tone) input signal contributes to harmonic distortion. A two-tone input signal contributes to harmonic distortion and to the intermodulation product.

The study of the intermodulation and distortion for a two-tone input signal is the first step in characterizing the driving capability of multi-tone input signals.

In this case:

$$V_{in} = A\sin\omega_1 t + A\sin\omega_2 t$$

Then:

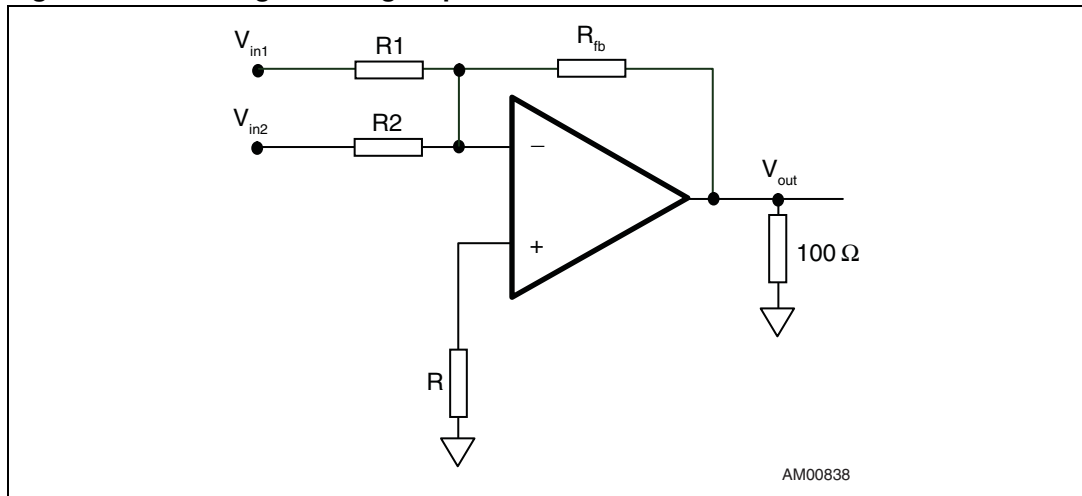
$$V_{out} = C_0 + C_1(A\sin\omega_1 t + A\sin\omega_2 t) + C_2(A\sin\omega_1 t + A\sin\omega_2 t)^2 \dots + C_n(A\sin\omega_1 t + A\sin\omega_2 t)^n$$

From this expression, we can extract the distortion terms and the intermodulation terms from a single sine wave.

- Second order intermodulation terms IM2 by the frequencies $(\omega_1 - \omega_2)$ and $(\omega_1 + \omega_2)$ with an amplitude of $C_2 A^2$.
- Third order intermodulation terms IM3 by the frequencies $(2\omega_1 - \omega_2)$, $(2\omega_1 + \omega_2)$, $(-\omega_1 + 2\omega_2)$ and $(\omega_1 - 2\omega_2)$ with an amplitude of $(3/4)C_3 A^3$.

The intermodulation product of the driver is measured by using the driver as a mixer in a summing amplifier configuration ([Figure 31 on page 17](#)). In this way, the non-linearity problem of an external mixing device is avoided.

Figure 31. Inverting summing amplifier



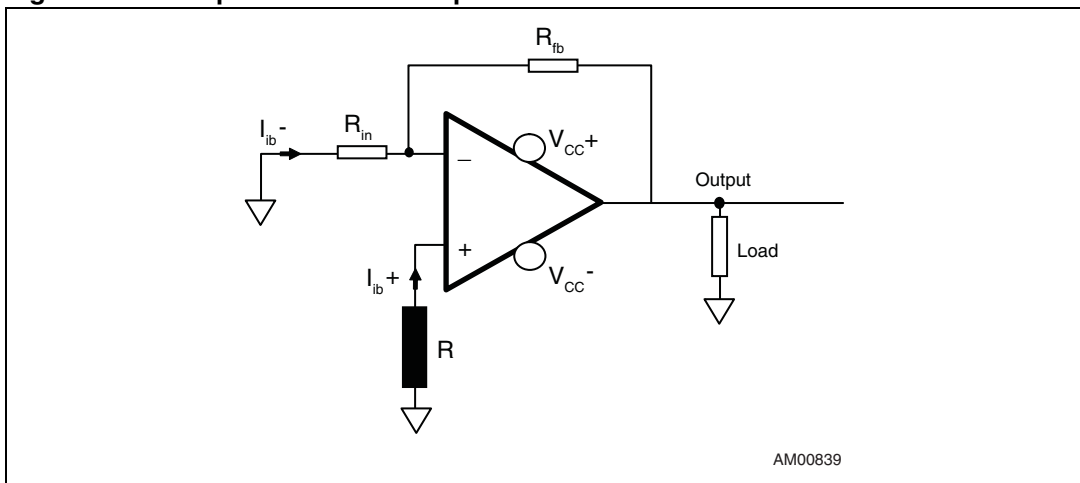
7 Bias of an inverting amplifier

A resistance is necessary to achieve good input biasing, such as resistance R shown in [Figure 32](#).

The value of this resistance is calculated from the negative and positive input bias current. The aim is to compensate for the offset bias current, which can affect the input offset voltage and the output DC component. Assuming I_{ib-} , I_{ib+} , R_{in} , R_{fb} and a zero volt output, the resistance R is:

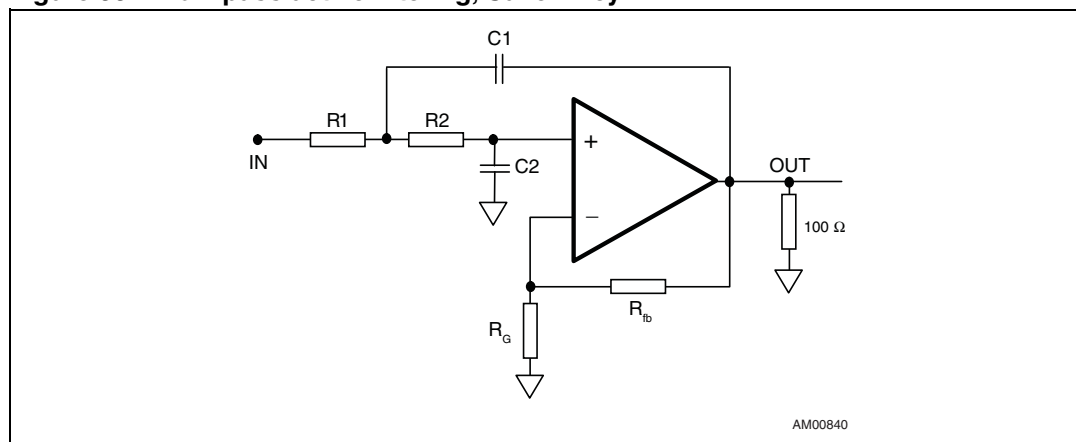
$$R = \frac{R_{in} \times R_{fb}}{R_{in} + R_{fb}}$$

Figure 32. Compensation of the input bias current



8 Active filtering

Figure 33. Low-pass active filtering, Sallen-Key



From the resistors R_{fb} and R_G we can directly calculate the gain of the filter in a classic non-inverting amplification configuration.

$$A_V = g = 1 + \frac{R_{fb}}{R_G}$$

We assume the following expression is the response of the system.

$$T_{j\omega} = \frac{V_{out_{j\omega}}}{V_{in_{j\omega}}} = \frac{g}{1 + 2\zeta \frac{j\omega}{\omega_c} + \frac{(j\omega)^2}{\omega_c^2}}$$

The cut-off frequency is not gain-dependent and so becomes:

$$\omega_c = \frac{1}{\sqrt{R_1 R_2 C_1 C_2}}$$

The damping factor is calculated by the following expression.

$$\zeta = \frac{1}{2} \omega_c (C_1 R_1 + C_1 R_2 + C_2 R_1 - C_1 R_1 g)$$

The higher the gain, the more sensitive the damping factor is. When the gain is higher than 1, it is preferable to use very stable resistor and capacitor values. In the case of $R_1=R_2=R$:

$$\zeta = \frac{2C_2 - C_1 \frac{R_{fb}}{R_g}}{2\sqrt{C_1 C_2}}$$

Due to a limited selection of capacitor values in comparison with the resistors, we can set $C_1=C_2=C$, so that:

$$\zeta = \frac{2R_2 - R_1 \frac{R_{fb}}{R_g}}{2\sqrt{R_1 R_2}}$$

9 Package information

In order to meet environmental requirements, ST offers these devices in different grades of ECOPACK® packages, depending on their level of environmental compliance. ECOPACK® specifications, grade definitions and product status are available at: www.st.com. ECOPACK® is an ST trademark.

Figure 34. Ceramic Flat-8 package mechanical drawing

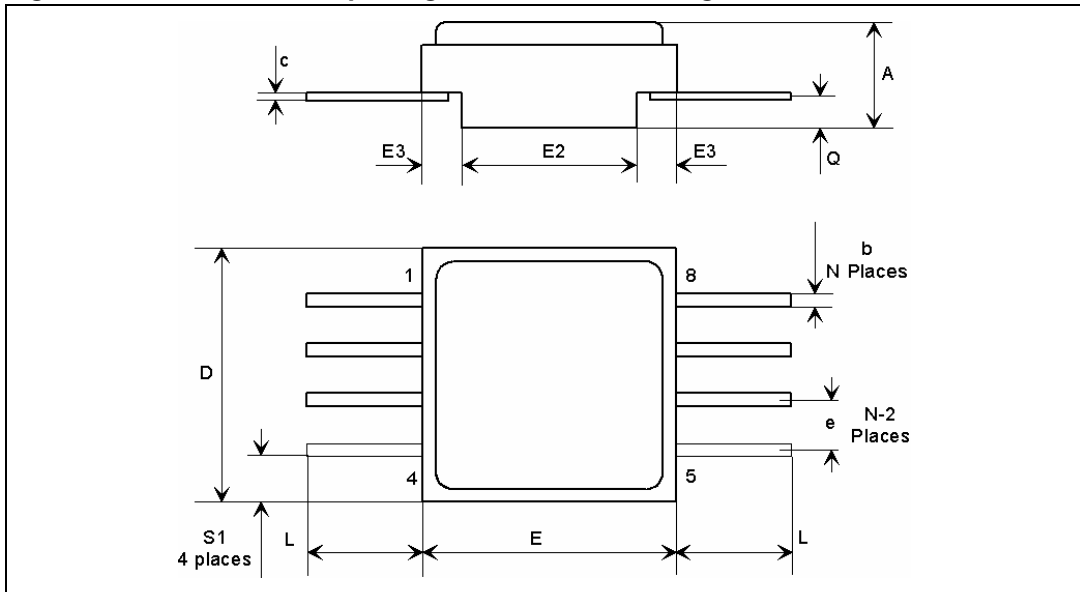


Table 6. Ceramic Flat-8 package mechanical data

Ref.	Dimensions					
	Millimeters			Inches		
	Min.	Typ.	Max.	Min.	Typ.	Max.
A	2.24	2.44	2.64	0.088	0.096	0.104
b	0.38	0.43	0.48	0.015	0.017	0.019
c	0.10	0.13	0.16	0.004	0.005	0.006
D	6.35	6.48	6.61	0.250	0.255	0.260
E	6.35	6.48	6.61	0.250	0.255	0.260
E2	4.32	4.45	4.58	0.170	0.175	0.180
E3	0.88	1.01	1.14	0.035	0.040	0.045
e		1.27			0.050	
L		3.00			0.118	
Q	0.66	0.79	0.92	0.026	0.031	0.092
S1	0.92	1.12	1.32	0.036	0.044	0.052
N	08			08		

10 Revision history

Table 7. Document revision history

Date	Revision	Changes
20-May-2009	1	Initial release.
04-May-2010	2	Modified temperature limits in Table 4 . Changed order codes in Table 7 .
27-May-2010	3	Added <i>Mass</i> in Features on cover page. Added full ordering information in Table 1 .

Please Read Carefully:

Information in this document is provided solely in connection with ST products. STMicroelectronics NV and its subsidiaries ("ST") reserve the right to make changes, corrections, modifications or improvements, to this document, and the products and services described herein at any time, without notice.

All ST products are sold pursuant to ST's terms and conditions of sale.

Purchasers are solely responsible for the choice, selection and use of the ST products and services described herein, and ST assumes no liability whatsoever relating to the choice, selection or use of the ST products and services described herein.

No license, express or implied, by estoppel or otherwise, to any intellectual property rights is granted under this document. If any part of this document refers to any third party products or services it shall not be deemed a license grant by ST for the use of such third party products or services, or any intellectual property contained therein or considered as a warranty covering the use in any manner whatsoever of such third party products or services or any intellectual property contained therein.

UNLESS OTHERWISE SET FORTH IN ST'S TERMS AND CONDITIONS OF SALE ST DISCLAIMS ANY EXPRESS OR IMPLIED WARRANTY WITH RESPECT TO THE USE AND/OR SALE OF ST PRODUCTS INCLUDING WITHOUT LIMITATION IMPLIED WARRANTIES OF MERCHANTABILITY, FITNESS FOR A PARTICULAR PURPOSE (AND THEIR EQUIVALENTS UNDER THE LAWS OF ANY JURISDICTION), OR INFRINGEMENT OF ANY PATENT, COPYRIGHT OR OTHER INTELLECTUAL PROPERTY RIGHT.

UNLESS EXPRESSLY APPROVED IN WRITING BY AN AUTHORIZED ST REPRESENTATIVE, ST PRODUCTS ARE NOT RECOMMENDED, AUTHORIZED OR WARRANTED FOR USE IN MILITARY, AIR CRAFT, SPACE, LIFE SAVING, OR LIFE SUSTAINING APPLICATIONS, NOR IN PRODUCTS OR SYSTEMS WHERE FAILURE OR MALFUNCTION MAY RESULT IN PERSONAL INJURY, DEATH, OR SEVERE PROPERTY OR ENVIRONMENTAL DAMAGE. ST PRODUCTS WHICH ARE NOT SPECIFIED AS "AUTOMOTIVE GRADE" MAY ONLY BE USED IN AUTOMOTIVE APPLICATIONS AT USER'S OWN RISK.

Resale of ST products with provisions different from the statements and/or technical features set forth in this document shall immediately void any warranty granted by ST for the ST product or service described herein and shall not create or extend in any manner whatsoever, any liability of ST.

ST and the ST logo are trademarks or registered trademarks of ST in various countries.

Information in this document supersedes and replaces all information previously supplied.

The ST logo is a registered trademark of STMicroelectronics. All other names are the property of their respective owners.

© 2010 STMicroelectronics - All rights reserved

STMicroelectronics group of companies

Australia - Belgium - Brazil - Canada - China - Czech Republic - Finland - France - Germany - Hong Kong - India - Israel - Italy - Japan - Malaysia - Malta - Morocco - Philippines - Singapore - Spain - Sweden - Switzerland - United Kingdom - United States of America

www.st.com