

6

5

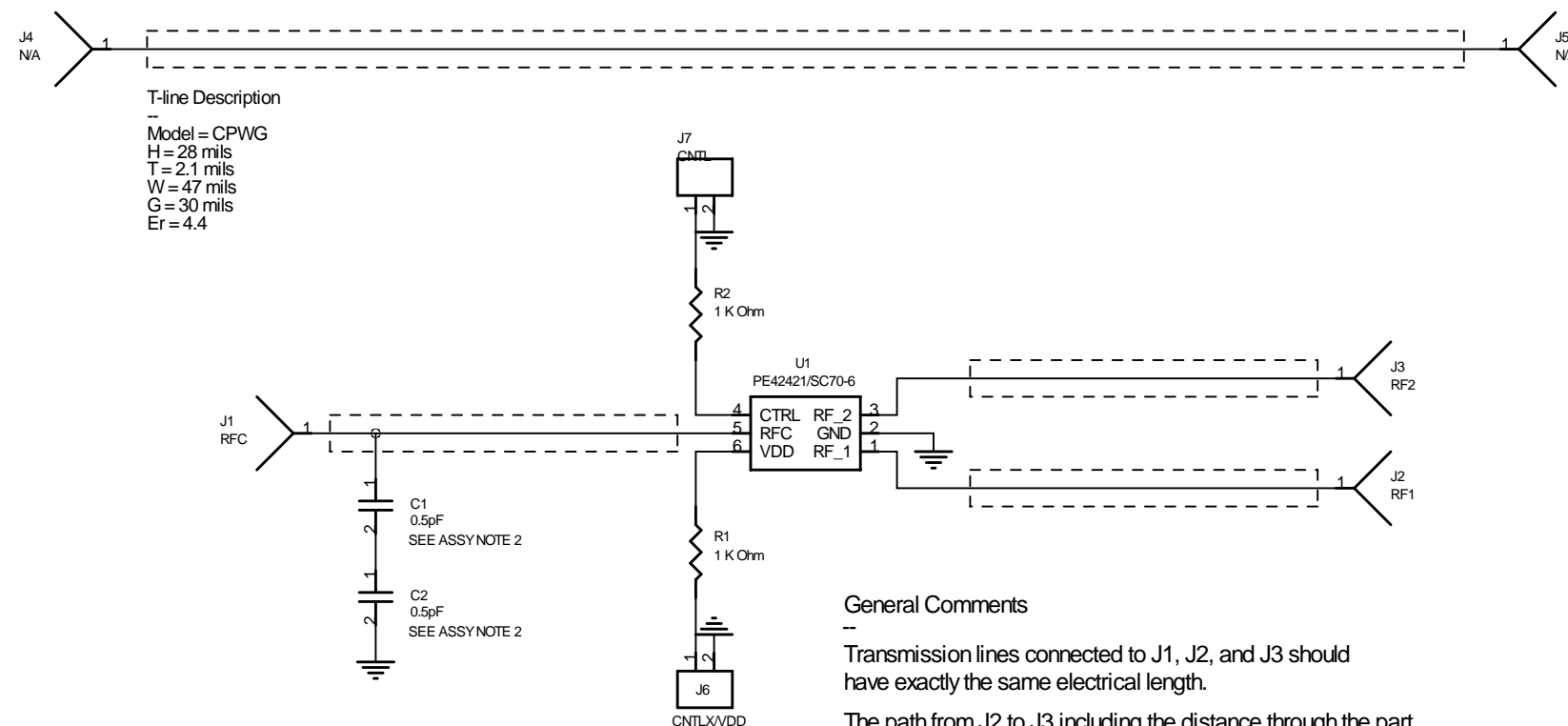
4

3

2

1

REVISION RECORD			
LTR	ECONO:	APPROVED:	DATE:



NOTES:

1. USE PCB PART NUMBER: 101-0162-02.
2. ADD TWO 0.5PF CAPS IN SERIES TO BE SHUNTED ON THE J1 SMA INPUT.  
 SOLDER C1 SIDE 1 TO THE RF TRACE CLOSE TO THE J1 PIN.  
 SOLDER C1 SIDE 2 TO C2 SIDE 1.  
 SOLDER C2 SIDE 2 TO GROUND.

COMPANY: PEREGRINE SEMICONDUCTOR			
TITLE: SCHEMATIC, PE42421 SC70 SPDT SWITCH EK			
CODE:	SIZE: B	DRAWING NO: 102-0756	REV: 01
SCALE:		SHEET: 1 of 1	

DRAWN: S. Johnson	DATED: 9-07-11
CHECKED: Stephen Knox	DATED: 9-07-11
QUALITY CONTROL:	DATED:
RELEASED:	DATED:

Item	Qty	Reference	Value	Description	Manufacturer	Manufacturer Part Number	Distributor	Distributor Part Number	Data Sheet	Notes
1	2	C1-2	0.5pF				Murata Electronics	GRM1885C	Digi-Key	490-1370-2-ND
2	1	J7	CNTL							
3	1	J6	CNTLX/VDD							
4	1	U1	PE42421/SC70-6							
5	2	R1-2	1 K Ohm				YAGEO	9C04021A1	DIGIKEY	311-1.00KLTR-ND
6	2	J4-5	N/A	SMA Connector (Side Mount)						
7	1	J2	RF1	SMA Connector (Side Mount)						
8	1	J3	RF2	SMA Connector (Side Mount)						
9	1	J1	RFC	SMA Connector (Side Mount)						
10	1	101-0162-02	PCB, PE42421SC70 SPDT SWITCH EK							