

6

5

4

3

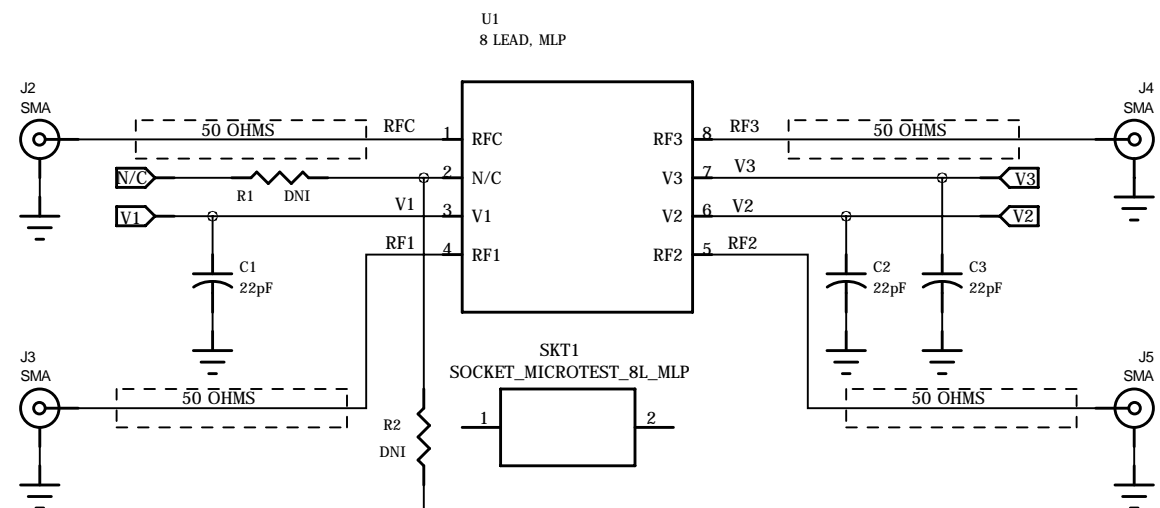
2

1

REVISION RECORD			
LTR	ECO NO:	APPROVED:	DATE:
02	SEE NOTE BELOW	ARMANDO	2-24-12

D

D



C

C

B

B

NOTE: R1 & R2 REFDES SWAPPED ON PCBs
 101-0604-01 & 101-0610-01
 SAME DONE ON THIS SCHEMATIC TO MATCH.
 THIS IS A TEMPORARY FIX TO AVOID RE-BUILDING PCB.

A

A

USE PCB PART NUMBER: 101-0604-01 & 101-0610-01

DRAWN: JEFF LUNDY	DATED: 4-19-11
CHECKED: FLEMING LAM	DATED: 4-19-11
QUALITY CONTROL:	DATED:
RELEASED:	DATED:

COMPANY: PEREGRINE SEMICONDUCTOR			
TITLE: SCHEMATIC, PE42430 8 LEAD MLP EVK			
CODE:	SIZE:	DRAWING NO: 102-0709	REV: 02
SCALE:			SHEET: 1 of 1

Item	Qty	Reference	Value	Part Description	Peregrine P/N	Manufacturer	Manufacturer Part Number	Distributor	Distributor Part Number	Data Sheet	Notes
1	1	U1	Ø LEAD, MLP			PEREGRINE SEMI		PEREGRINE SEMI			
2	3	C1-3	225F			MURATA	GRM1555C1H220JZ01D	Digi-Key	490-1283-2-ND	http://search.digikey.com/scripts/DkSearch/dksus.dll?Detail&name=490-1283-2-ND	
3	1	J1	HEADER Ø PIN								
4	2	R1-2	DNI	Resistor, DNI,1/16W, ±5%, RoHs, 0402		Panasonic - ECG	ERJ-2GE0R00X	Digi-Key	P0.QJCT-ND	http://search.digikey.com/scripts/DkSearch/dksus.dll?Detail&name=P0.QJCT-ND	
5	6	J2-7	SMA	SMA CONN, 50 OHM END LAUNCH, JACK RECEPTACLE-ROUND CONTACT		Johanson Components Inc.	142-0701-801	Digi-Key	J502-ND	http://rocky.digikey.com/WebLib/Johnson%20Components/Web%20Data/142-0701-801.%20142-0701-806.pdf	
6	1	SKT1	IC SOCKET	SOCKET, MICROTTEST, 8L, MLP		MICROTEST					
7	1	PCB		PE42430 1.5x1.5 mm 8LD UDFN	101-0604-01 & 101-0610-01						