



# TAI-SAW TECHNOLOGY CO., LTD.

No. 3, Industrial 2nd Rd., Ping-Chen Industrial District,  
Taoyuan, 324, Taiwan, R.O.C.

TEL: 886-3-4690038 FAX: 886-3-4697532

E-mail: [tstsales@mail.taisaw.com](mailto:tstsales@mail.taisaw.com) Web: [www.taisaw.com](http://www.taisaw.com)

## Product Specifications Approval Sheet


Product Description: SAW Filter 914.5 MHz SMD 3.0x3.0 mm

TST Part No.: TA1163A

Customer Part No.: \_\_\_\_\_

Customer signature required
Company: _____
Division: _____
Approved by : _____
Date: _____

Checked by: \_\_\_\_\_ David Chang 張閔智

Approved by: \_\_\_\_\_ Francis Chen 

Date: \_\_\_\_\_ 2010/01/29

1. Customer signed back is required before TST can proceed with sample build and receive orders.
2. Orders received without customer signed back will be regarded as agreement on the specifications.
3. Any specifications changes must be approved upon by both parties and a new revision of specifications shall be released to reflect the changes.



# TAI-SAW TECHNOLOGY CO., LTD.

No. 3, Industrial 2nd Rd., Ping-Chen Industrial District,  
Taoyuan, 324, Taiwan, R.O.C.

TEL: 886-3-4690038 FAX: 886-3-4697532

E-mail: [tstsales@mail.taisaw.com](mailto:tstsales@mail.taisaw.com) Web: [www.taisaw.com](http://www.taisaw.com)

## SAW Filter 914.5 MHz

MODEL NO.: TA1163A

REV. NO.:1

### A. MAXIMUM RATING:

1. Input Power Level: 10 dB<sub>m</sub>
2. DC voltage: 3 V
3. Operating Temperature: -20°C to +70°C
4. Storage Temperature: -30°C to +85°C

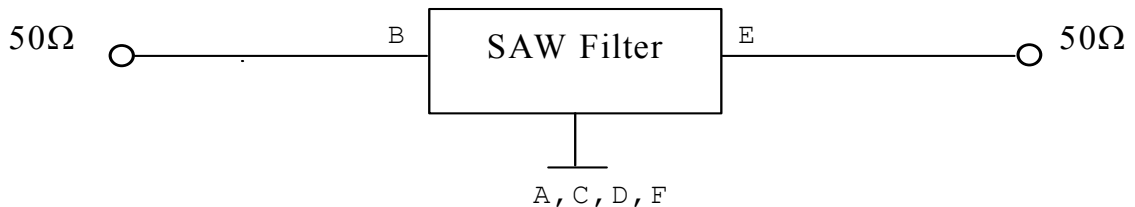
RoHS Compliant  
Lead free  
Lead-free soldering

### B. ELECTRICAL CHARACTERISTICS:

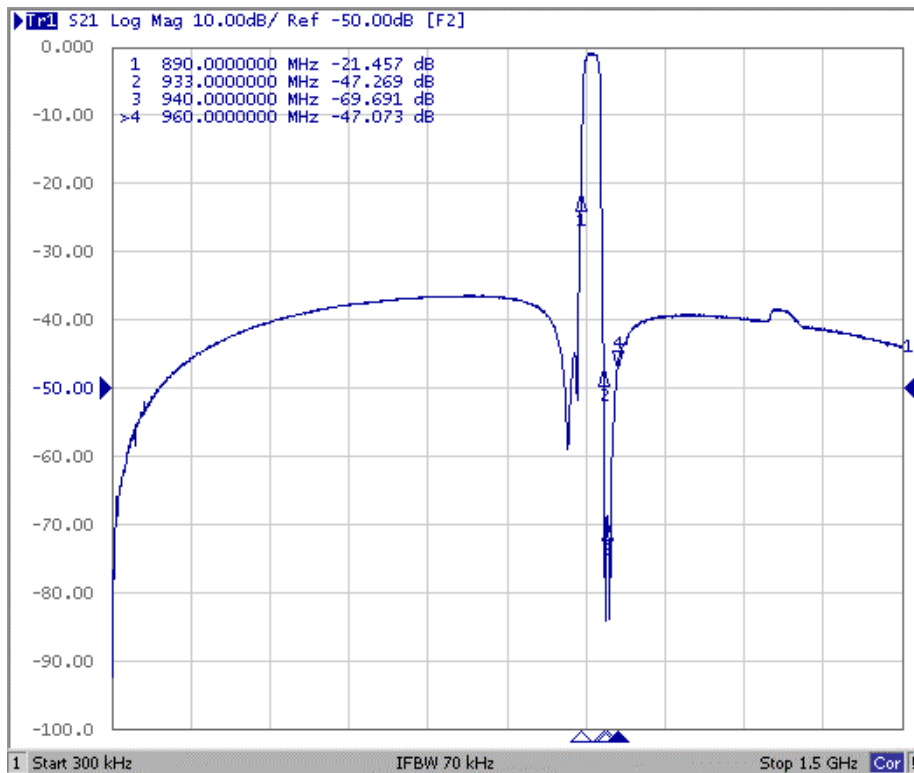
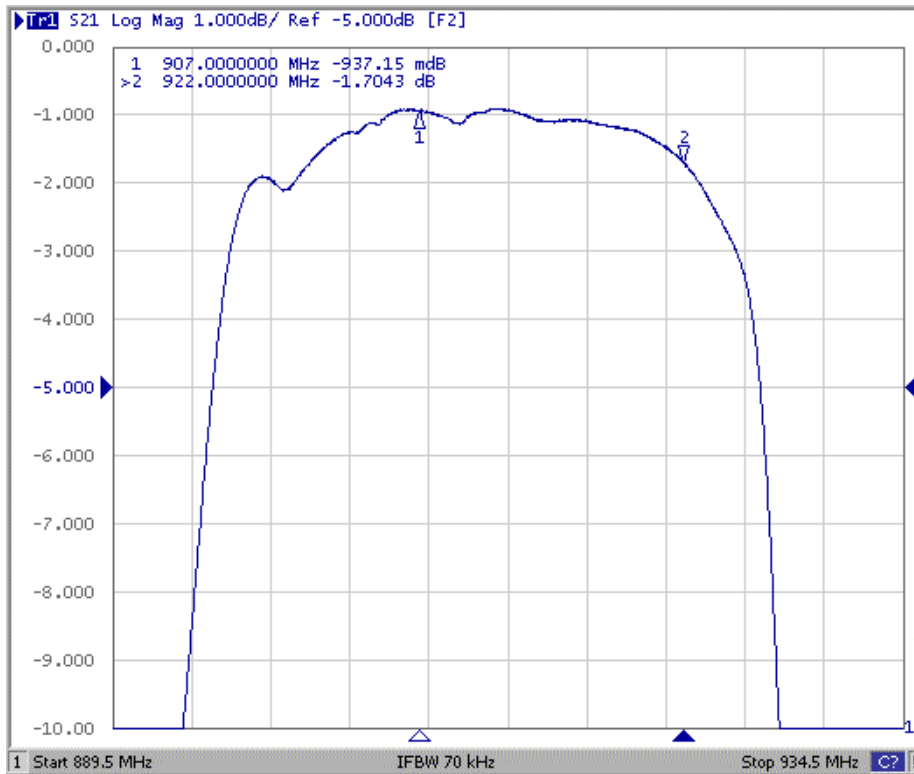
Item	Unit	Min.	Typ.	Max.
Center frequency <b>F<sub>c</sub></b>	MHz	-	914.5	-
Insertion Loss (907 ~ 922 MHz) <b>IL</b>	dB	-	1.7	3.0
Amplitude Ripple (907 ~ 922 MHz)	dB	-	0.8	1.5
Input/Output VSWR (907 ~ 922 MHz)	-	-	1.6	2.2
<b>Attenuation</b> (Reference level from 0 dB)				
0.3 ~ 890 MHz	dB	9	20	-
933 ~ 940 MHz	dB	30	46	-
940 ~ 960 MHz	dB	35	45	-
960 ~ 1500 MHz	dB	35	38	-

### C. MEASUREMENT CIRCUIT:

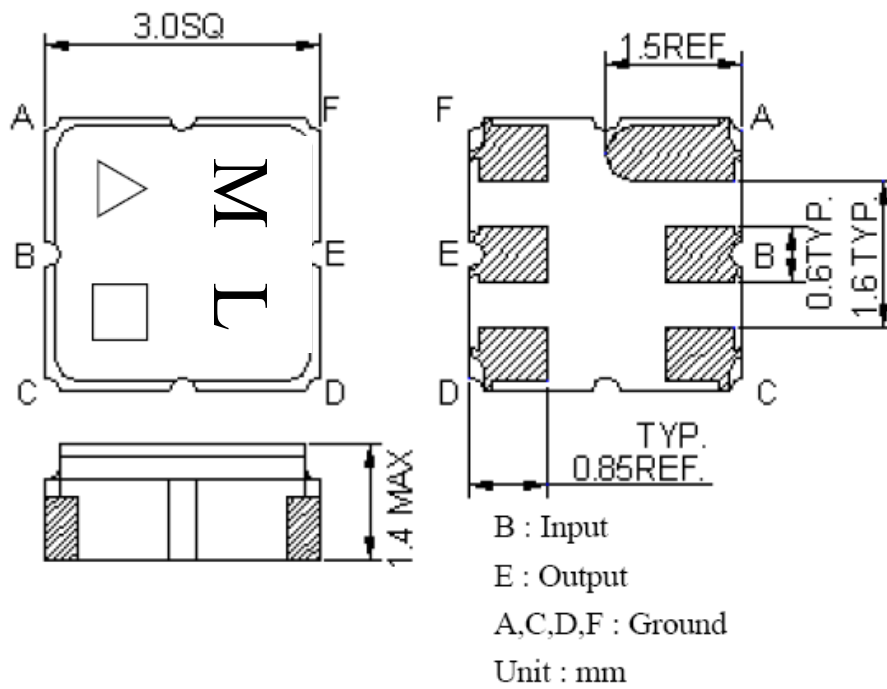
HP Network analyzer



## D. Frequency Characteristics :



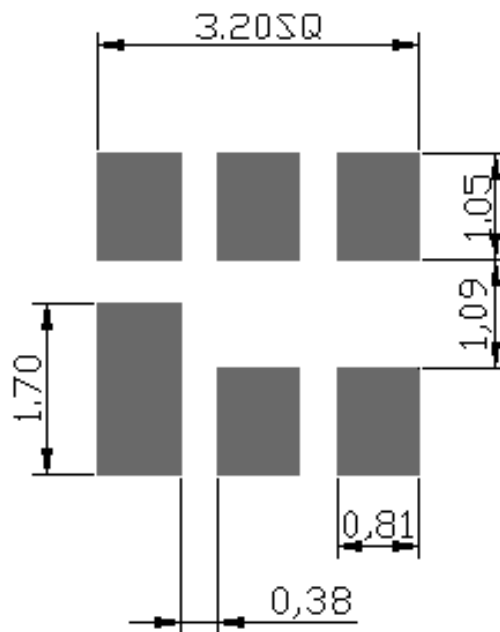
**E. OUTLINE DRAWING:**



△ : Year Code (2006->6, ..., 2009->9)

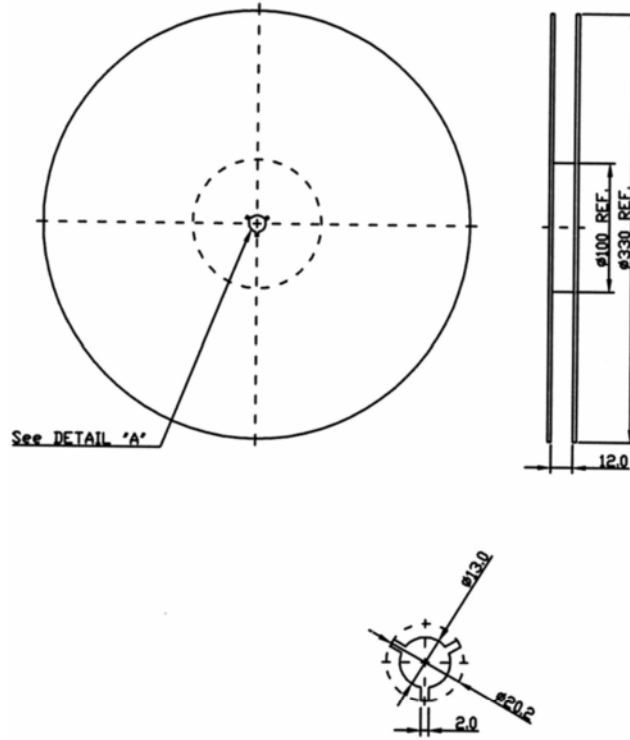
□ : Date Code (W01->A,W02->B,...W27->a,...,W52->z)

**F. PCB Footprint:**

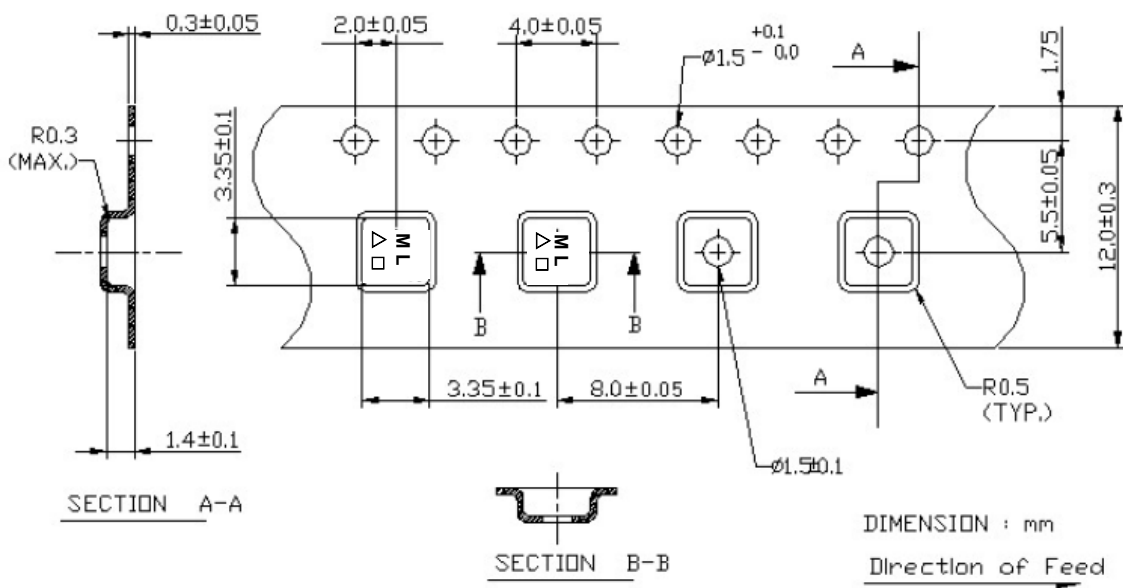


**G. PACKING:**

**1. REEL DIMENSION**



**2. TAPE DIMENSION**



## H. RECOMMENDED REFLOW PROFILE :

