



TAI-SAW TECHNOLOGY CO., LTD.

No. 3, Industrial 2nd Rd., Ping-Chen Industrial District,
Taoyuan, 324, Taiwan, R.O.C.

TEL: 886-3-4690038 FAX: 886-3-4697532

E-mail: tstsales@mail.taisaw.com Web: www.taisaw.com

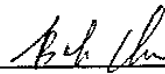
Product Specifications Approval Sheet

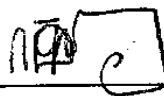
Product Description: SAW Filter 2544.5 MHz SMD 3.0X3.0 mm (BW=97MHz)

TST Part No.: TA1137A

Customer Part No.: _____

Customer signature required
Company: _____
Division: _____
Approved by : _____
Date: _____

Checked by: _____ Bob Chau 

Approved by: _____ Francis Chen 

Date: _____ 12, 16, 2009

1. Customer signed back is required before TST can proceed with sample build and receive orders.
2. Orders received without customer signed back will be regarded as agreement on the specifications.
3. Any specifications changes must be approved upon by both parties and a new revision of specifications shall be released to reflect the changes.



TAI-SAW TECHNOLOGY CO., LTD.

No. 3, Industrial 2nd Rd., Ping-Chen Industrial District,
Taoyuan, 324, Taiwan, R.O.C.

TEL: 886-3-4690038 FAX: 886-3-4697532

E-mail: tstsales@mail.taisaw.com Web: www.taisaw.com

SAW Filter 2544.5 MHz

MODEL NO.:TA1137A

REV. NO.:1

A. MAXIMUM RATING:

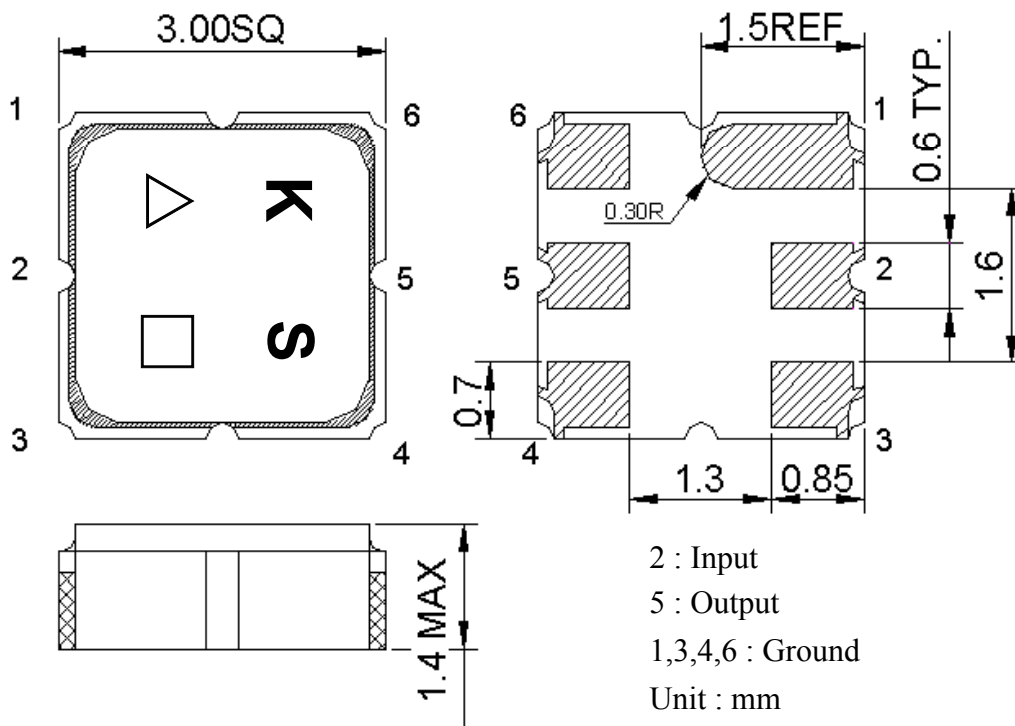
1. Input Power Level: 10 dBm
2. DC Voltage : 3V
3. Operating Temperature: -20°C to +70°C
4. Storage Temperature: -30°C to +85°C

RoHS Compliant
Lead free
Lead-free soldering

B. ELECTRICAL CHARACTERISTICS:

Item	Unit	Min.	Typ.	Max.	Note
Center Frequency Fc	MHz	-	2544.5	-	-
Insertion Loss (2496~2593 MHz) IL	dB	-	2.8	4	-
Amplitude Ripple (2496~2593 MHz)	dB	-	1.6	2.5	-
VSWR (2496~2593 MHz)		-	2	2.5	-
Attenuation (Reference level from 0 dB)					
DC ~ 2400 MHz	dB	25	28	-	-
2400 ~ 2445 MHz	dB	31	39	-	-
2445 ~ 2460 MHz	dB	15	25	-	-
2660 ~ 3800 MHz	dB	30	37	-	-
3800 ~ 5000 MHz	dB	15	25	-	-
Temperature Coefficient of Frequency	ppm/°C	-	-36	-	-

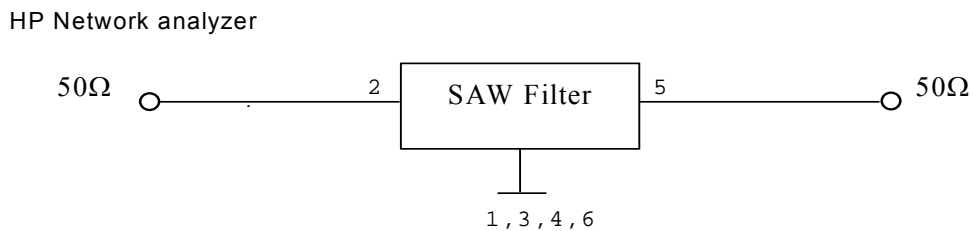
C.OUTLINE DRAWING:



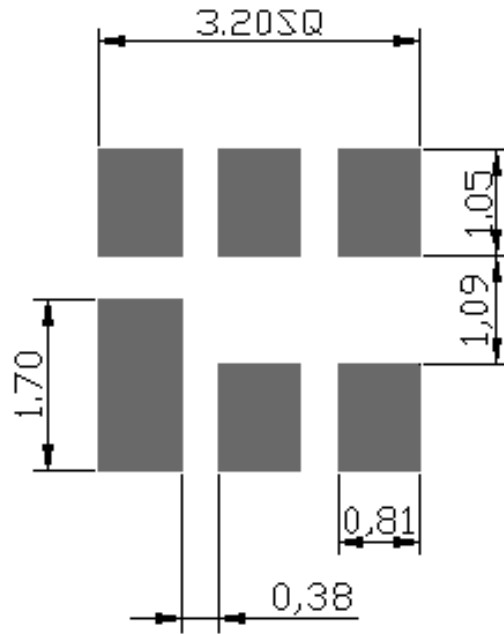
△ : Year Code (2006->6, ..., 2009->9)

□ : Date Code (W01->A,W02->B,...W27->a,...,W52->z)

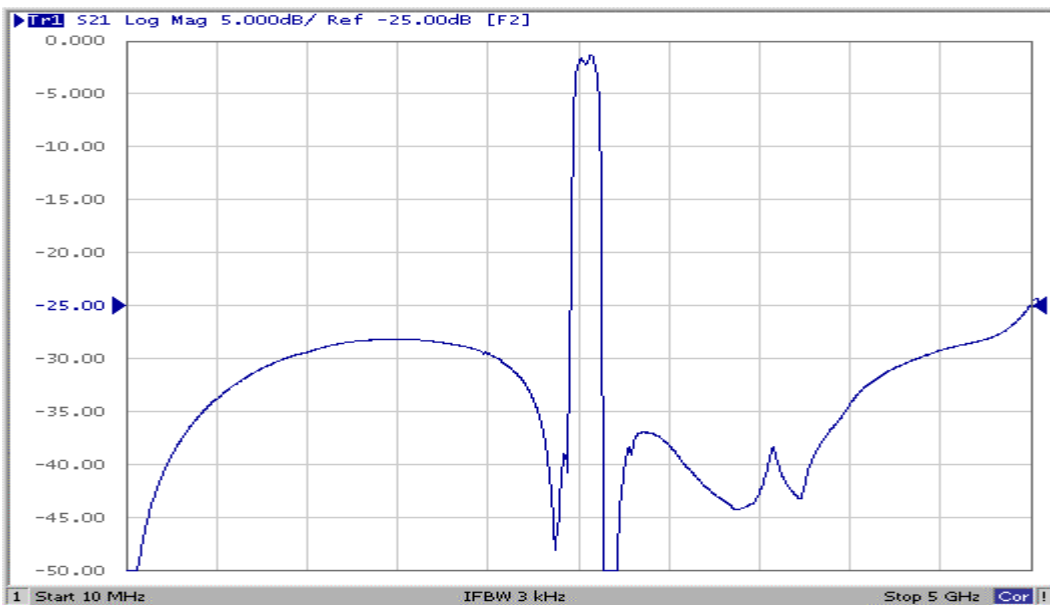
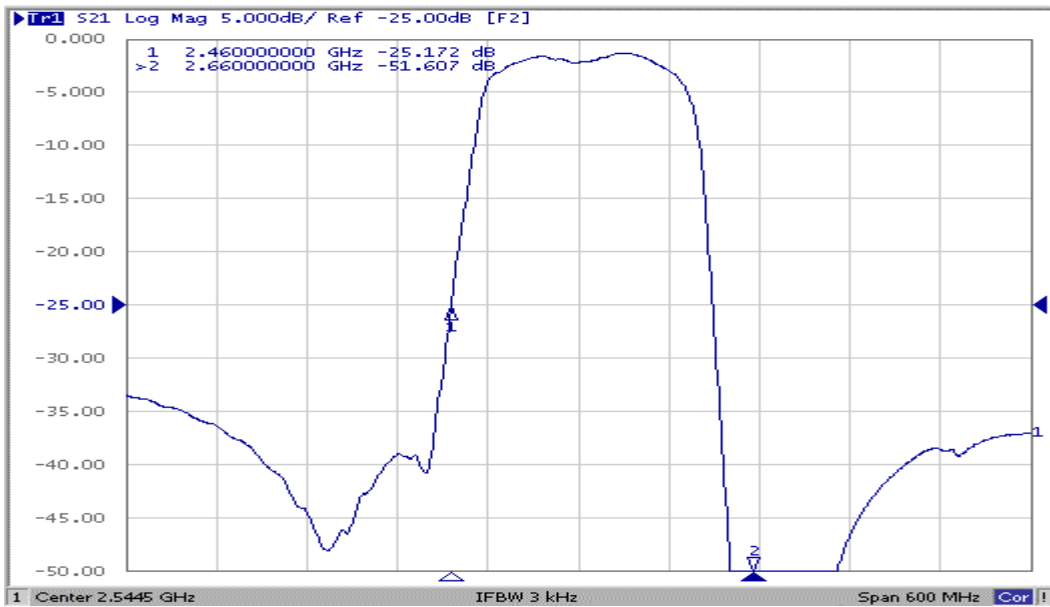
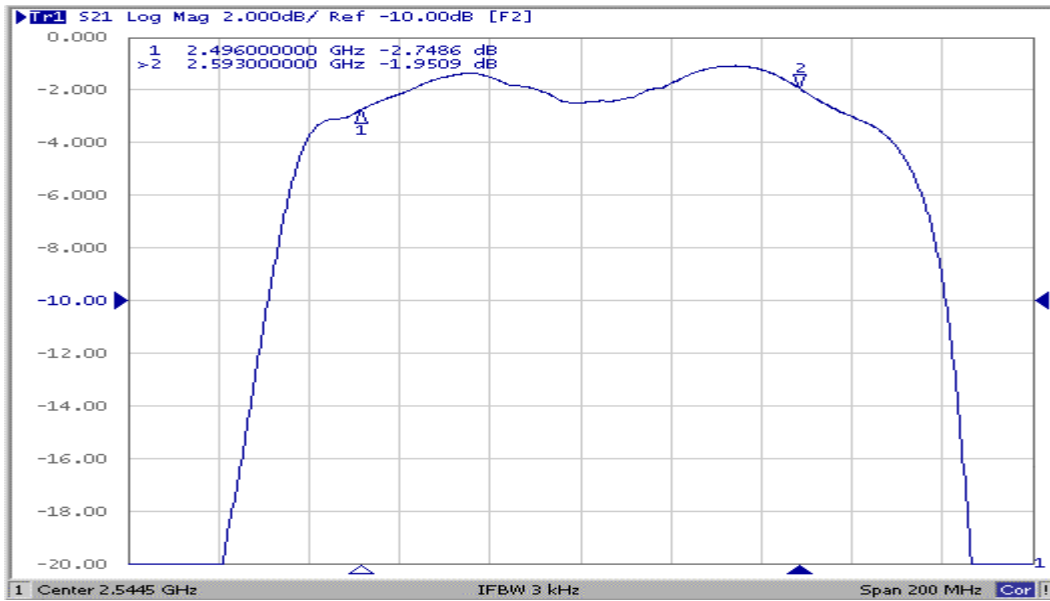
D. MEASUREMENT CIRCUIT:



E. PCB Footprint:

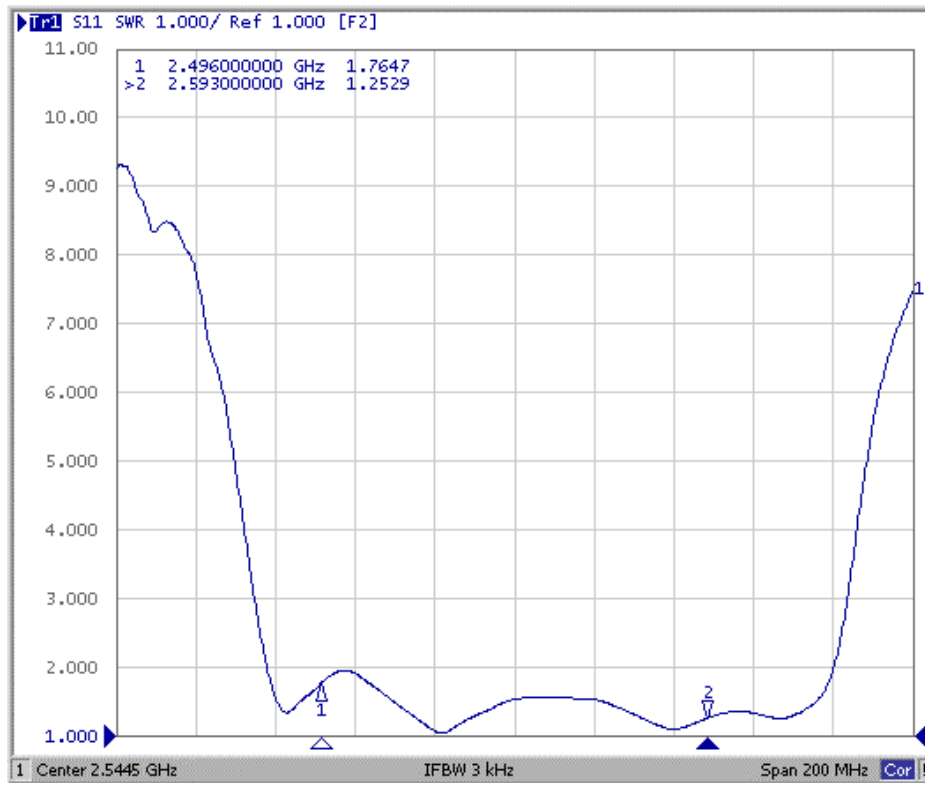


F. Frequency Characteristics :

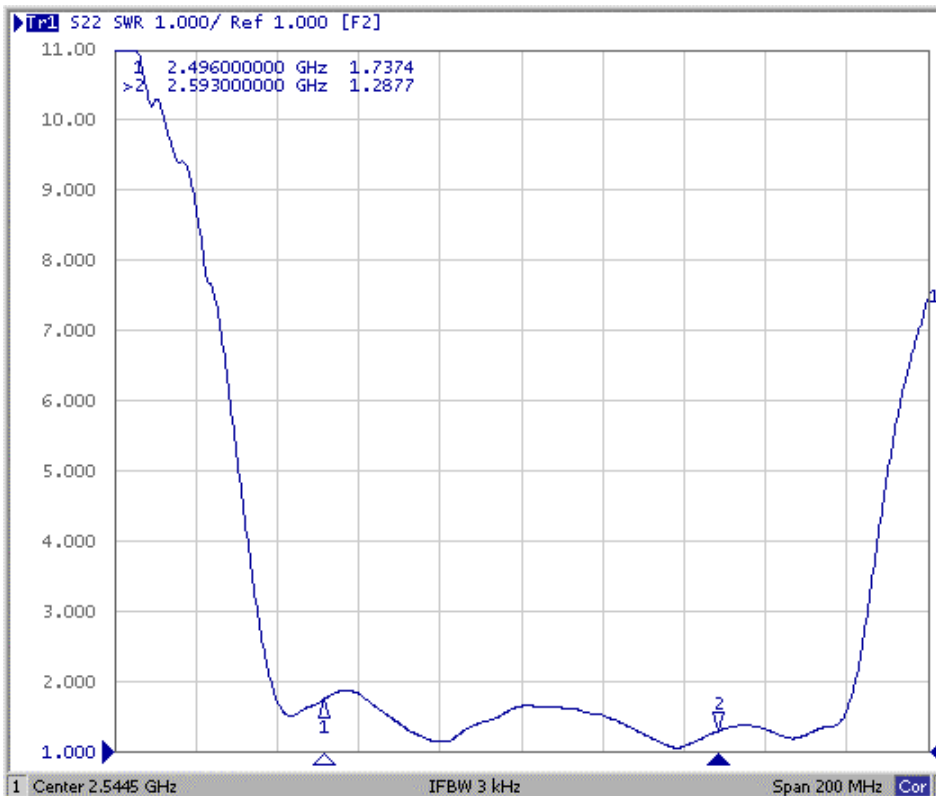


Reflection Functions :

S11



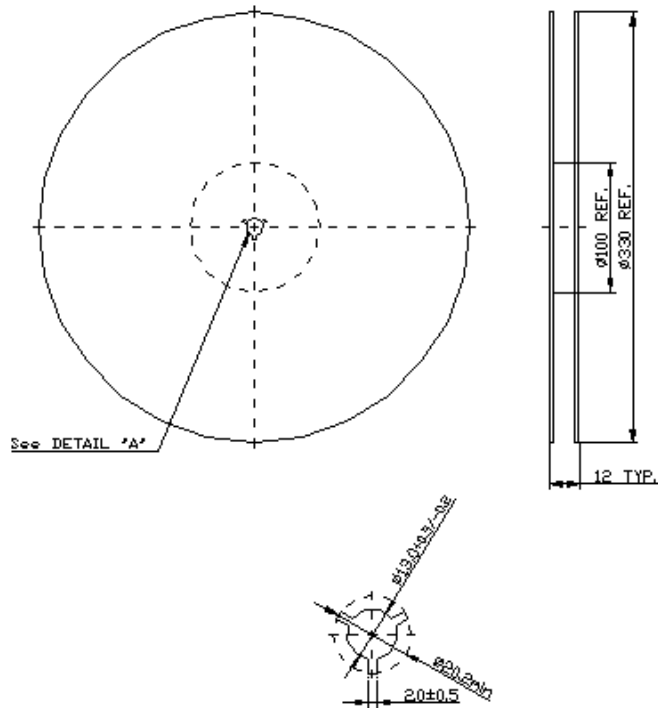
S22



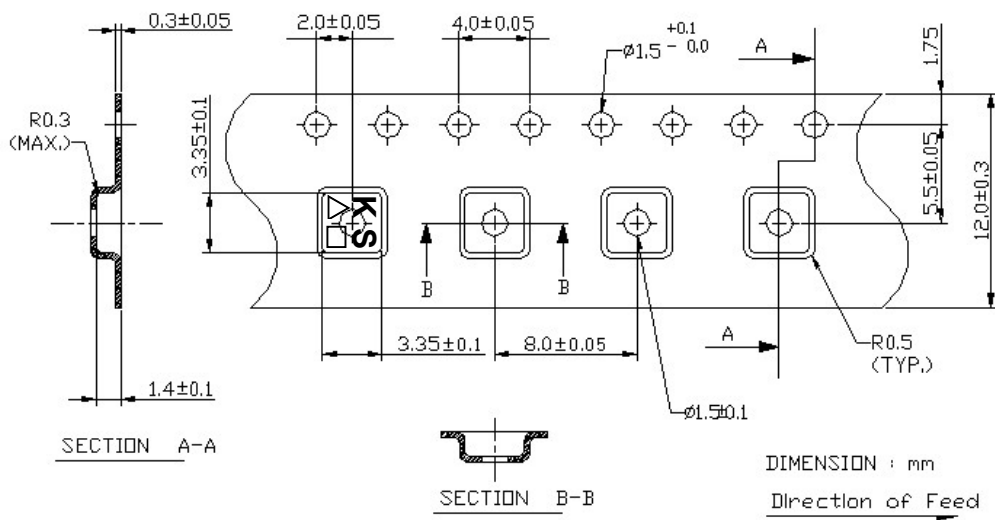
G. PACKING:

1. REEL DIMENSION

(Reel Count : 7"=1000 ; 13"=3000)



2. TAPE DIMENSION



H. RECOMMENDED REFLOW PROFILE :

