

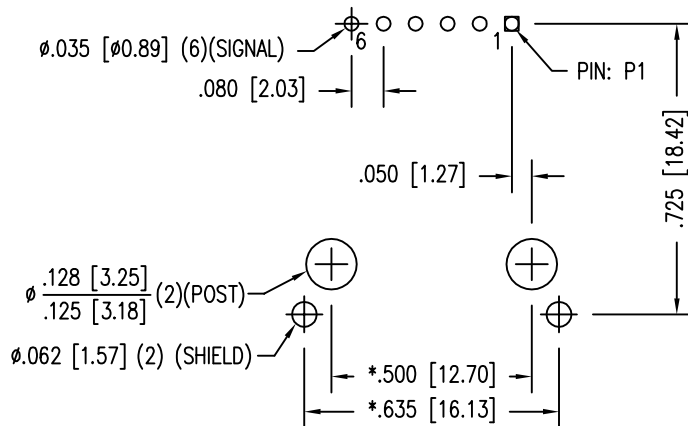
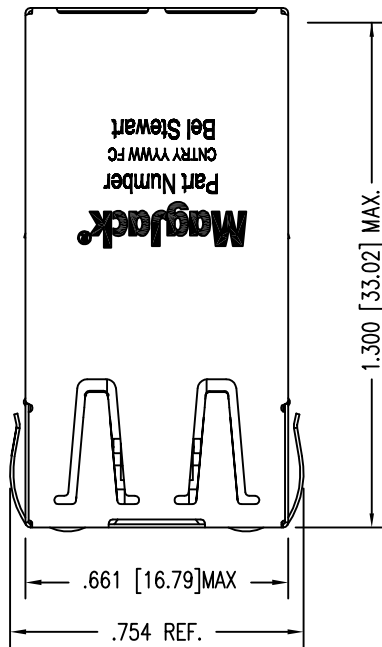
ELECTRICAL SPECIFICATIONS:

- | | | | |
|-----|---------------------------|------------------------------|-----------------------------|
| 1.0 | URNS RATIO: | (P2-P1) : (J2-J1) | : 1 : 2.42 ± 3% |
| | | (P4-P3) : (J5-J4) | : 1 : 2.42 ± 3% |
| 2.0 | INDUCTANCE: | (P2-P1) ; (P4-P3) | : 1.2mH MIN. @ 0.1V, 100KHz |
| 3.0 | LEAKAGE INDUCTANCE: | P2-P1 (WITH J2 AND J1 SHORT) | : 0.5 MAX. @ 1MHz |
| | | P3-P4 (WITH J5 AND J4 SHORT) | : 0.5 MAX. @ 1MHz |
| 4.0 | INTERWINDING CAPACITANCE: | (P2,P1) TO (J2,J1) | : 35pf MAX @ 1MHz |
| | | (P3,P4) TO (J5,J4) | : 35pf MAX. @ 1MHz |
| 5.0 | DC RESISTANCE: | (P3-P4) ; (P2-P1) | : .8 ohms Max. |
| 6.0 | DIELECTRIC WITHSTAND: | (P3-P4) TO (J5-J4) | : 1500VAC |
| | | (P2-P1) TO (J2-J1) | : 1500VAC |
| 7.0 | RETURN LOSS : | (J1-J2 & J4-J5) 100 OHM REF. | |
| | | 51KHz TO 102KHz | : 12dB MIN |
| | | 102KHz TO 2.048MHz | : 18dB MIN |
| | | 2.048MHz TO 3.072MHz | : 14dB MIN |

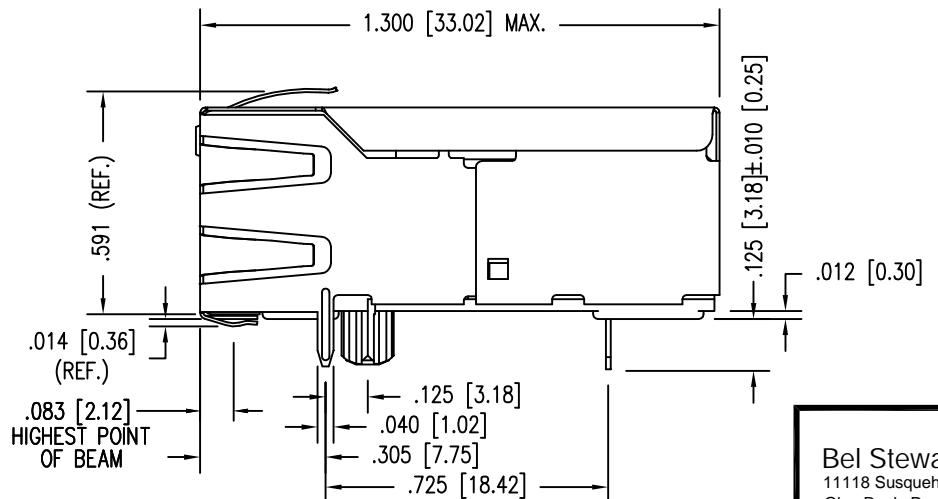
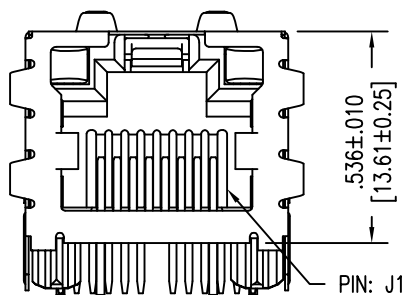
NOTE: 17 OHMS CONNECTED TO PINS P1-P2 & P3-P4

NOT
1.0
CON

Bel Stewart C
11118 Susquehanna
Glen Rock, Pa 1732
717.234.7512



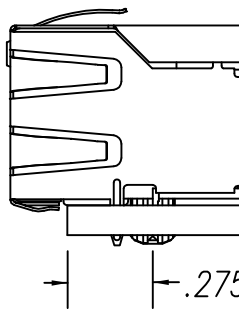
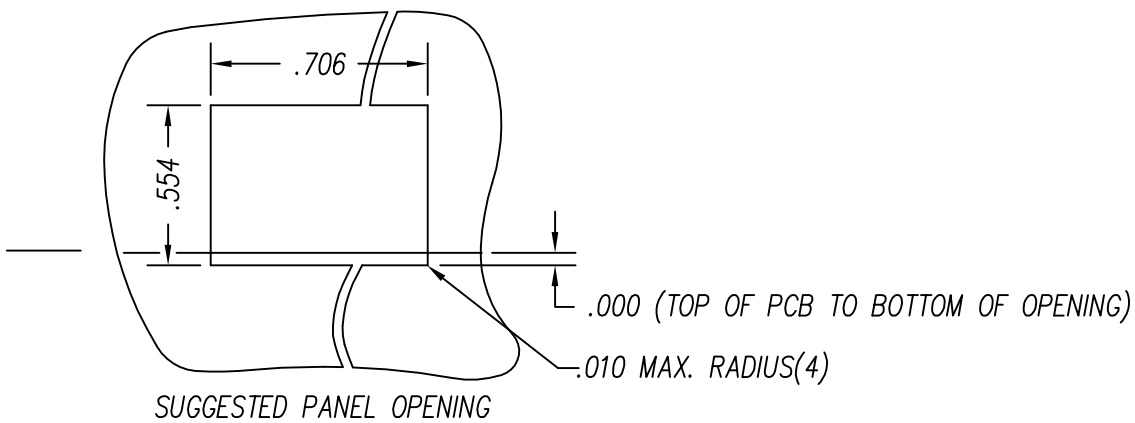
P.C.B. RECOMMENDED HOLE LAYOUT
SEEN FROM COMPONENT SIDE
TOLERANCE $\pm 0.003 [0.08]$ UNLESS OTHERWISE SPECIFIED



NOTES:

1. CONNECTOR MATE
- HOUSING: THERM
- CONTACT/SHIELD:
- SHIELD PLATING:
- CONTACT PLATING

2. PIN NOT ELECTRICAL
- SEE ELECTRICAL L
3. TOLERANCES COM
4. THE SUGGESTED P
- USER THE ABILITY
- CLEARANCES, YET
5. SOLDER REFLOW C



THE SUGGESTED PANEL OPENING IS INTENDED TO GIVE THE USER A REASONABLE JACKING CAPABILITY YET MAINTAIN RELIABILITY.

CT720034X1/24-0259

THIS DRAWING AND THE SUBJECT MATTER SHOWN THEREON ARE CONFIDENTIAL AND PROPERTY OF BEL STEWART CONNECTOR AND SHALL NOT BE REPRODUCED, COPIED, OR USED IN ANY MANNER WITHOUT PRIOR WRITTEN CONSENT OF BEL STEWART CONNECTOR. THE SUBJECT MATTER MAY BE PATENTED OR A PATENT MAY BE PENDING.

Bel Stewart Connector
 11118 Susquehanna
 Glen Rock, Pa 17322
 717.234.7512

SHEET
 3 OF 3